



REV DATE : 10/05/2010

SELECTION MADE SIMPLE.
www.americanheritagebilliards.com

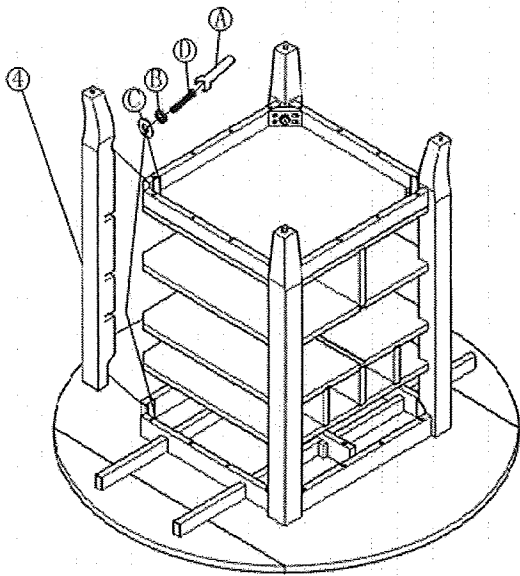
ASSEMBLY INSTRUCTIONS

Somerset pub table-SD/BLK

LOOSELY ATTACH EACH SCREW UNTIL FRAME IS ASSEMBLED THEN TIGHTEN WHEN COMPLETE

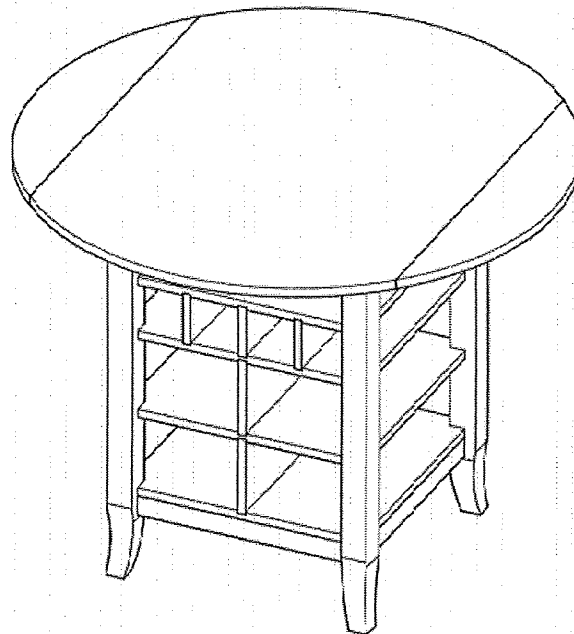
9

STEP:9



10

STEP:10



HARDWARE PACK

MADE IN CHINA

CHECK THAT THE FOLLOWING PARTS ARE IN CARTON

A



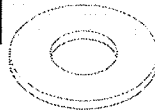
Wrench
1pcs

B



Lock washer
Dia5/16" 12pcs

C



Flat washer
Dia5/16" 12pcs

D



Bolt
Dia5/16"X2-1/2"L 12pcs



REV DATE : 10/05/2010

SELECTION MADE SIMPLE.
www.americanheritagebilliards.com

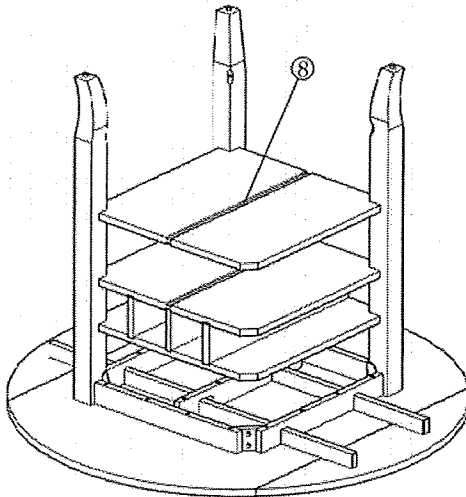
ASSEMBLY INSTRUCTIONS

Somerset pub table-SD/BLK

LOOSELY ATTACH EACH SCREW UNTIL FRAME IS ASSEMBLED THEN TIGHTEN WHEN COMPLETE

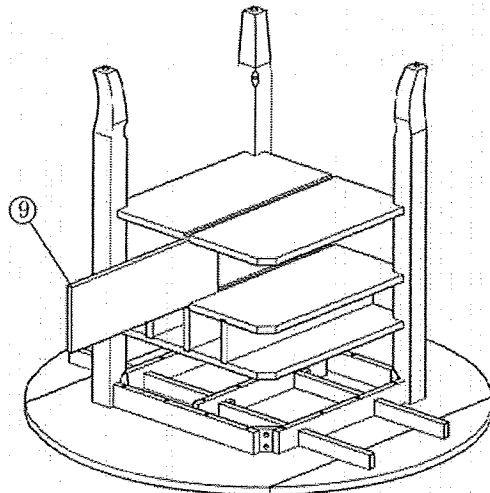
5

STEP:5



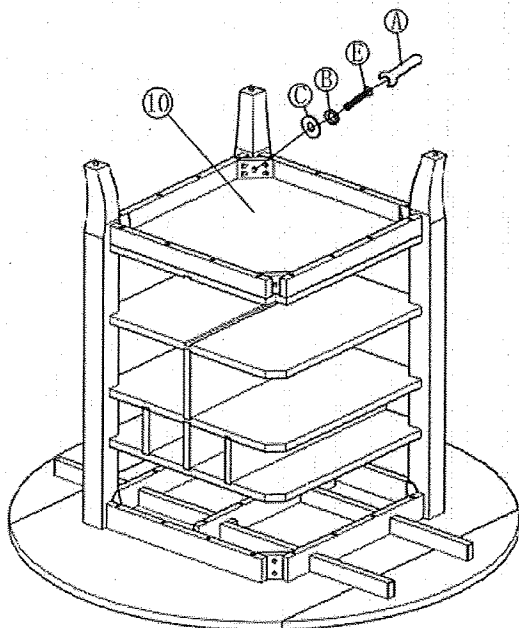
6

STEP:6



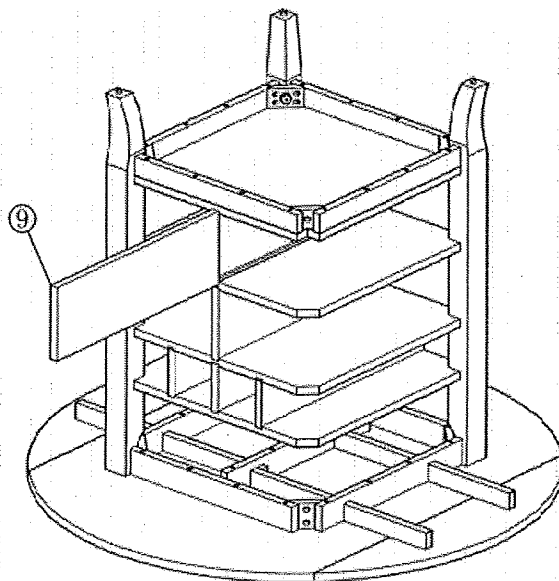
7

STEP:7



8

STEP:8





REV DATE : 10/05/2010

SELECTION MADE SIMPLE.
www.americanheritagebilliards.com

ASSEMBLY INSTRUCTIONS

Somerset pub table-SD/BLK

LOOSELY ATTACH EACH SCREW UNTIL FRAME IS ASSEMBLED THEN TIGHTEN WHEN COMPLETE

1. Place the table top upside down on a flat surface , attach 3 legs 1,2,3 to table top using bolts D , lock washers B , flat washers C and Wrench A . Do not tighten yet .
2. Attach the top shelf 5 to legs as shown in the diagram 2 .
3. Attach the middle shelf 6 to legs as shown in the diagram 3 .
4. Insert the uprights 7 between the top shelf and middle shelf as shown .
5. Put the bottom shelf 8 in place as shown in the diagram 5 .
6. Insert one upright 9 between middle shelf and bottom shelf as shown .
7. Attach the bottom panel to legs by using bolt D , lock washers B , flat washers C and Wrench A . Do not tighten yet .
8. Insert the other upright 9 in place between bottom shelf and bottom panel .
9. Attach the 4th leg to table top and bottom panel by using using bolt D , lock washer B , flat washer C and Wrench A . Tighten all bolts now .
10. Put the table upright , assembly is complete now .