

130713 SI-V01

REV Date: 08 / 04 / 2007



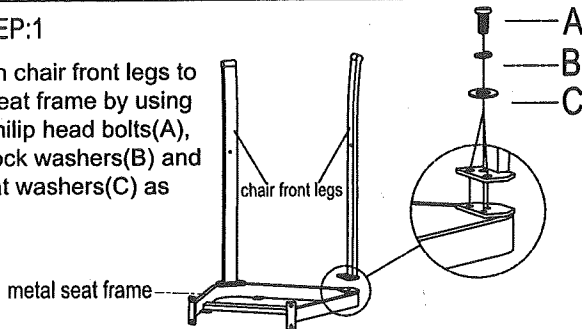
SELECTION MADE SIMPLE.
www.americanheritagebilliards.com

ASSEMBLY INSTRUCTIONS ALEXA BAR STOOL

LOOSELY ATTACH EACH SCREW UNTIL FRAME IS ASSEMBLED THEN TIGHTEN WHEN COMPLETE

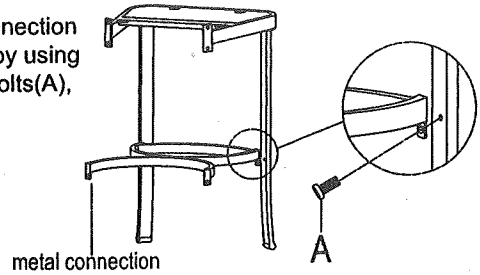
1 STEP:1

1) Attach chair front legs to metal seat frame by using 6pcs Philip head bolts(A), 6pcs Lock washers(B) and 6pcs flat washers(C) as shown.



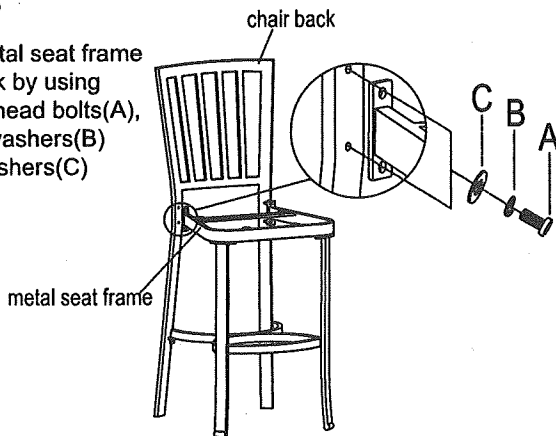
2 STEP:2

2) Attach metal connection to chair front legs by using 2pcs Philip head bolts(A), as shown.



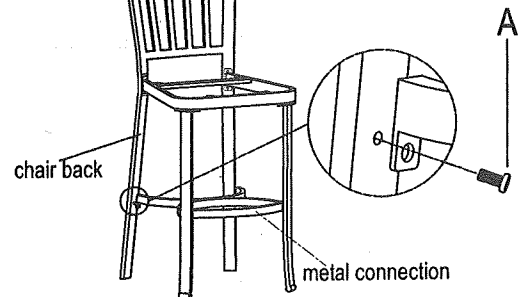
3 STEP:3

3) Attach metal seat frame to chair back by using 4pcs Philip head bolts(A), 4pcs Lock washers(B) 4pcs flat washers(C) as shown.



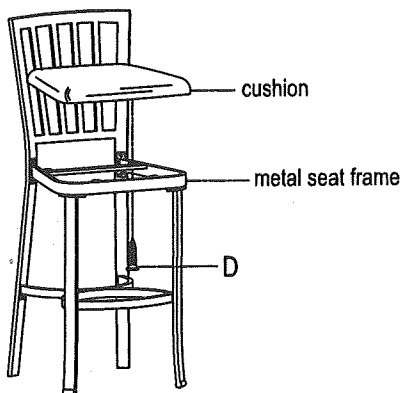
4 STEP:4

4) Attach metal connection to chair back by using 2pcs Philip head bolts(A), as shown.



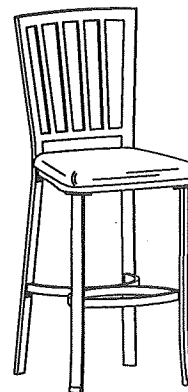
5 STEP:5

5) Attach cushion to metal seat frame by using 4pcs screws(D)



6 STEP:6

6) Assembly is complete



HARDWARE PACK

MADE IN CHINA

CHECK THAT THE FOLLOWING PARTS ARE IN CARTON

A



Philip head bolt
1/4"×12mm 14PCS

B



LOCK WASHER
1/4" 10PCS

C



FLAT WASHER
Ø16×1.2mm 10PCS

D



SCREW
Ø5×25mm 4PCS