



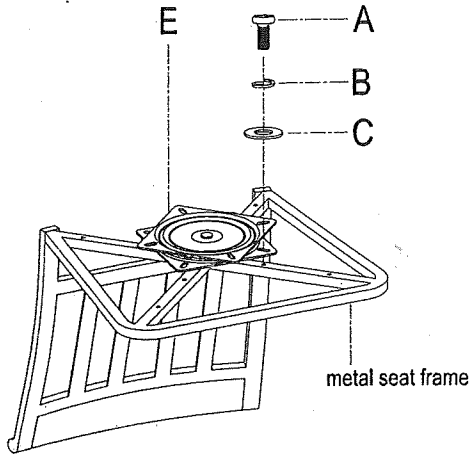
SELECTION MADE SIMPLE.  
www.americanheritagebilliards.com

# ASSEMBLY INSTRUCTIONS LANCASTER BAR STOOL

LOOSELY ATTACH EACH SCREW UNTIL FRAME IS ASSEMBLED THEN TIGHTEN WHEN COMPLETE

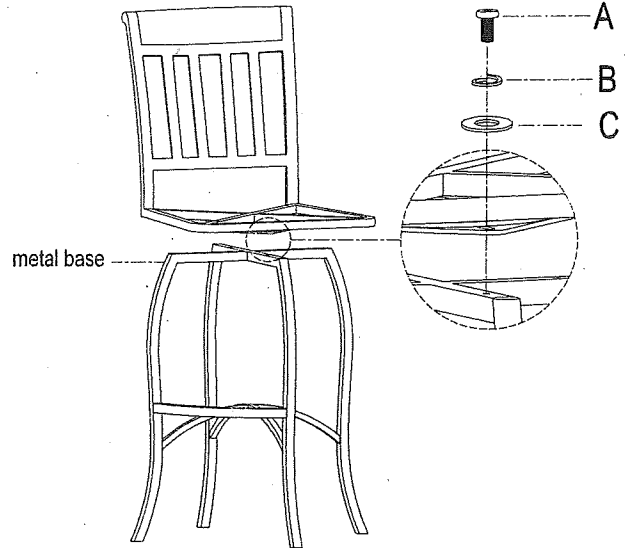
## 1 STEP:1

1) Attach swivel plate(E) to metal seat frame by using 4pcs Philip head bolts(A), 4pcs Lock washers(B) and 4pcs flat washers(C) as shown.



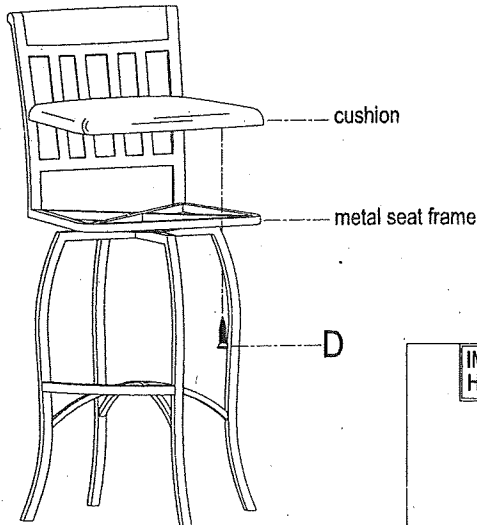
## 2 STEP:2

2) Attach swivel plate(E) to metal base by using 4pcs Philip head bolts(A), 4pcs Lock washers(B) and 4pcs flat washers(C) as shown.



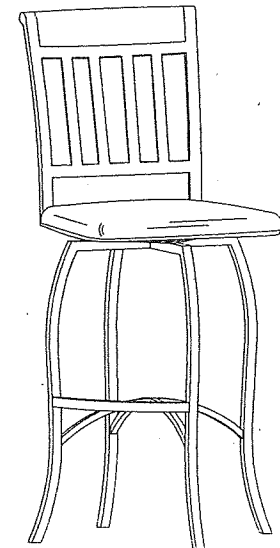
## 3 STEP:3

3) Attach cushion to metal seat frame by using 4pcs screws(D)



## 4 STEP:4

4) Assembly is complete



IMPORTANT NOTE:  
HARDWARE PACK LOCATON



Hardware Box

HARDWARE PACK

MADE IN CHINA

CHECK THAT THE FOLLOWING PARTS ARE IN CARTON

A



Philip head bolt  
1/4"×15mm 8PCS

B



LOCK WASHER  
1/4" 8PCS

C



FLAT WASHER  
Ø16×1.2mm 8PCS

D



SCREW  
Ø5×40mm 4PCS

E



SWIVEL PLATE  
170×170×22mm 1PC