

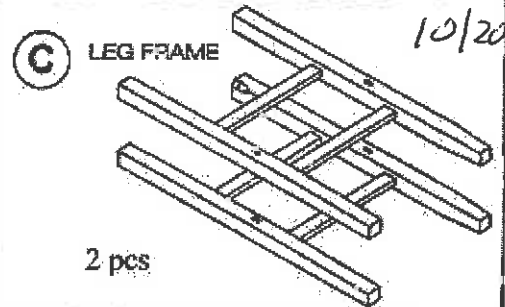
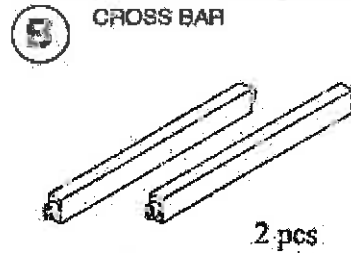
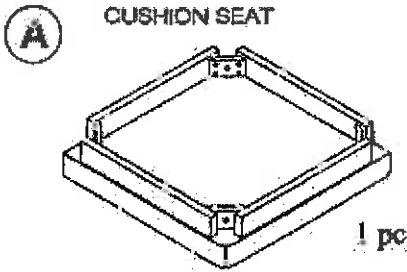
# ASSEMBLY INSTRUCTION

## ASSEMBLY TIPS :

*UP DATED Jensen info 10/20/12*

Remove hardware from box and sort by size. Please check to see that all hardware and parts pieces are present before assembling. Follow instructions listed below in the proper sequence as numbered to assure fast, easy and correct assembly.

## PARTS LIST



## HARDWARE PACKAGE

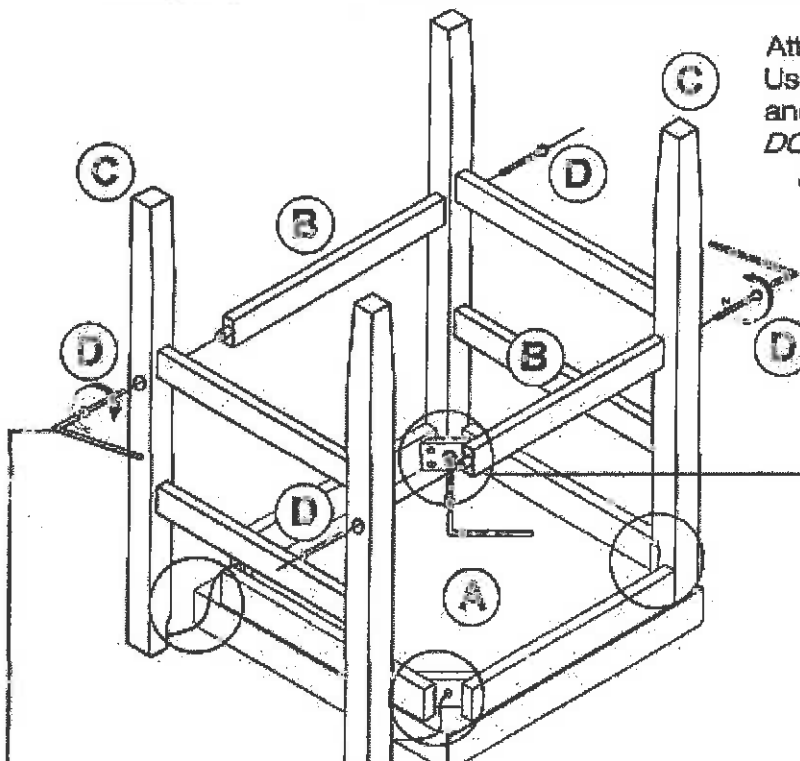
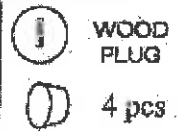
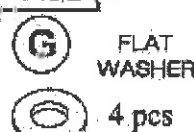
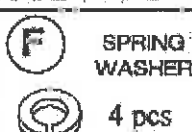
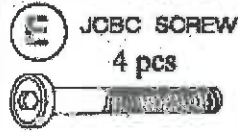
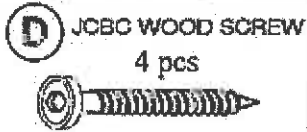
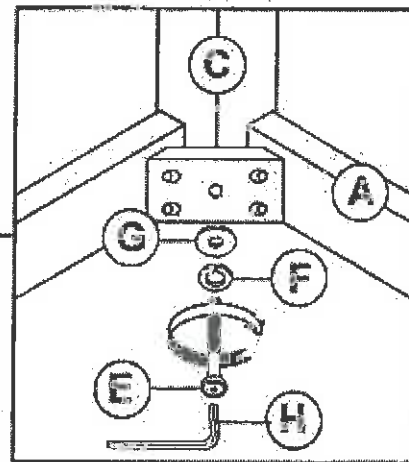


Diagram 2A

**STEP 1 :**  
Attached Leg Frame (C) to the Cushion Seat (A). Using JOBC Screw (E), Spring Washer (F) and Flat Washer (G) Tighten with Allen Key (H). **DO NOT FULLY TIGHTEN.**  
Refer to Diagram 1A

Diagram 1A



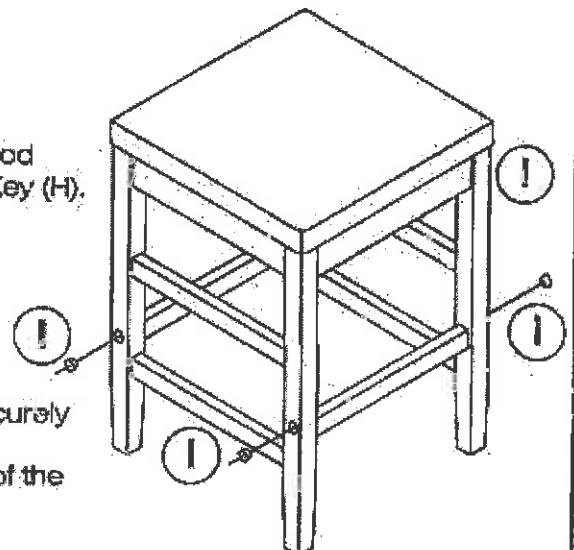
## STEP 2 :

Attached Cross Bar (B) to the Leg Frame (C) with JOBC Wood Screw (D) Tighten with Allen Key (H). **DO NOT FULLY TIGHTEN.**

Refer to Diagram 2A

## STEP 3 :

Turn chair upright and securely tighten all screws. Insert Wood Plug (I) in all of the screws holes.

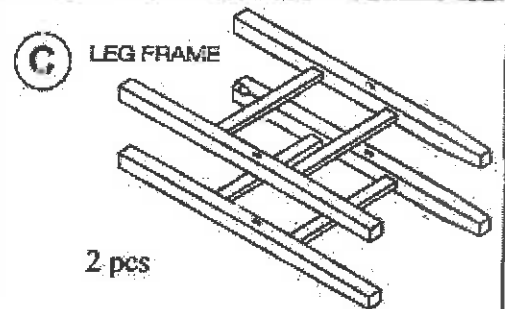
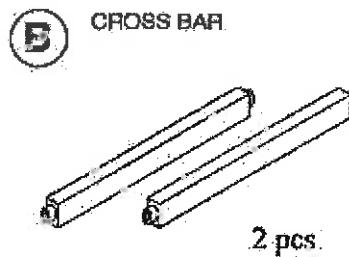
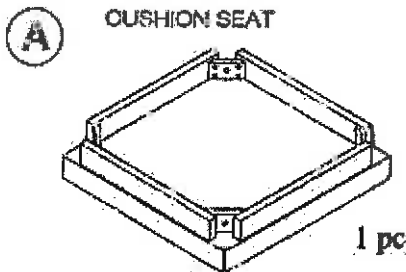


# ASSEMBLY INSTRUCTION

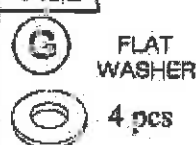
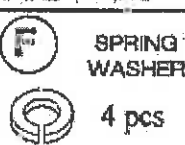
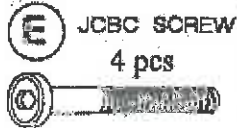
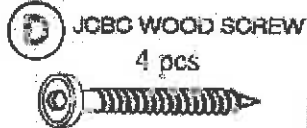
## ASSEMBLY TIPS :

Remove hardware from box and sort by size. Please check to see that all hardware and parts pieces are present before assembling. Follow instructions listed below in the proper sequence as numbered to assure fast, easy and correct assembly.

### PARTS LIST



### HARDWARE PACKAGE



### STEP 1 :

Attached Leg Frame (C) to the Cushion Seat (A). Using JOBCO Screw (E), Spring Washer (F) and Flat Washer (G) Tighten with Allen Key (H). **DO NOT FULLY TIGHTEN.**

Refer to Diagram 1A

Diagram 1A

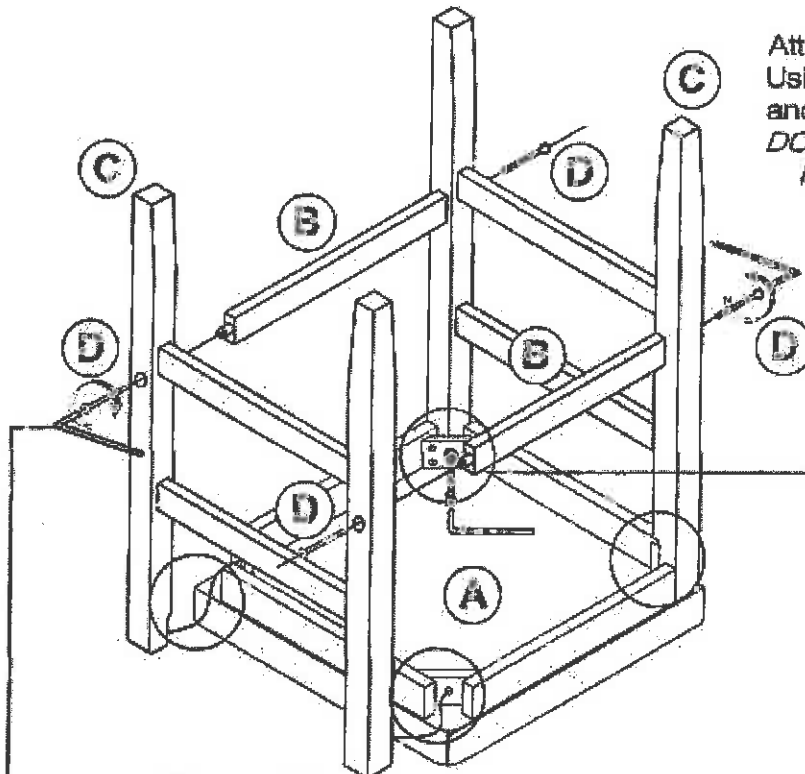
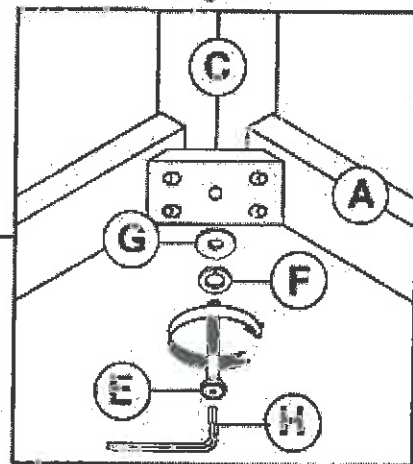


Diagram 2A

### STEP 2 :

Attached Cross Bar (B) to the Leg Frame (C) with JOBCO Wood Screw (D) Tighten with Allen Key (H). **DO NOT FULLY TIGHTEN.**

Refer to Diagram 2A

### STEP 3 :

Turn chair upright and securely tighten all screws. Insert Wood Plug (I) in all of the screws holes.

