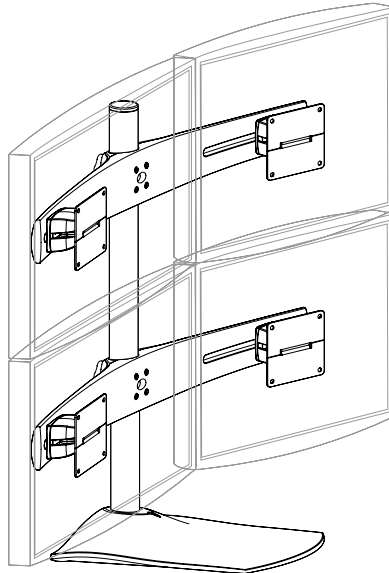

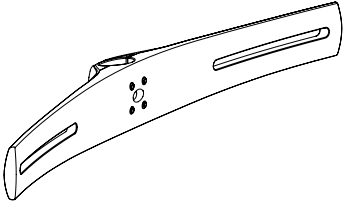
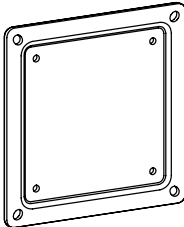
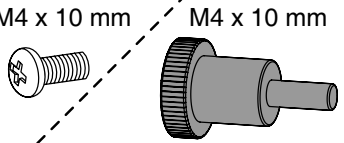

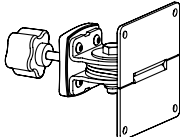
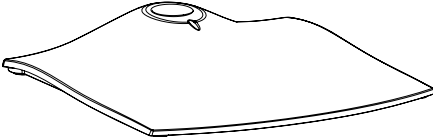
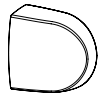


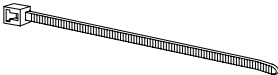

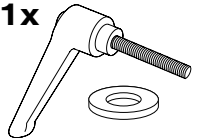



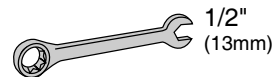
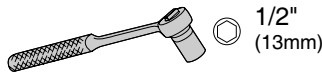
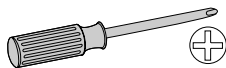
DS100 Series Quad Monitor Desk Stand

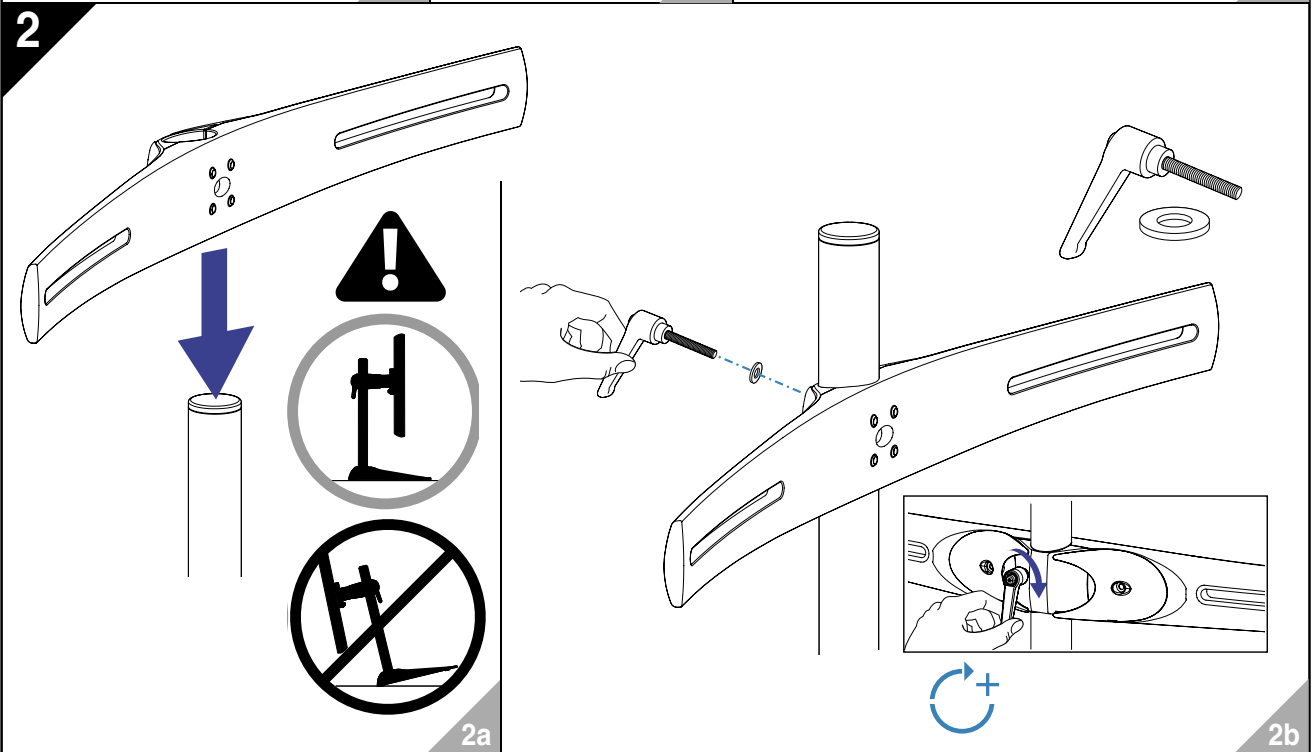
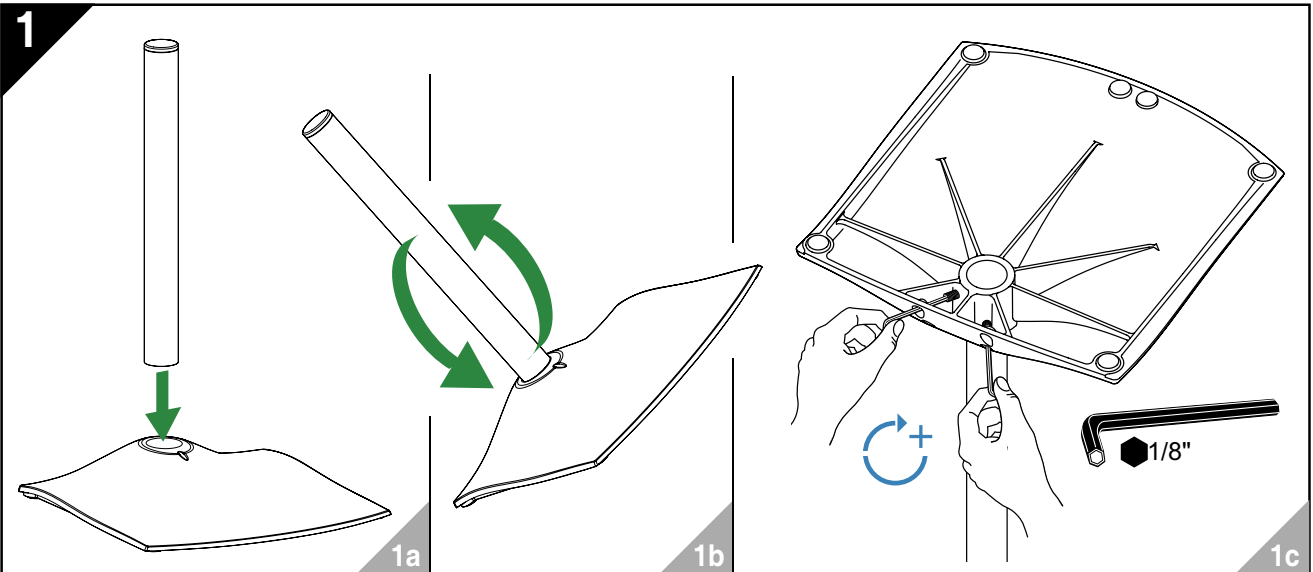


Ergotron USA 1-800-383-1916
Ergotron Europe +31 20 312.29.39

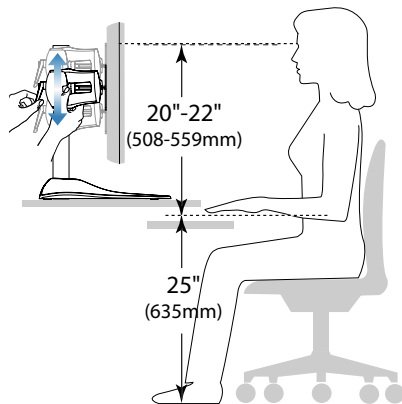


	A	B	C	D
1	1x 	2x 	4x  75-100mm	M4 x 10 mm M4 x 10 mm  #8-32 3/32" 
2		4x 	1x 	
3		8x 	1x  1/8" 	
4		8x 	3x 	1x  





Ergonomics
Ergonomía
Ergonomie
Ergonomi



888-99-014

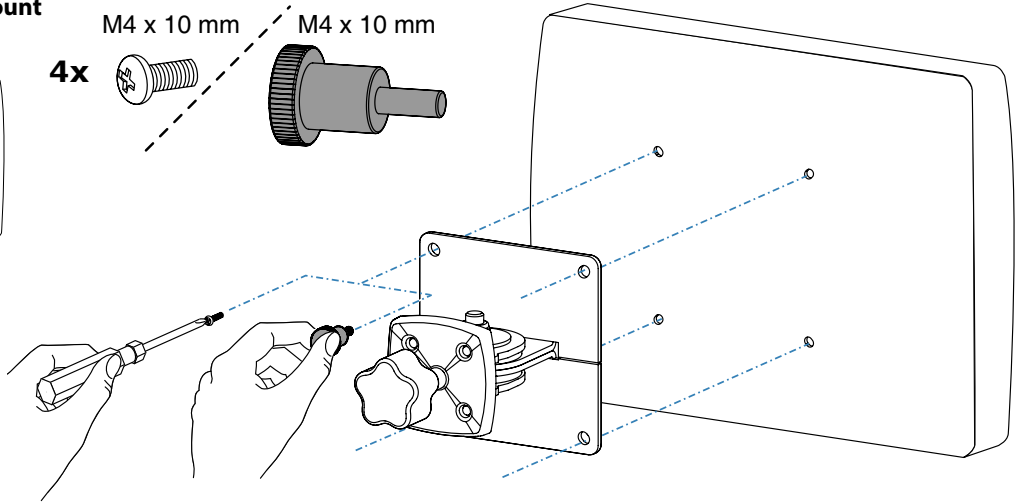
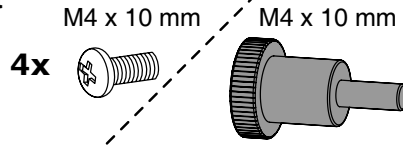
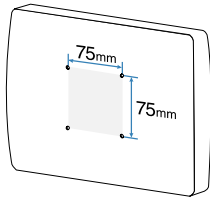
2c

3

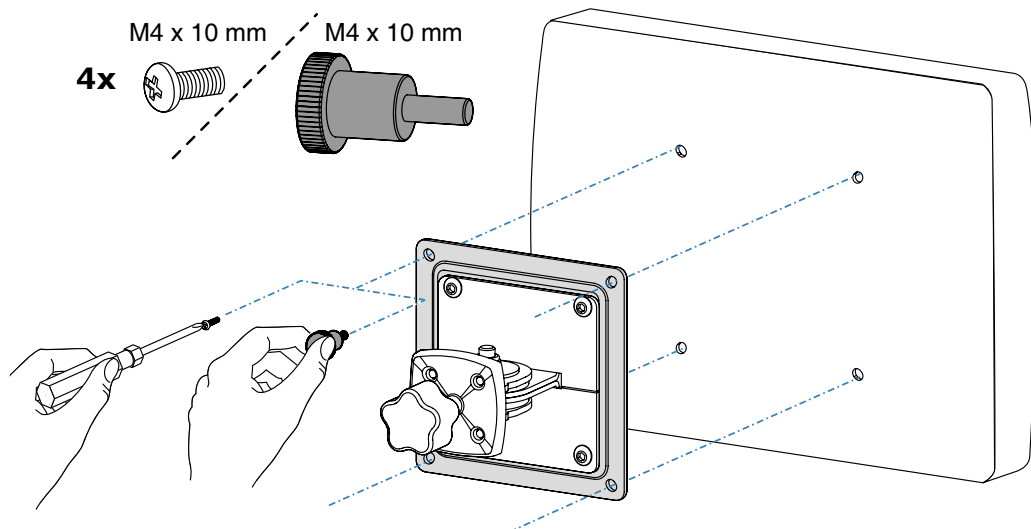
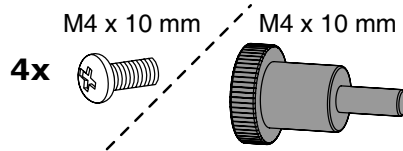
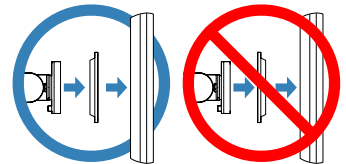
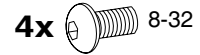
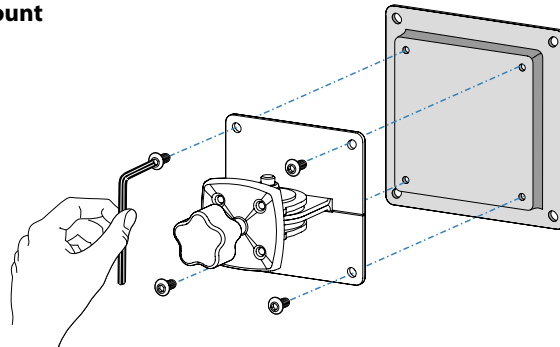
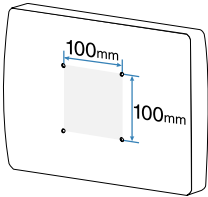


If your monitor uses a screw size other than M4 x 10mm, DO NOT use the M4 x 10mm screws or knob provided as they could result in damage to the monitor.

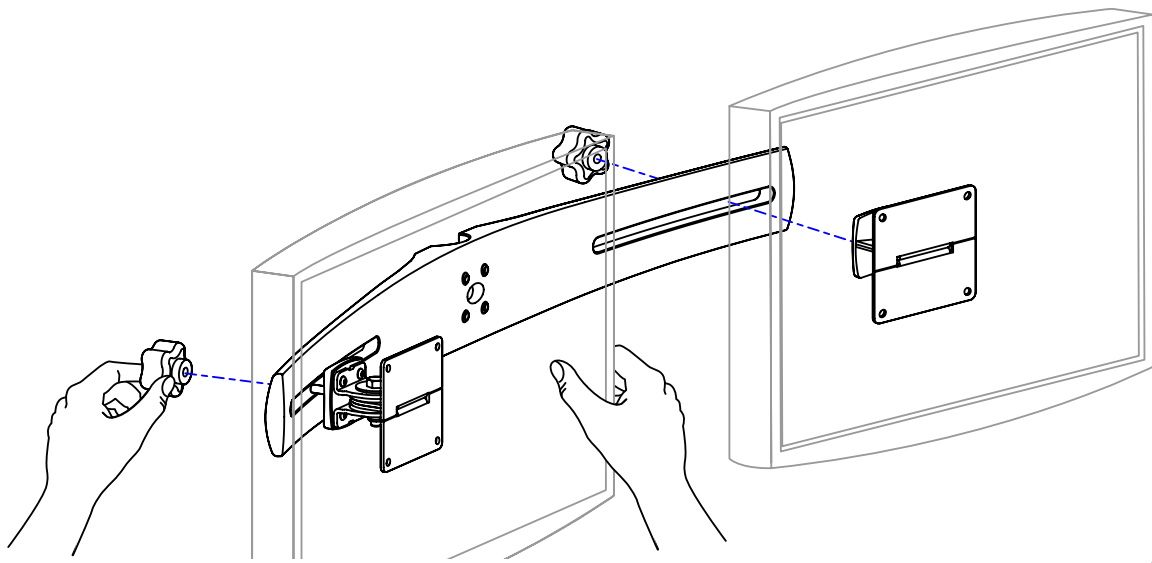
75mm Monitor Mount



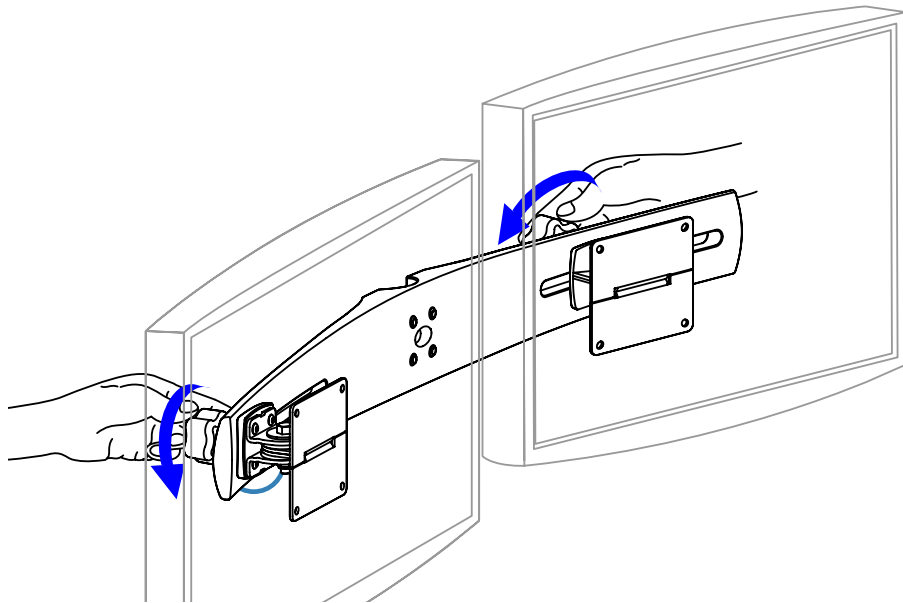
100mm Monitor Mount



4

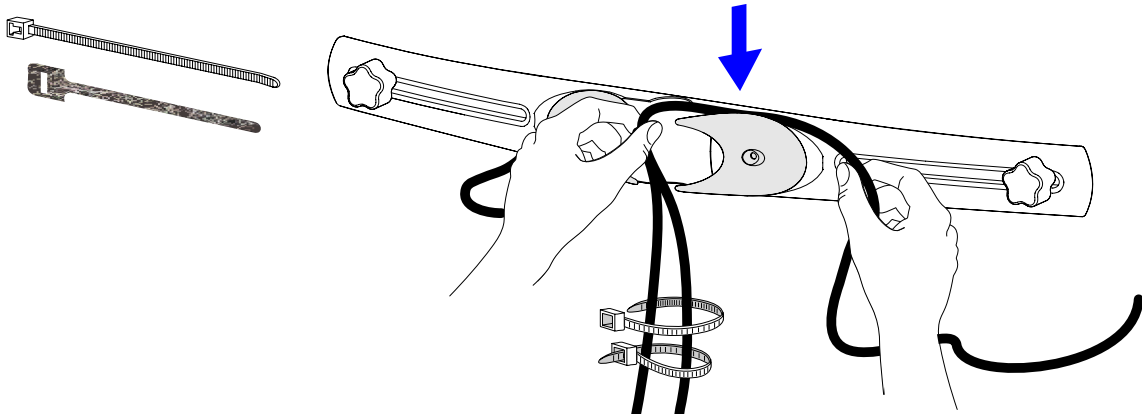


4a



4b

5



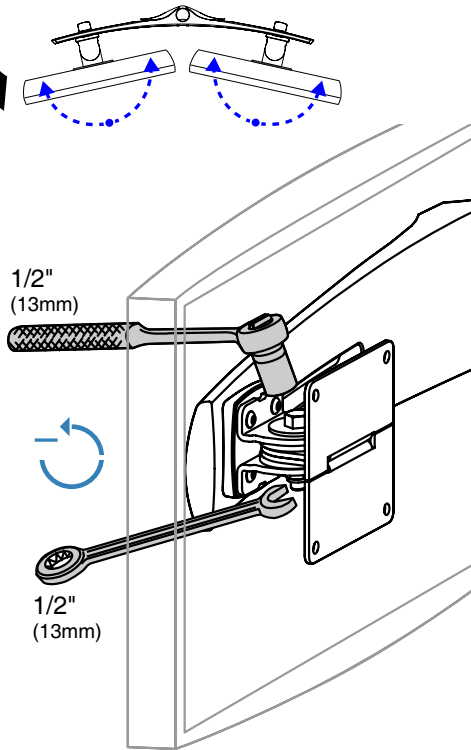
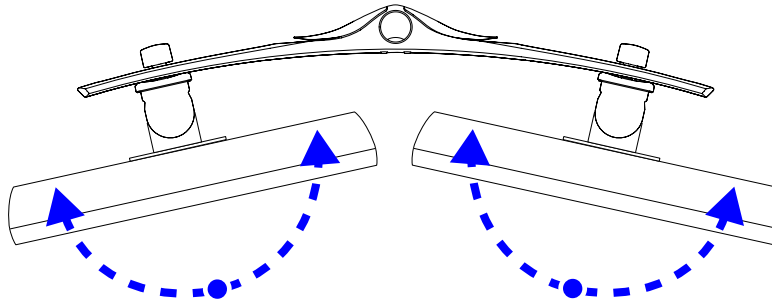
6



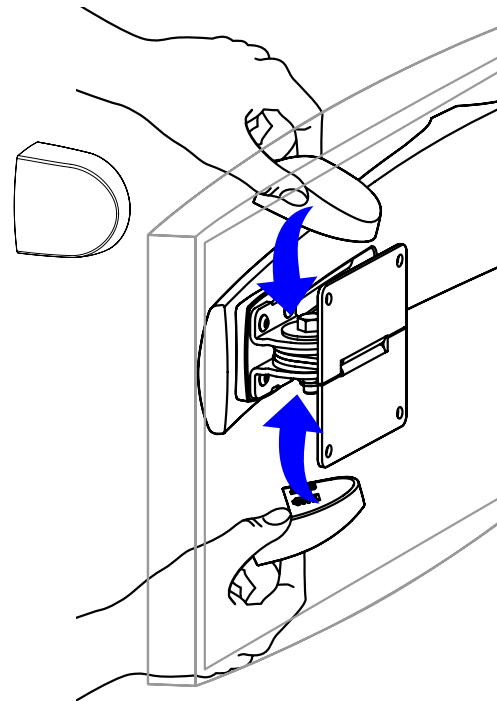
Adjustment
Justering
Justierung
Ajustement
Bijstelling
Ajuste
Regolazione

OVERVIEW

Ergotron's DS100 Series Pivots are factory-set to provide positive pivot control and a smooth moving force throughout the entire pivot range of motion. To customize your installation, you will evaluate the operation of each Pivot function by moving the monitor through its full range of movement. If excessive force is required to pivot the monitor or if the monitor does not stay in the desired position, pivot adjustment is required. Adjust for a controlled motion of the monitor over the entire range of travel.



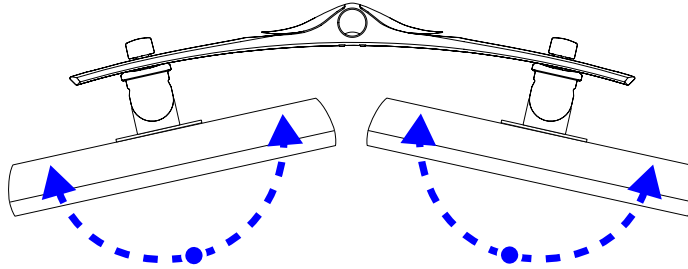
8x






a1

a2

? TROUBLE SHOOTING



Symptom	Probable Cause	Solution
Monitor pivots too difficult or too easy	Improper Pivot tension	Adjust Pivot  
	Monitor exceeds weight capacity	 Ergotron USA 1-800-383-1916 Ergotron Europe +31 20 312.29.39



1181 Trapp Road • St. Paul, MN 55121
800-383-1916 • In Minnesota: 651-681-7600
Fax: 651-681-7717 • www.ergotron.com

Patents Pending and Patented U.S. & Foreign.

Ergotron is a registered trademark of Ergotron, Inc.
Reproduction of this material in whole or part for any purpose other than
that authorized by Ergotron, Inc. is prohibited.
© 2004 Ergotron, Inc. All rights reserved.