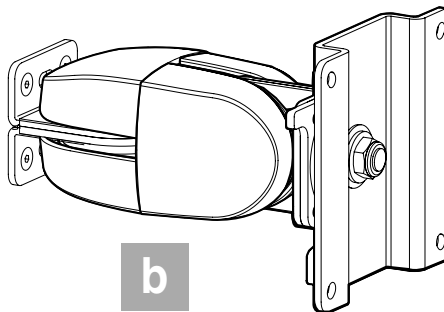
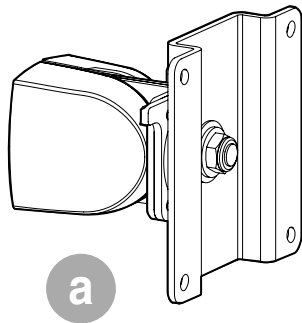
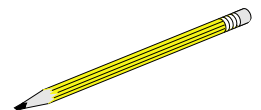
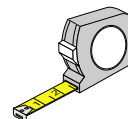
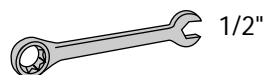
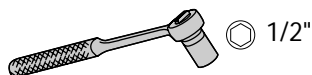
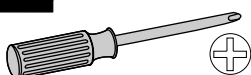


100 Series Flat Panel Monitor Pivots Vertical Surface, Direct Mount

USA 1-800-888-8458
Europe +31 20 312.29.39



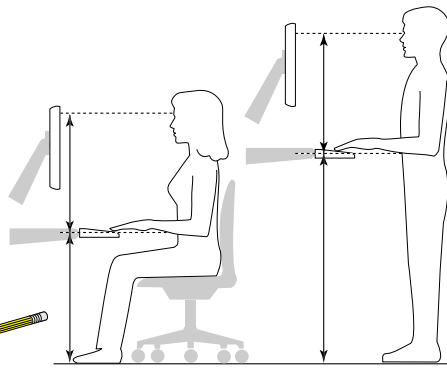
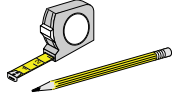
	A	B
1	<p>4x #8-32 x 5/16"</p>	<p>4x #8-32 x 3/8"</p>
2	<p>1x 75-100mm</p> <p>4x #8-32</p> <p>4x M4 x 10mm</p> <p>4x M4 x 10mm</p> <p>1x 3/32"</p>	



1 Determine Ergonomic Mounting Height



Ergonomics
Ergonomía
Ergonomie
Ergonomi



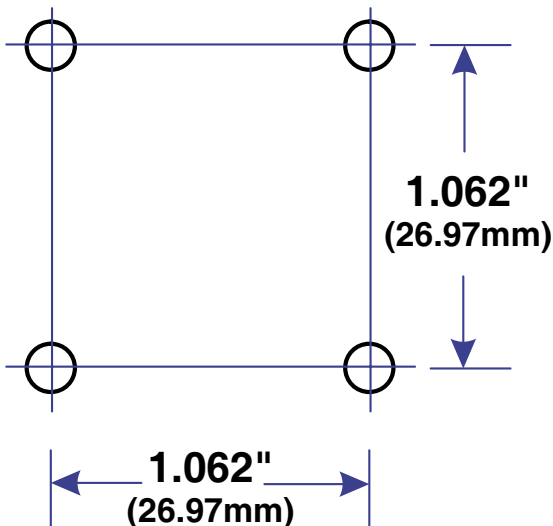
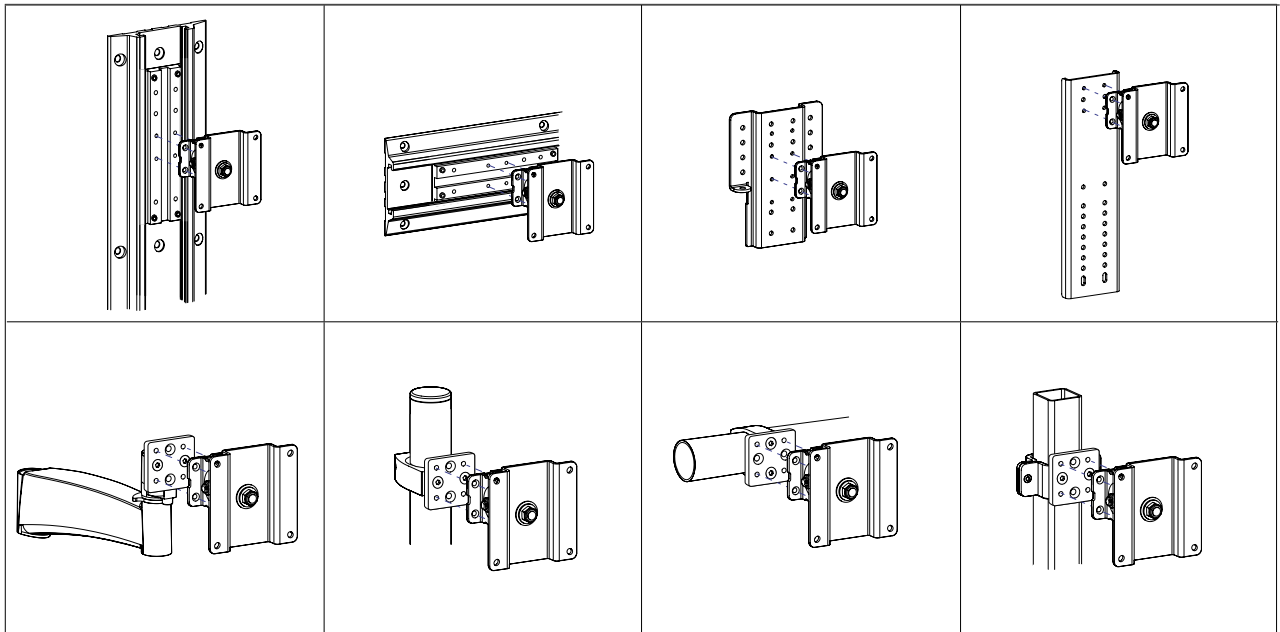
888-99-014

2 Determine Mounting Configuration



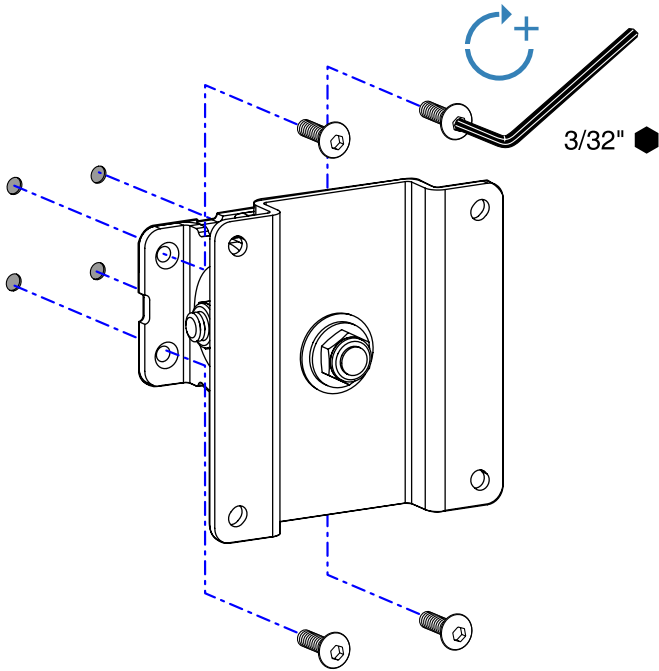
WARNING

Because surfaces vary widely and the ultimate mounting method is out of Ergotron's control, it is imperative that you consult with appropriate engineering, architectural or construction professional to ensure that your Ergotron mounting solution is mounted properly to handle applied loads.

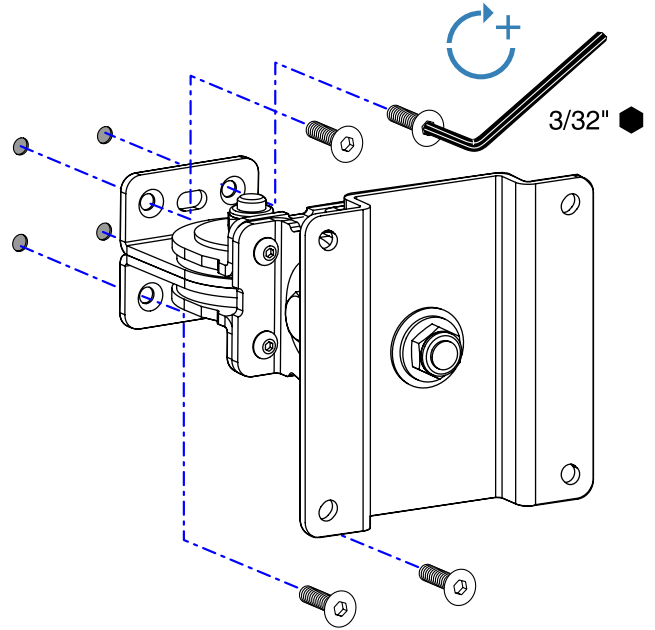


3 Mount Pivot

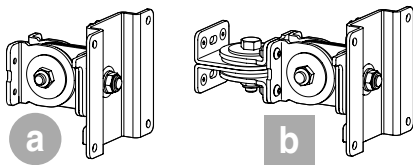
a 4x #8-32 x 5/16"



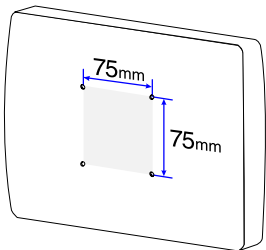
b 4x #8-32 x 3/8"



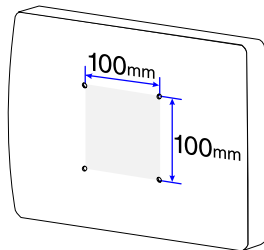
4 Attach Monitor



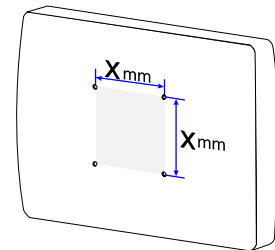
c
75 mm



d
100 mm



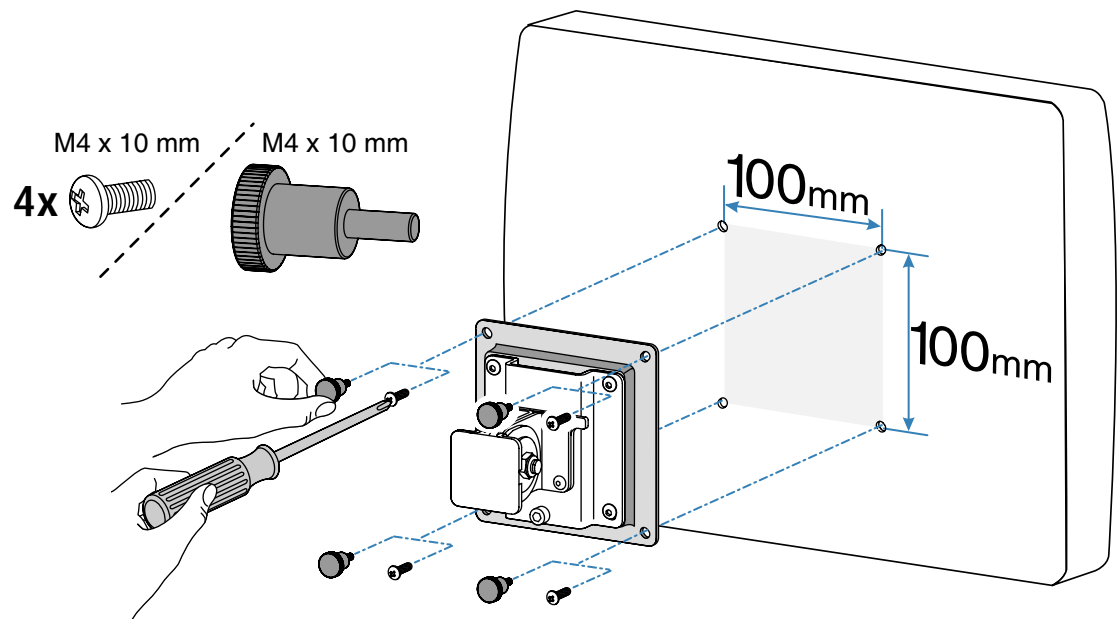
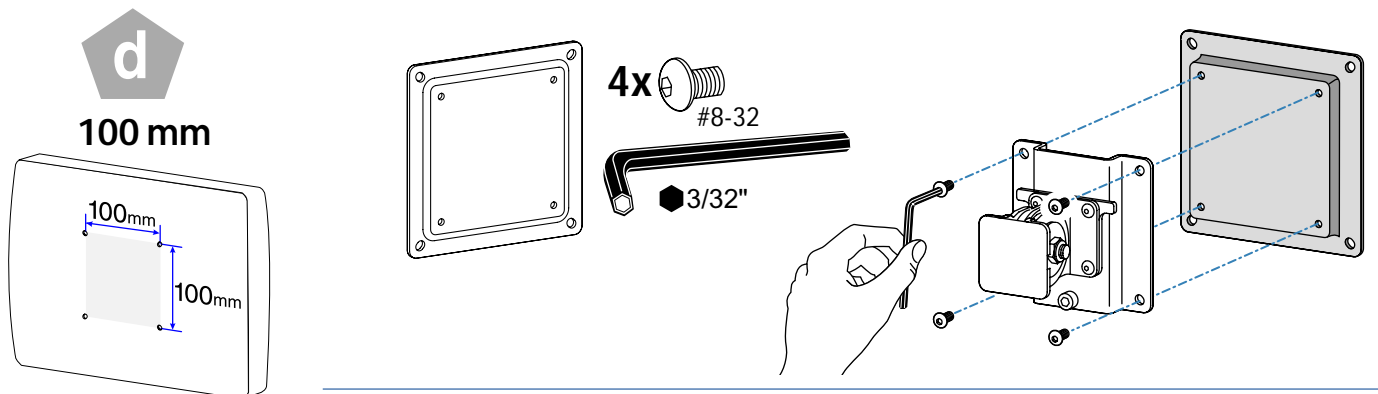
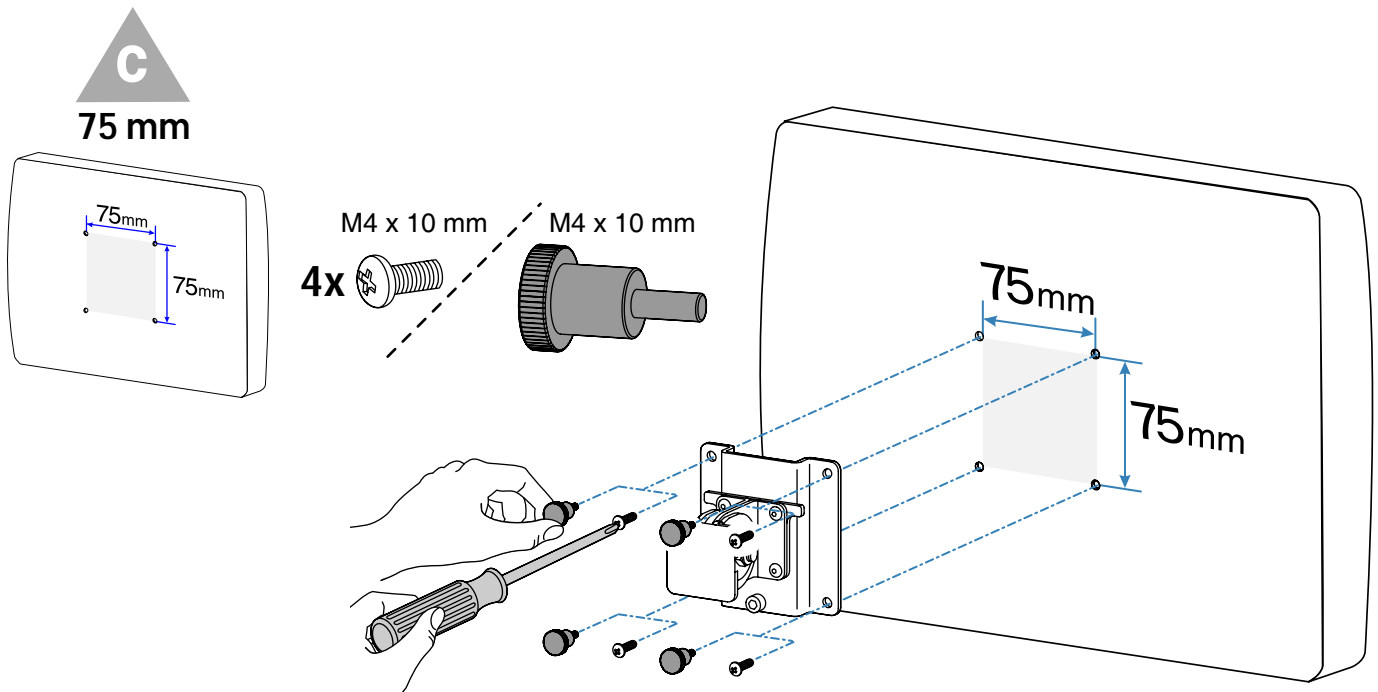
X mm



USA 1-800-383-1916
Europe +31 20 312.29.39

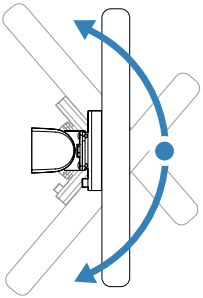


If your monitor uses a screw size other than M4 x 10mm, DO NOT use the M4 x 10mm screws or knob provided as they could result in damage to the monitor.



5 Tilt Motion

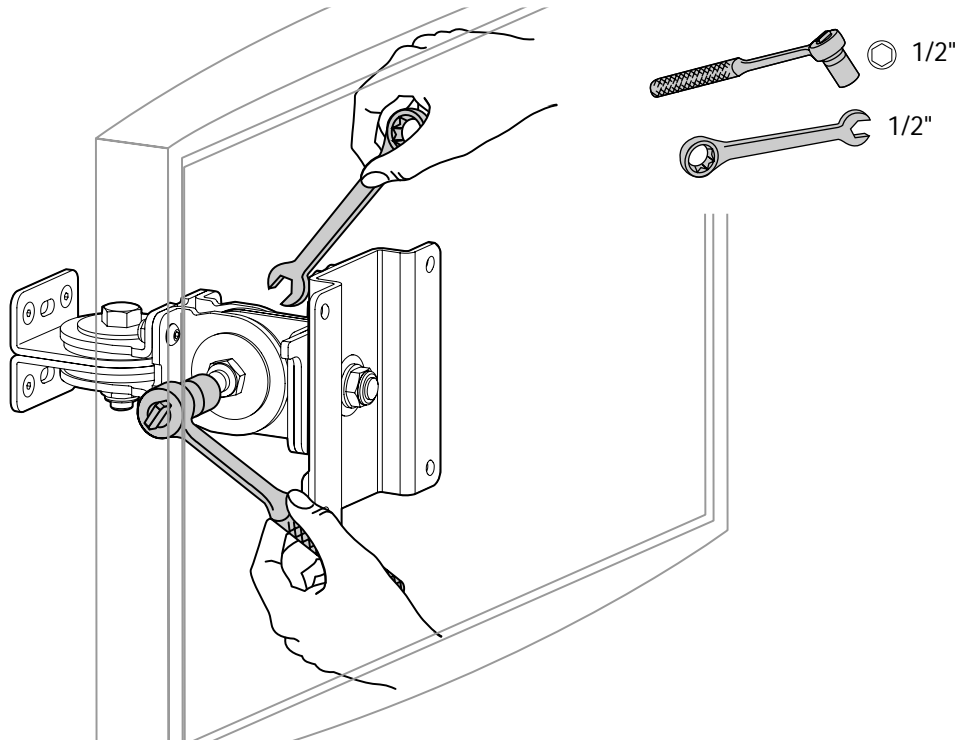
Tilt monitor up and down through entire pivot range of motion. If it does not stay in place or movement in one direction is stiff, pivot needs adjustment - see below. Adjust until monitor stays in place and tilting forces, up or down, are equal.



Adjust Tilt

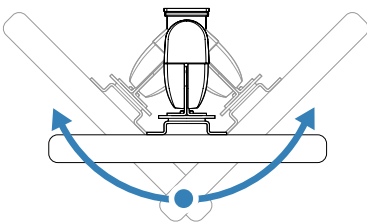
To Increase Tension: Turn screw clockwise.

To Decrease Tension: Turn screw counterclockwise.



6 Side-to-Side Motion

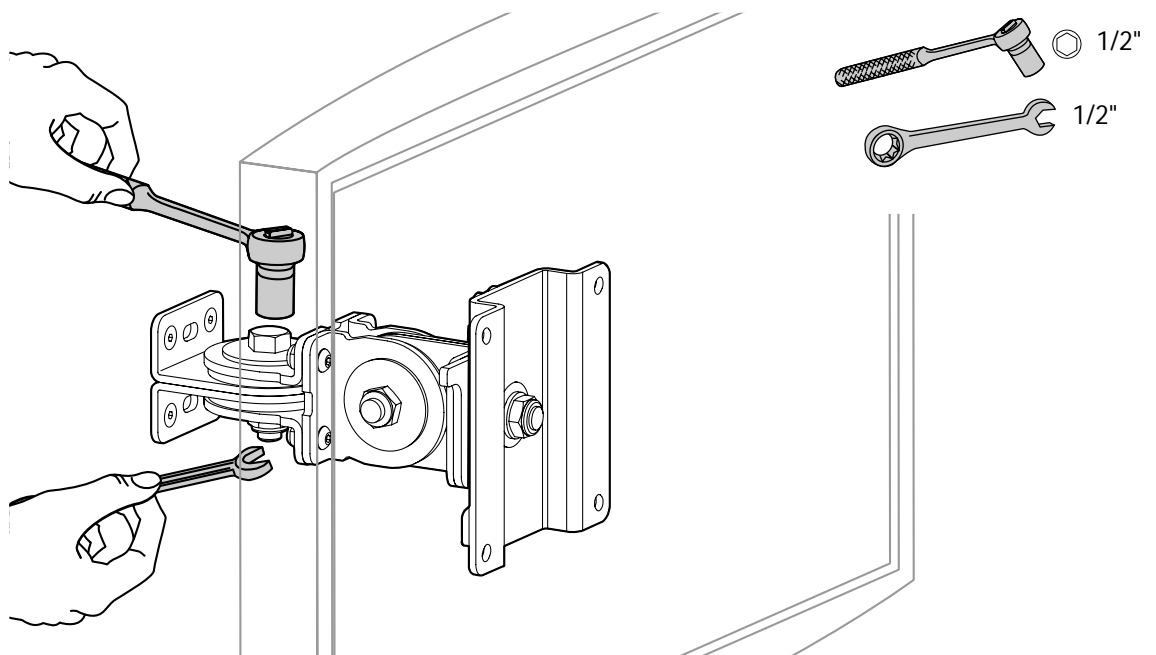
Move monitor side-to-side through entire range of motion. If it does not stay in place at any point it will need adjustment - see below. Adjust so side-to-side moving forces are equal.



Adjust Side-to-Side

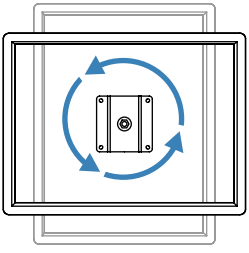
To Increase Tension: Turn screw clockwise.

To Decrease Tension: Turn screw counterclockwise.

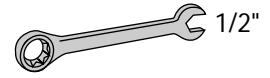


7 Portrait/Landscape

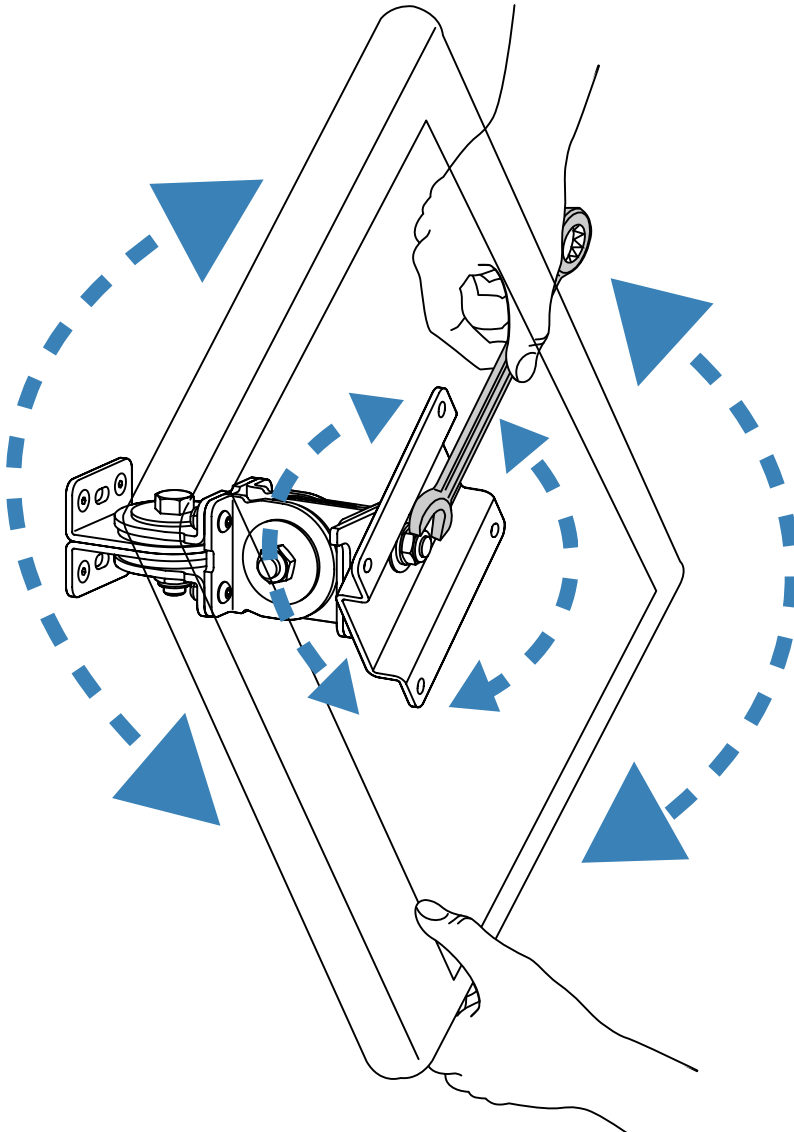
Rotate monitor from Portrait to Landscape through entire range of motion. If it does not stay in place or movement in one direction is stiff, tension needs adjustment - see below. Adjust until monitor stays in place and tension, portrait to landscape, is equal.



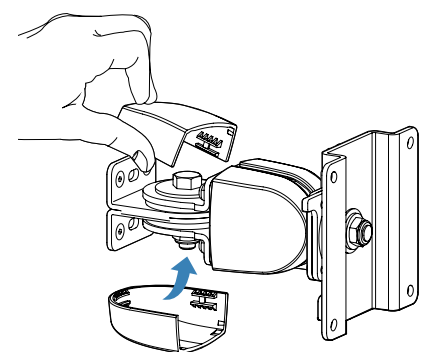
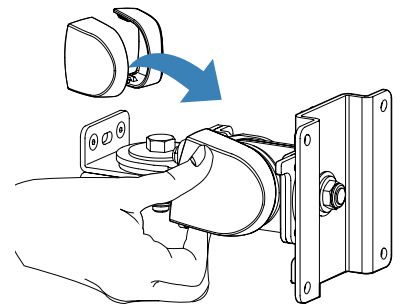
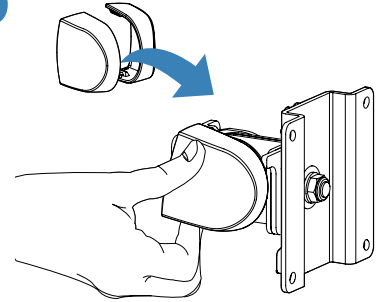
Adjust Portrait/Landscape



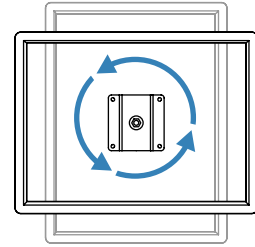
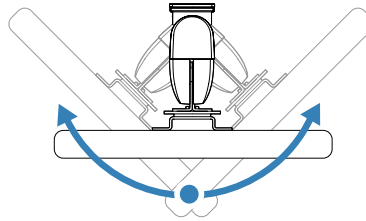
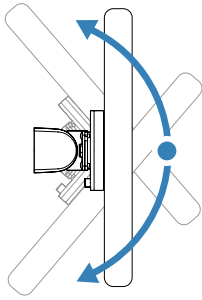
To Increase Tension: Turn screw clockwise.
To Decrease Tension: Turn screw counterclockwise.







8

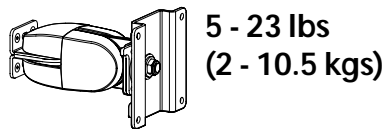
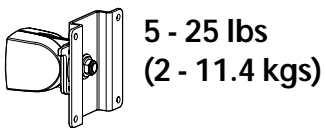


? Troubleshooting



Symptom	Probable Cause	Solution
Monitor tilts up and down too easily or with difficulty.	Pivot Tension needs adjustment.	8 Tilt Motion 
	Monitor exceeds weight capacity*.	 USA 1-800-888-8458 Europe +31 20 312.29.39
Monitor moves side-to-side too easily or with difficulty.	Pivot Tension needs adjustment.	9 Side-to-Side Motion 
Monitor rotates from portrait to landscape too easily or with difficulty.	Pivot Tension needs adjustment.	10 Portrait/Landscape 

* Weight Capacities:



Warranty

Ergotron warrants that its products will remain free of defects in material and workmanship for (5)-years.

Exclusive Remedy: If any Ergotron equipment is or becomes defective in material or workmanship during the warranty period, Purchaser must return the item to Ergotron with a written explanation of the defect. Ergotron will promptly repair or replace the item and ship it to Purchaser without charge to Purchaser. Performance of repair or replacement does not renew or extend the warranty period.

THIS REMEDY IS THE EXCLUSIVE REMEDY FOR BREACH OF WARRANTY AS TO THE EQUIPMENT, except in respect to personal injury. Purchaser shall give Ergotron immediate written notice of any personal injury resulting from use of Ergotron equipment.

Exclusions and Limitations: Ergotron disclaims liability for injuries or losses caused by or associated with installation or use of its equipment in any manner other than in strict conformance with the instruction sheets, technical bulletins or product literature, or by equipment that has been altered, damaged or misused.

Purchaser has not relied upon and Ergotron disclaims any and all warranties other than the expressed warranty stated above, subject to the exclusions and limitations provided herein. Ergotron disclaims all other warranties, expressed or implied, including but not limited to the warranties of merchantability and fitness for a particular purpose.

Ergotron further disclaims liability to purchaser and all others for all consequential, incidental and special damages caused by or in connection with the products, their use or misuse, and their performance or nonperformance.