

# ASSEMBLY INSTRUCTION

---

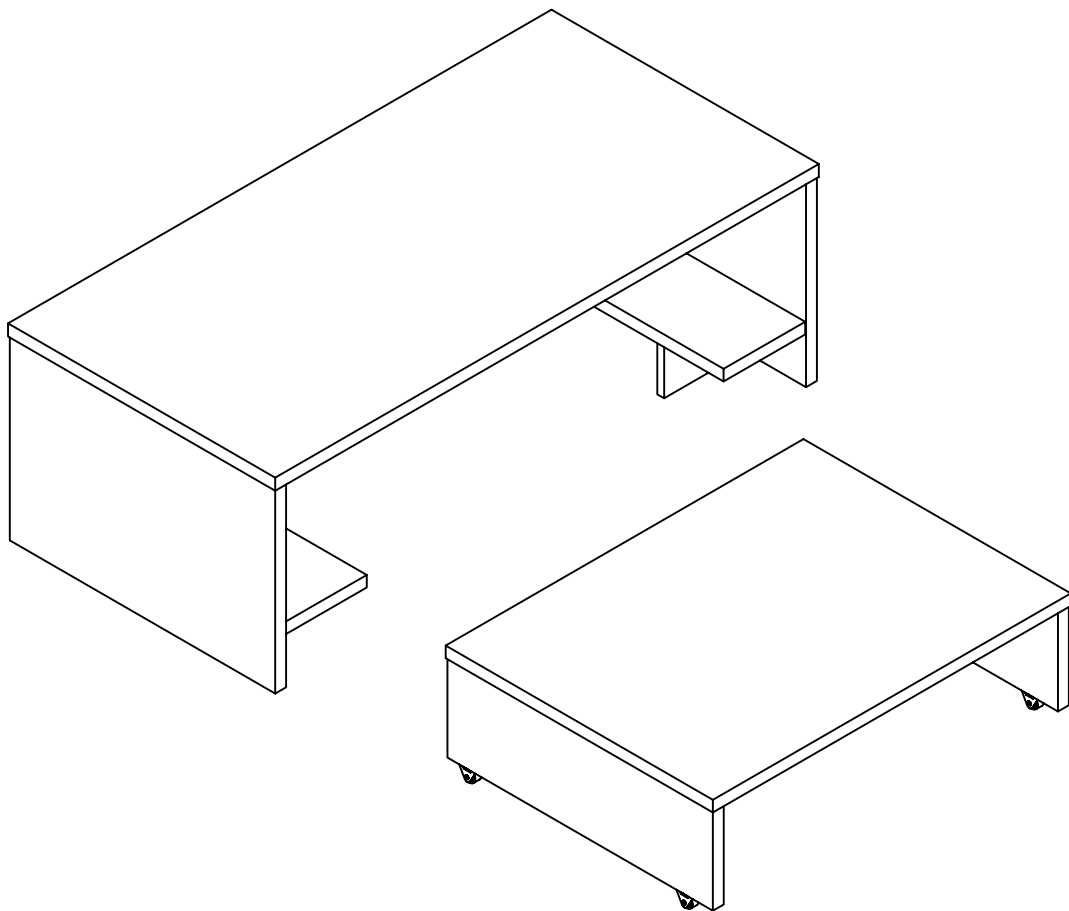
## PLEASE READ BEFORE ASSEMBLING!

Tip #1: Make sure you've taken all the pieces and hardware out of its packaging before discarding the box.

Tip #2: Using page 2 and/or page 3 of instruction manual make sure all pieces and hardware are accounted for.

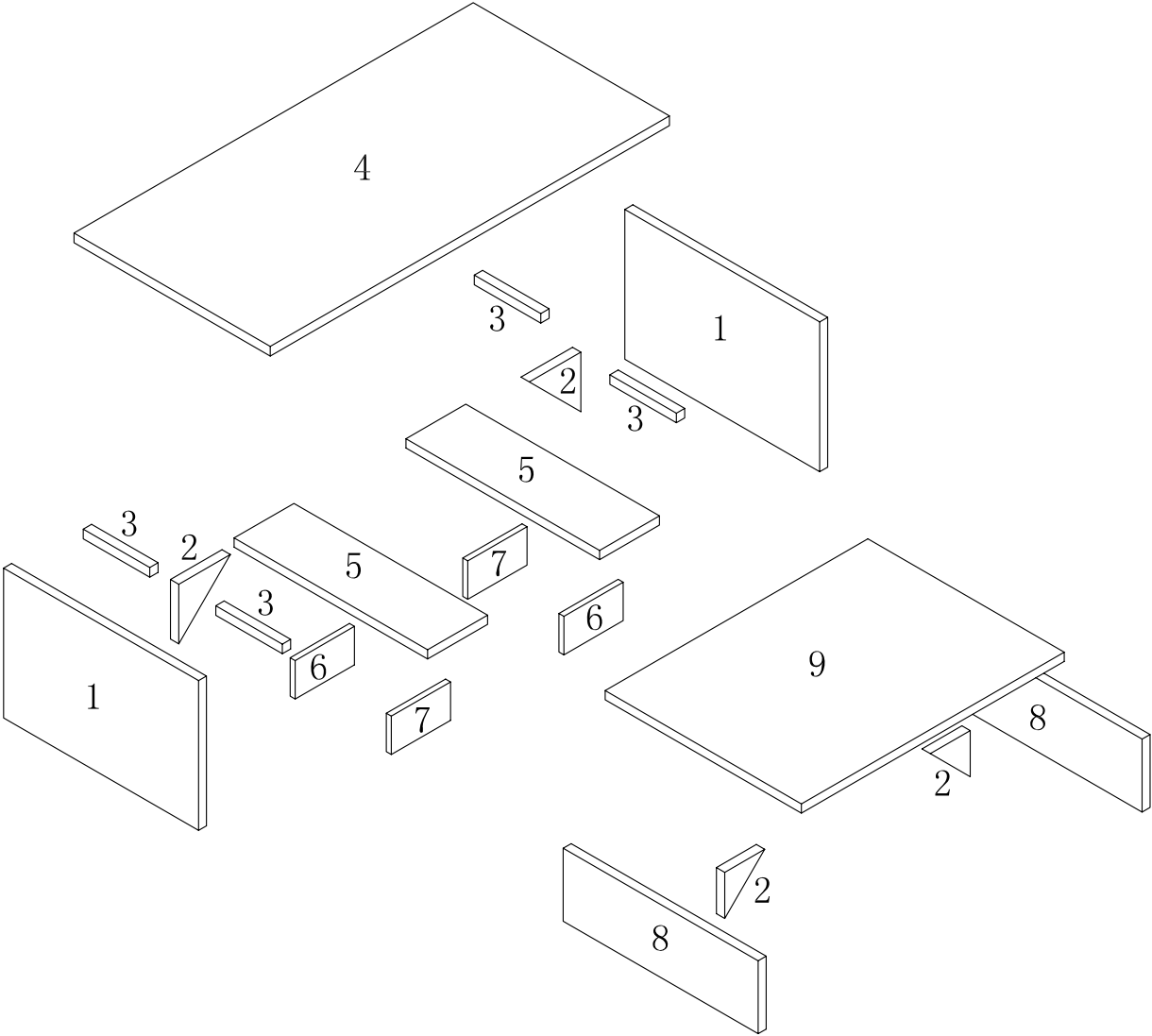
Tip #3: Read manual before assembling, it helps!

ITEM#: 27158CT



# PARTS IDENTIFICATION

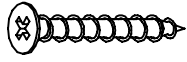





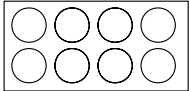

ITEM#: 27158CT



(1)	2pcs	(6)	2pcs
(2)	4pcs	(7)	2pcs
(3)	4pcs	(8)	2pcs
(4)	1pc	(9)	1pc
(5)	2pcs		

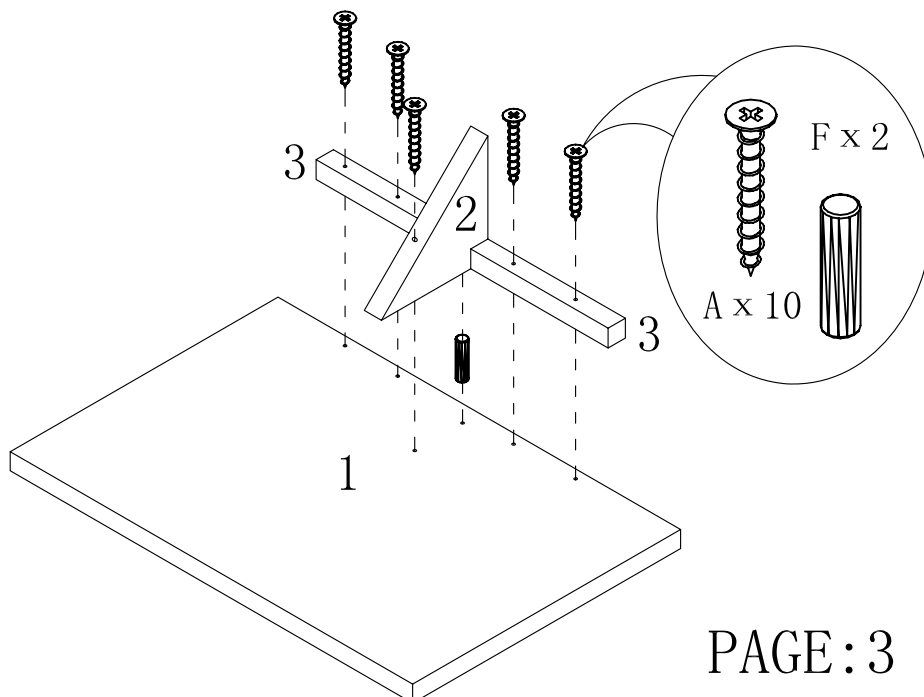
# HARDWARE IDENTIFICATION

ITEM#: 27158CT

A		$\phi 4 \times 40$	24pcs
B		$\phi 15$	20pcs
C		L29	20pcs
D			4pcs
E		$\phi 4 \times 20$	8pcs
F		$\phi 8 \times 25$	28pcs
G		$\phi 18$	8pcs
H		It's used for stick the stopper to the connecting hole firmly	1pc

# ASSEMBLY INSTRUCTION

ITEM#: 27158CT

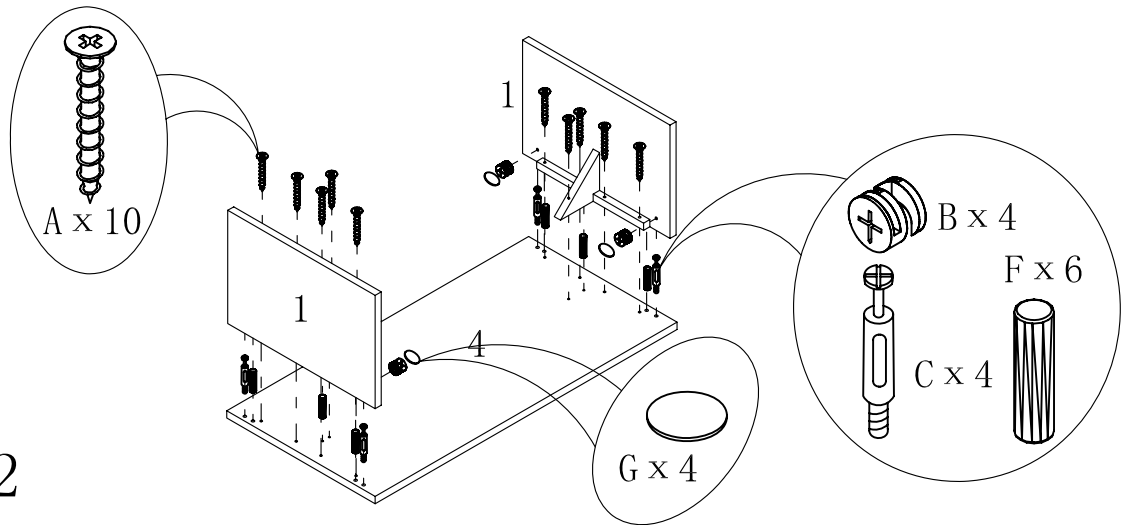


STEP1

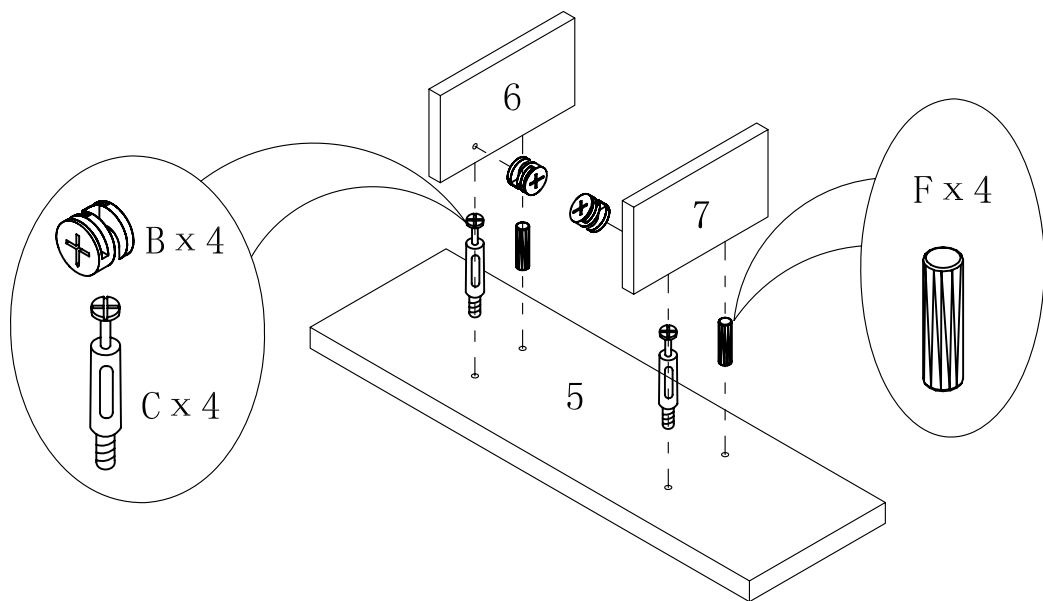
PAGE: 3 OF 5

# ASSEMBLY INSTRUCTION

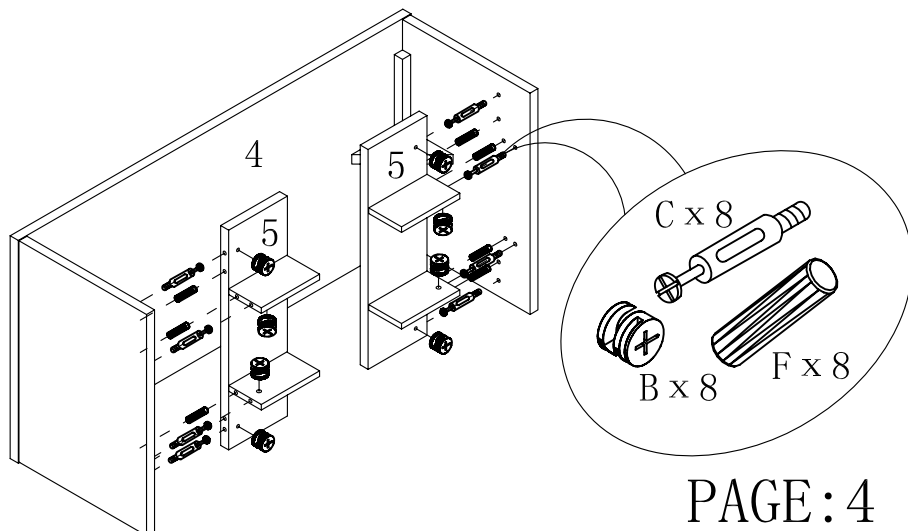
ITEM#: 27158CT



## STEP 3

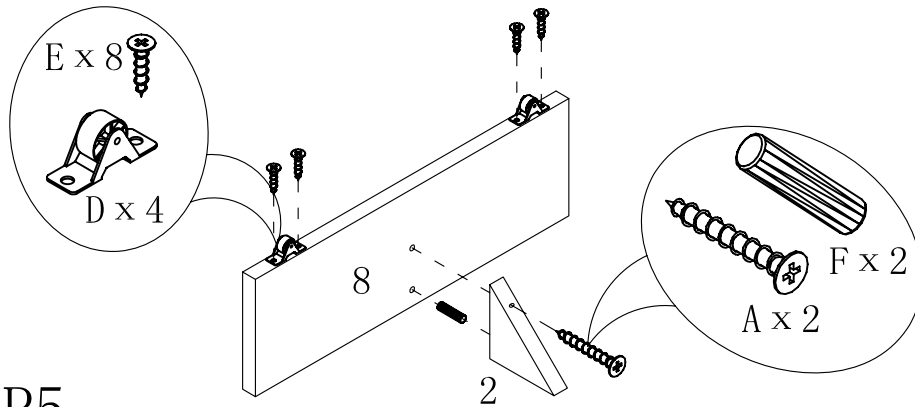


## STEP 4

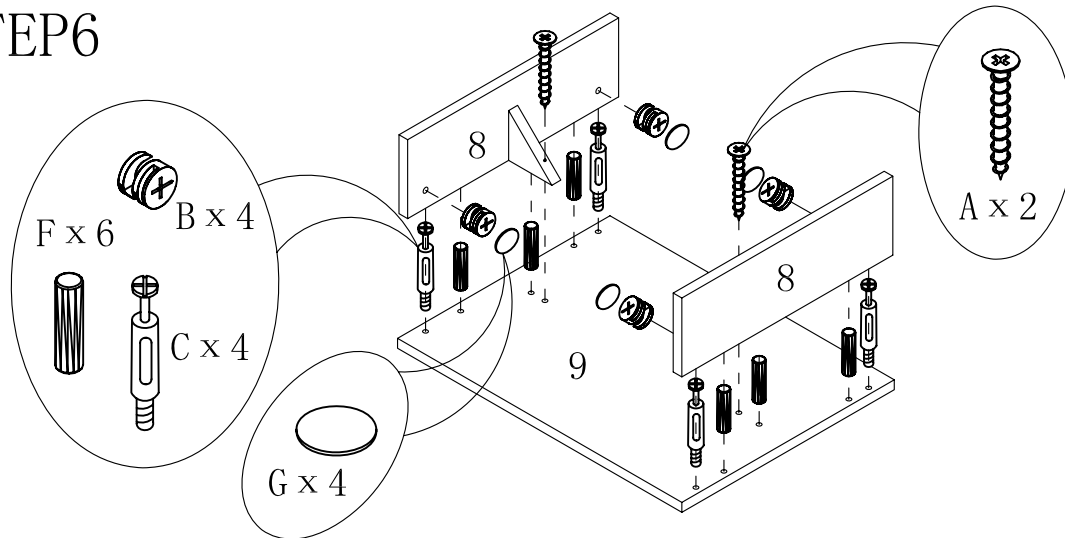


# ASSEMBLY INSTRUCTION

ITEM#: 27158CT



STEP 6



STEP 7

