

ASSEMBLY INSTRUCTION

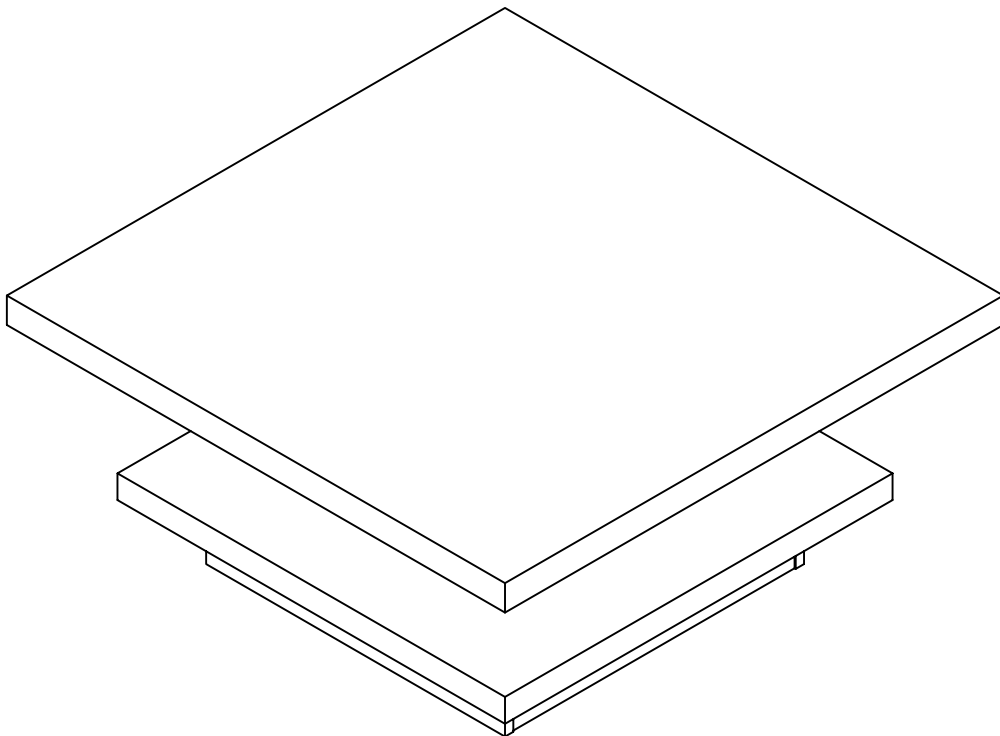
PLEASE READ BEFORE ASSEMBLING!

Tip #1: Make sure you've taken all the pieces and hardware out of its packaging before discarding the box.

Tip #2: Using page 2 and/or page 3 of instruction manual make sure all pieces and hardware are accounted for.

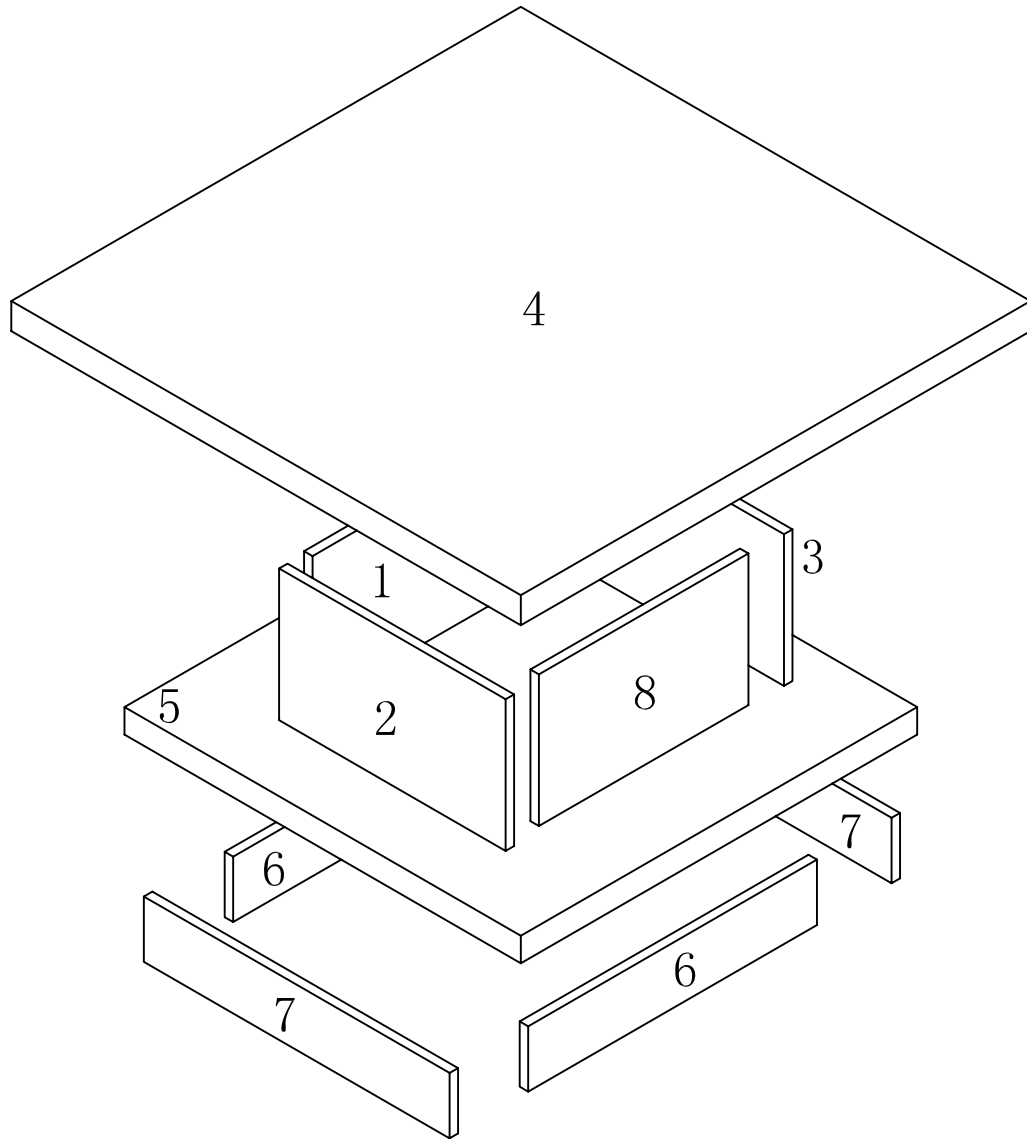
Tip #3: Read manual before assembling, it helps!

ITEM#: 28219CT



PARTS IDENTIFICATION

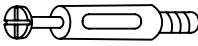

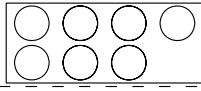
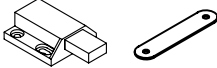

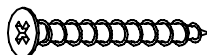


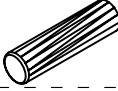

ITEM#: 28219CT



(1)	1pc	(6)	2pcs
(2)	1pc	(7)	2pcs
(3)	1pc	(8)	1pc
(4)	1pc		
(5)	1pc		

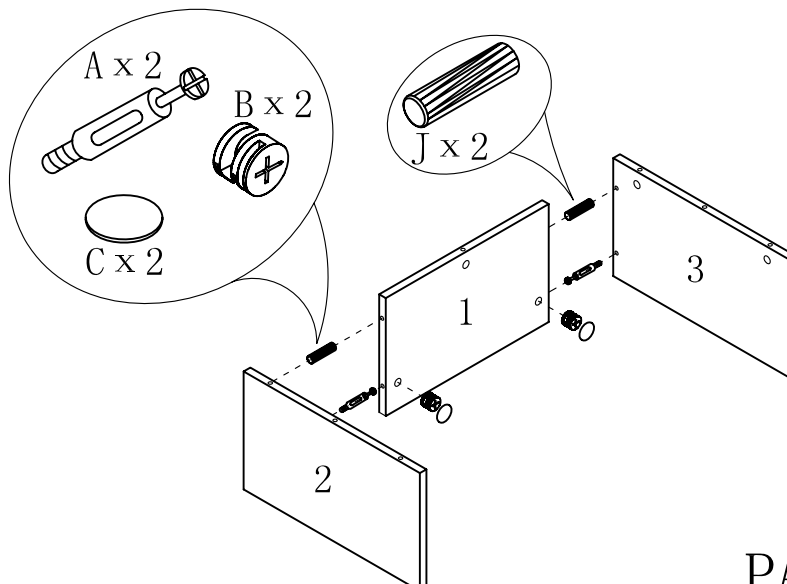
HARDWARE IDENTIFICATION

ITEM#: 28219CT

A		L29	15pcs
B		$\phi 15$	15pcs
C		$\phi 18$	7pcs
D			1pc
E		$\phi 3 \times 16$	4pcs
F		$\phi 4 \times 50$	5pcs
G			1sets
H		$\phi 3 \times 12$	2pcs
J		$\phi 8 \times 25$	14pcs
K		It's used for stick the stopper to the connecting hole firmly	1pc

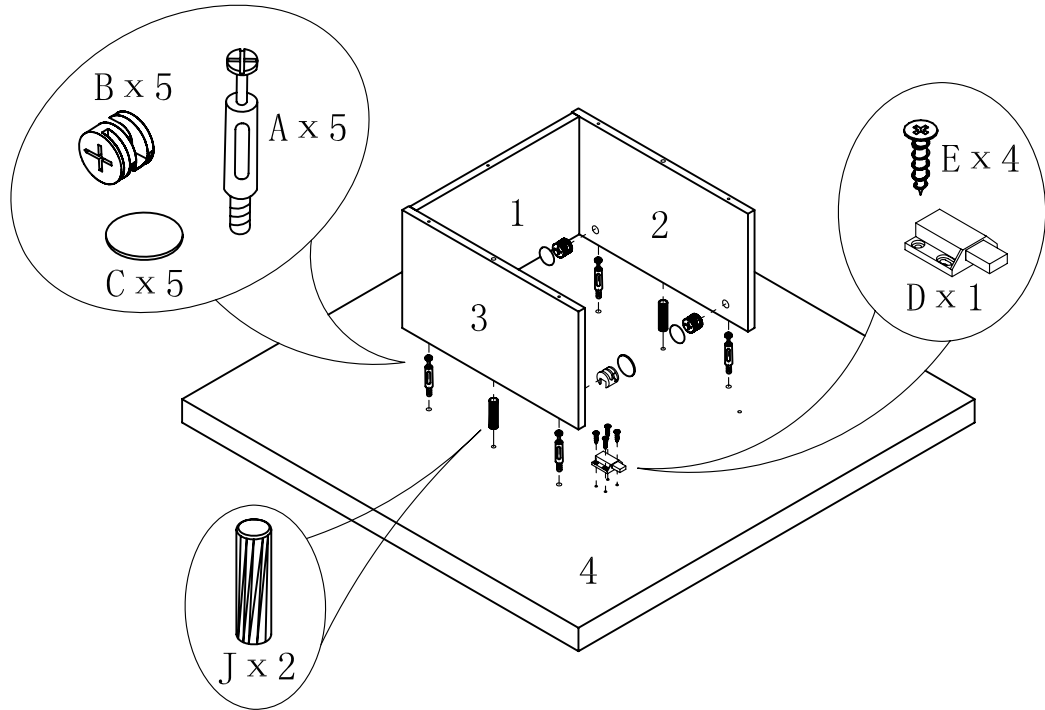
ASSEMBLY INSTRUCTION

ITEM#: 28219CT



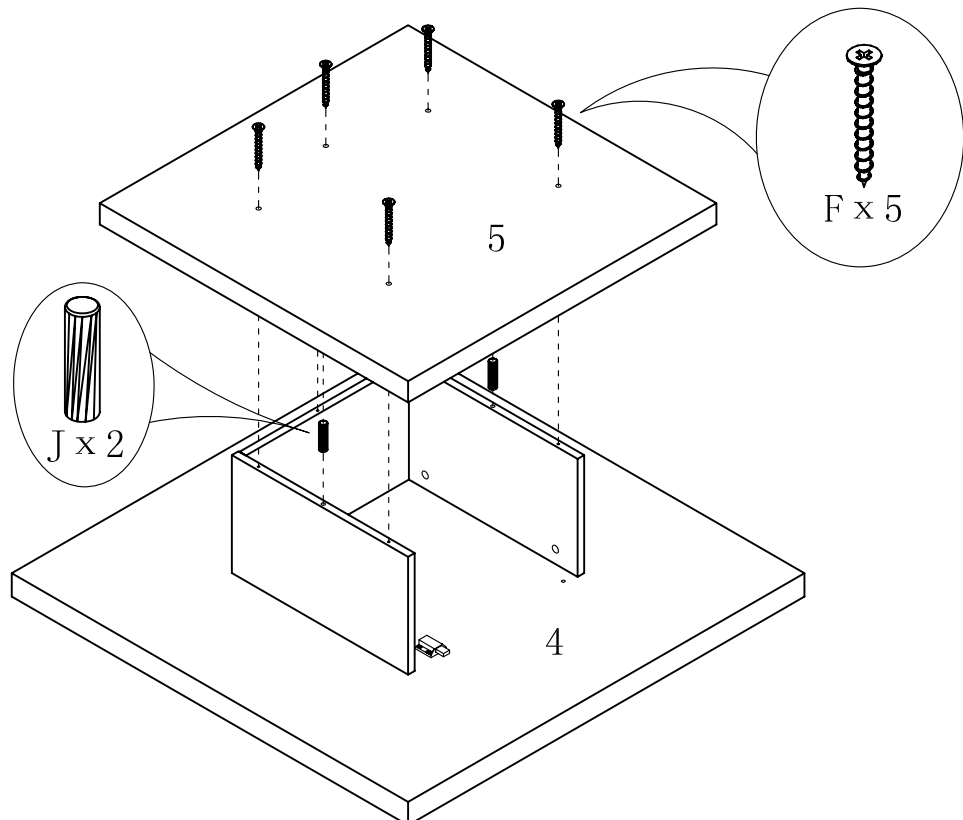
ASSEMBLY INSTRUCTION

ITEM#: 28219CT



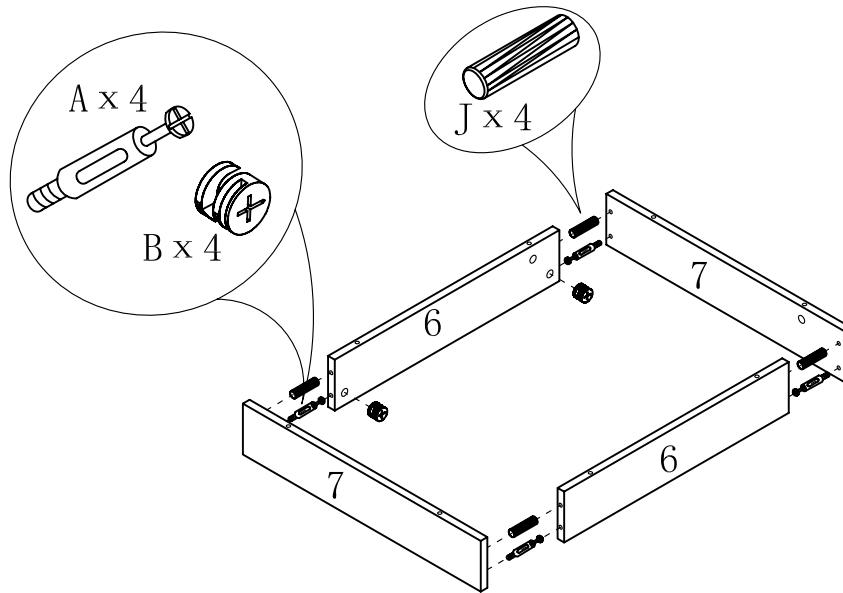
STEP2

STEP3



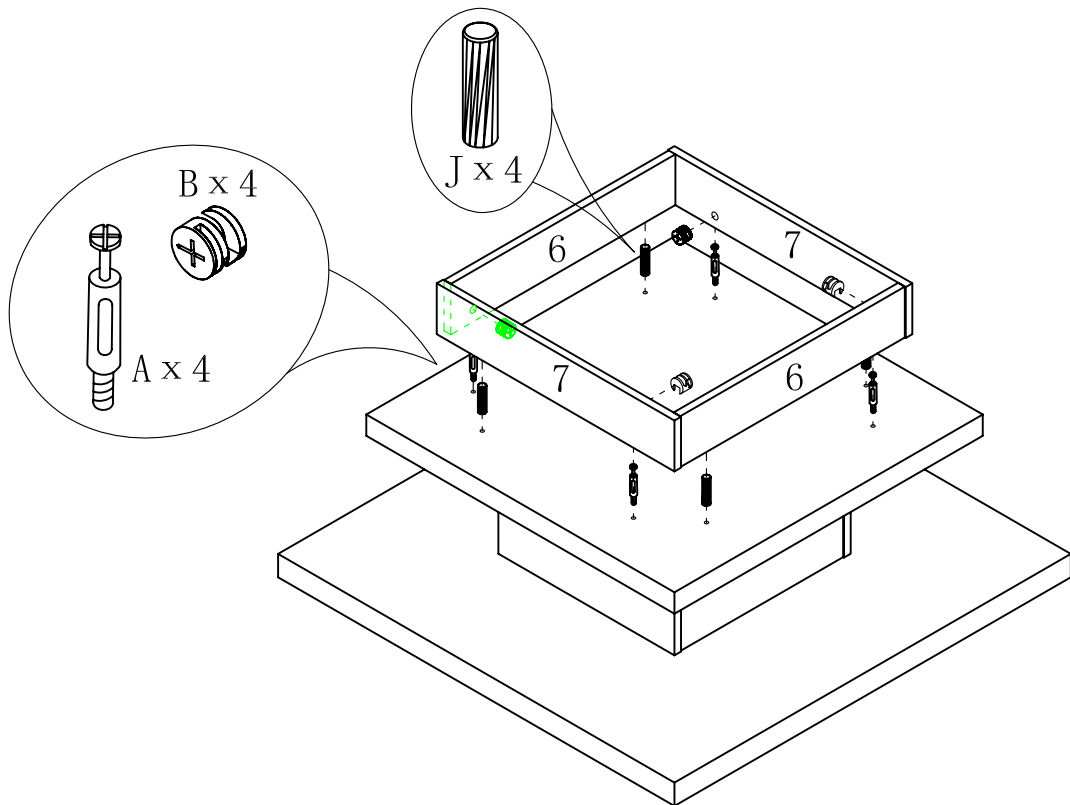
ASSEMBLY INSTRUCTION

ITEM#: 28219CT



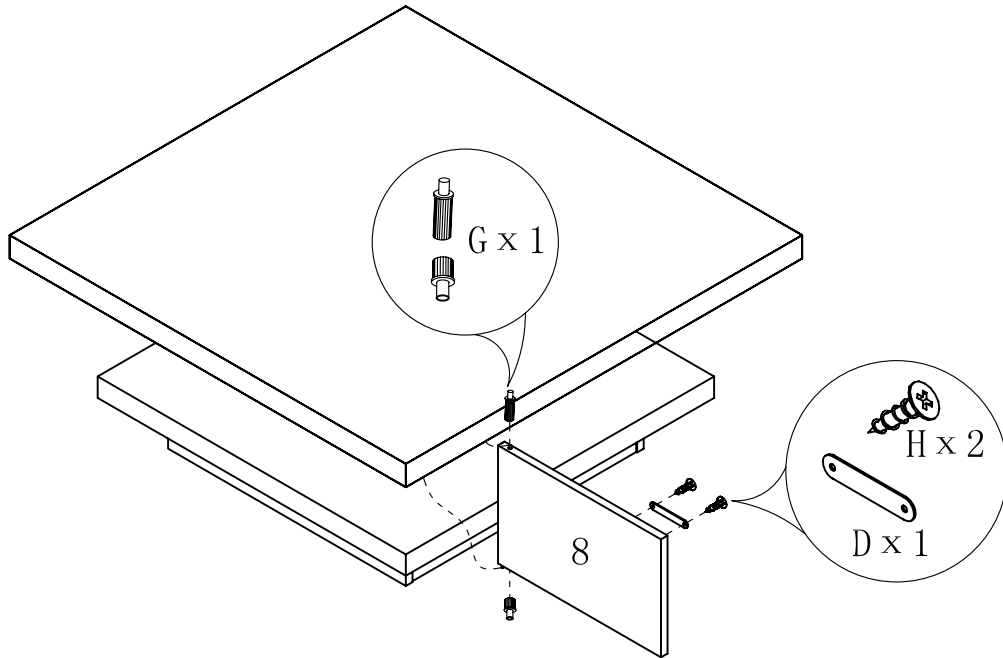
STEP4

STEP5



ASSEMBLY INSTRUCTION

ITEM#: 28219CT



STEP6

STEP7

