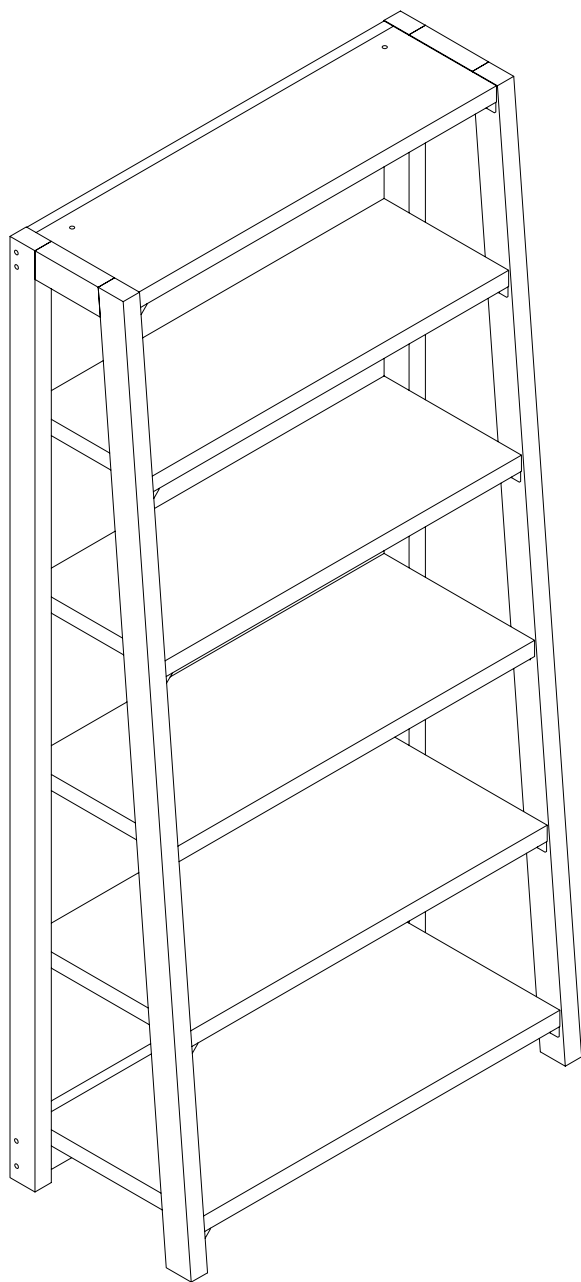


# ASSEMBLY INSTRUCTION

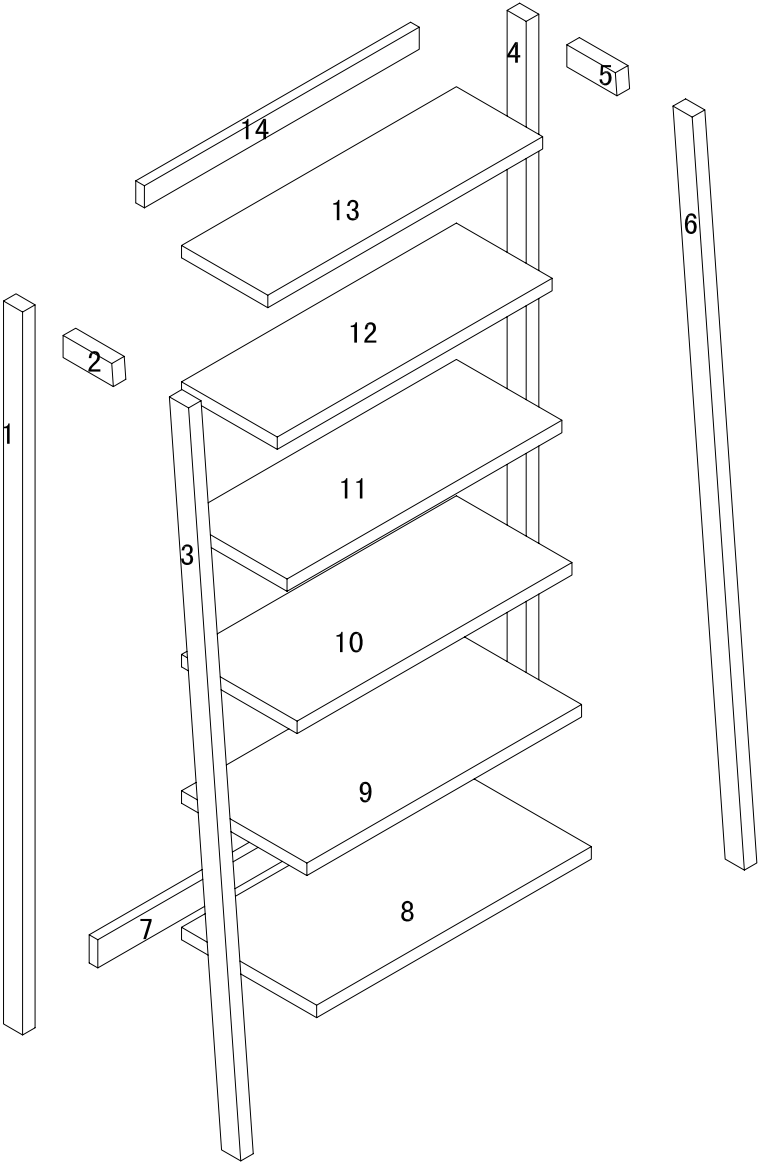
---

ITEM#: 29271



# PARTS IDENTIFICATION

ITEM#: 29271

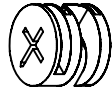


(1)	1PC	(8)	1PC
(2)	1PC	(9)	1PC
(3)	1PC	(10)	1PC
(4)	1PC	(11)	1PC
(5)	1PC	(12)	1PC
(6)	1PC	(13)	1PC
(7)	1PC	(14)	1PC

# HARDWARE IDENTIFICATION

ITEM#: 29271

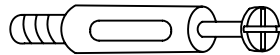
A



∅15

4PCS

B



L29

4PCS

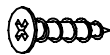
C



∅8x30

28PCS

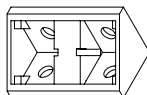
D



∅4x16

80PCS

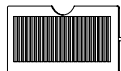
E



42x20x20

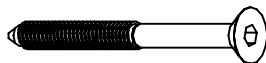
20PCS

F



20PCS

G



∅6x65

12PCS

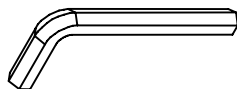
H



∅10.5

12PCS

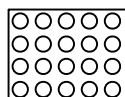
I



∅4

1PC

J



∅15

20PCS

K

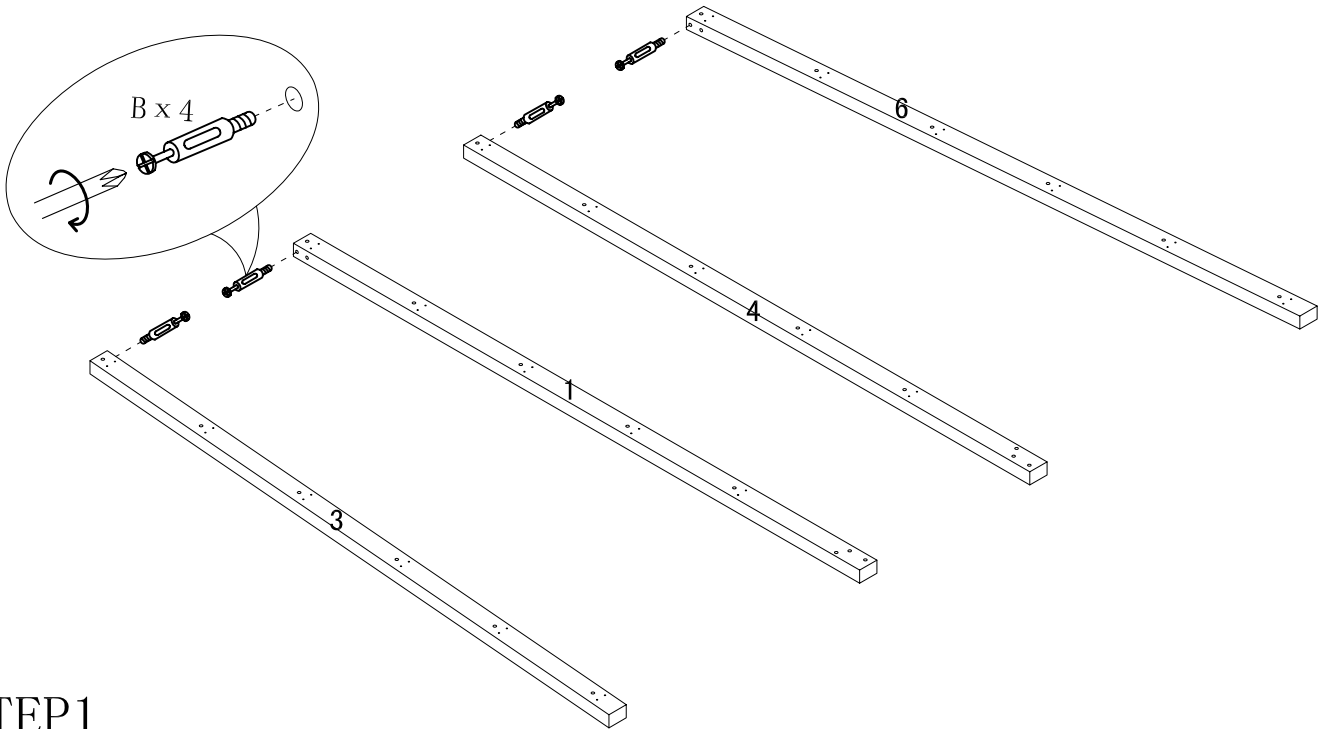


It's used for stick the stopper  
to the connecting hole firmly

1PC

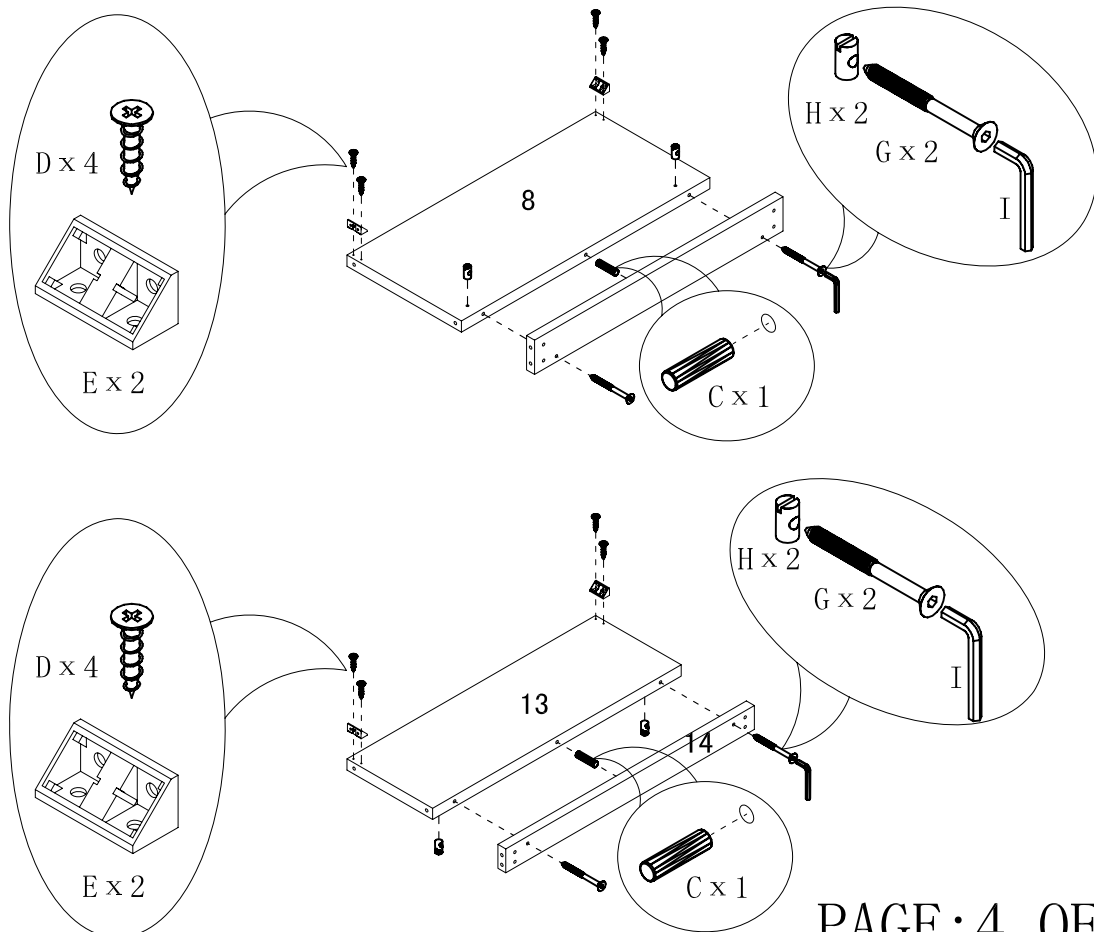
# ASSEMBLY INSTRUCTION

ITEM#: 29271



STEP 1

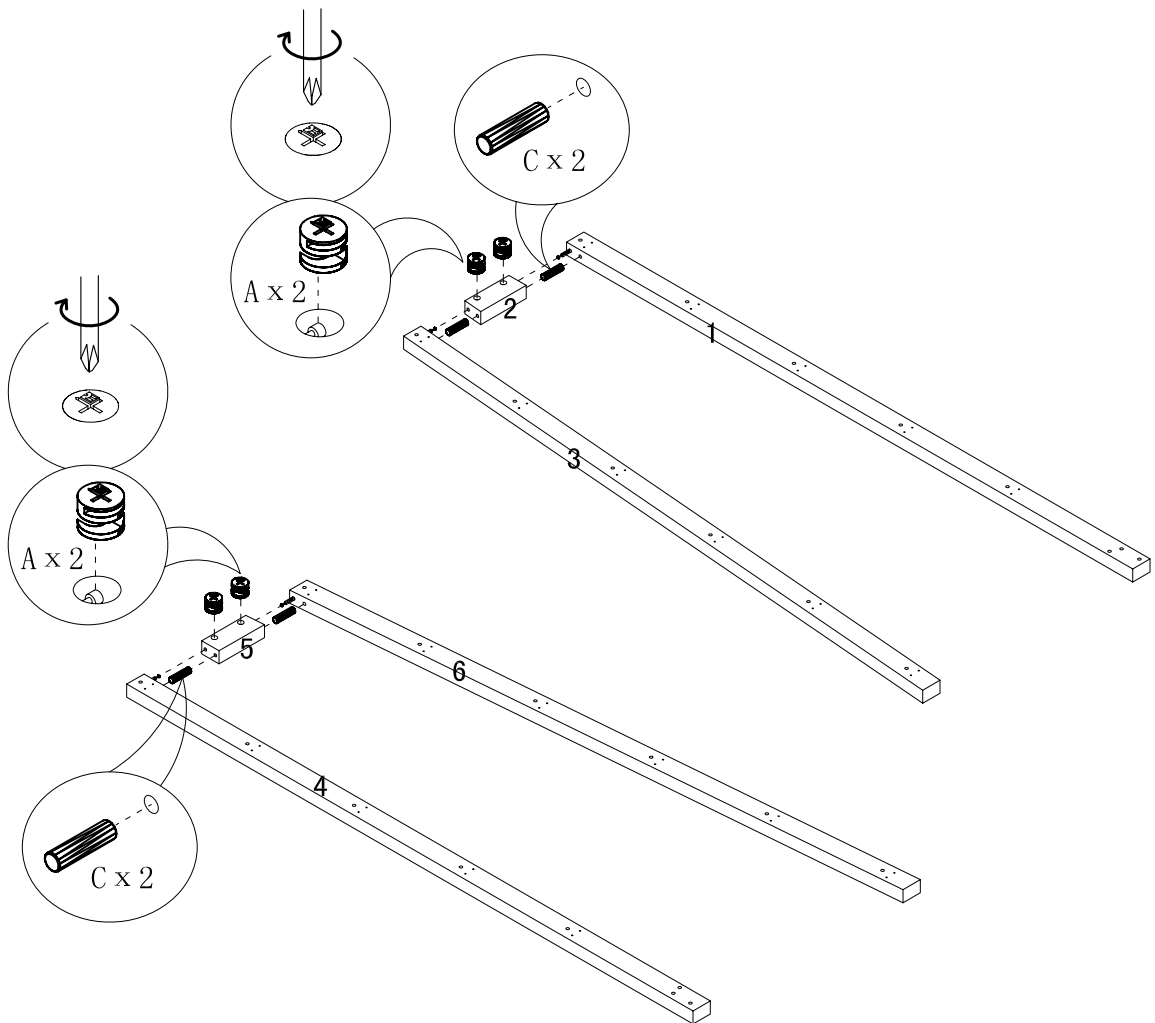
STEP 2



PAGE: 4 OF 7

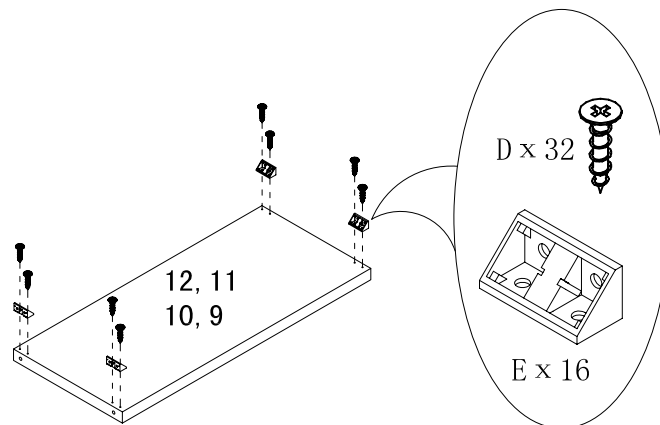
# ASSEMBLY INSTRUCTION

ITEM#: 29271



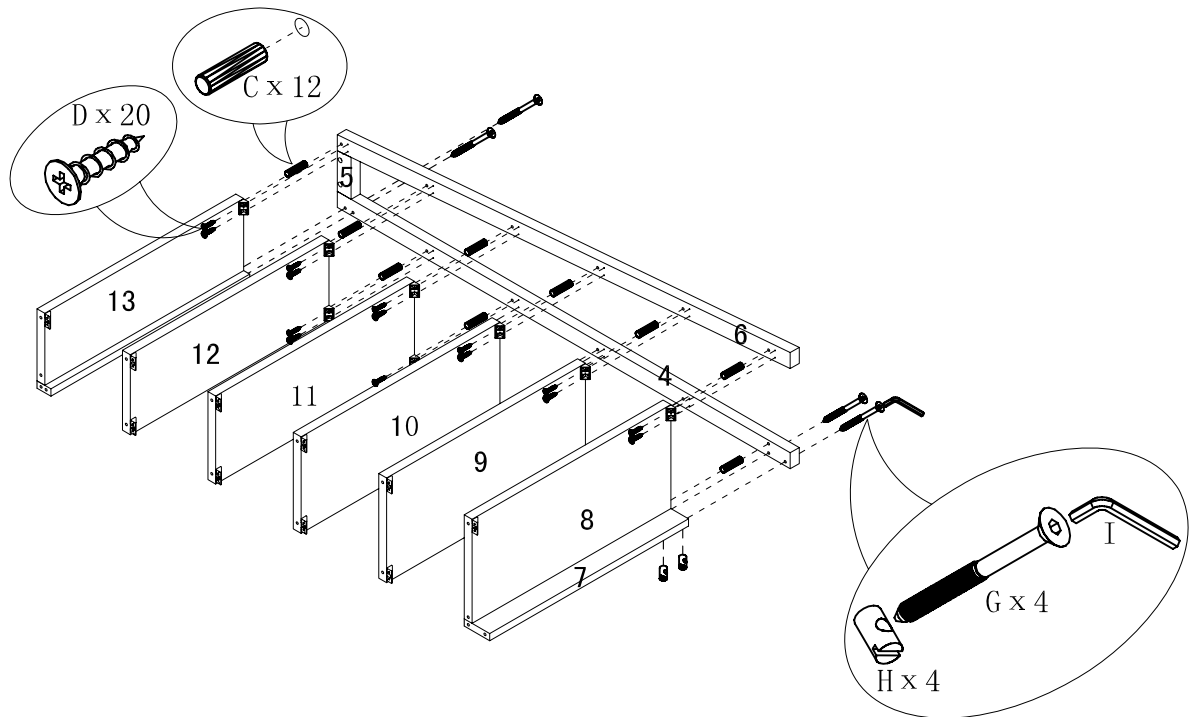
STEP3

STEP4



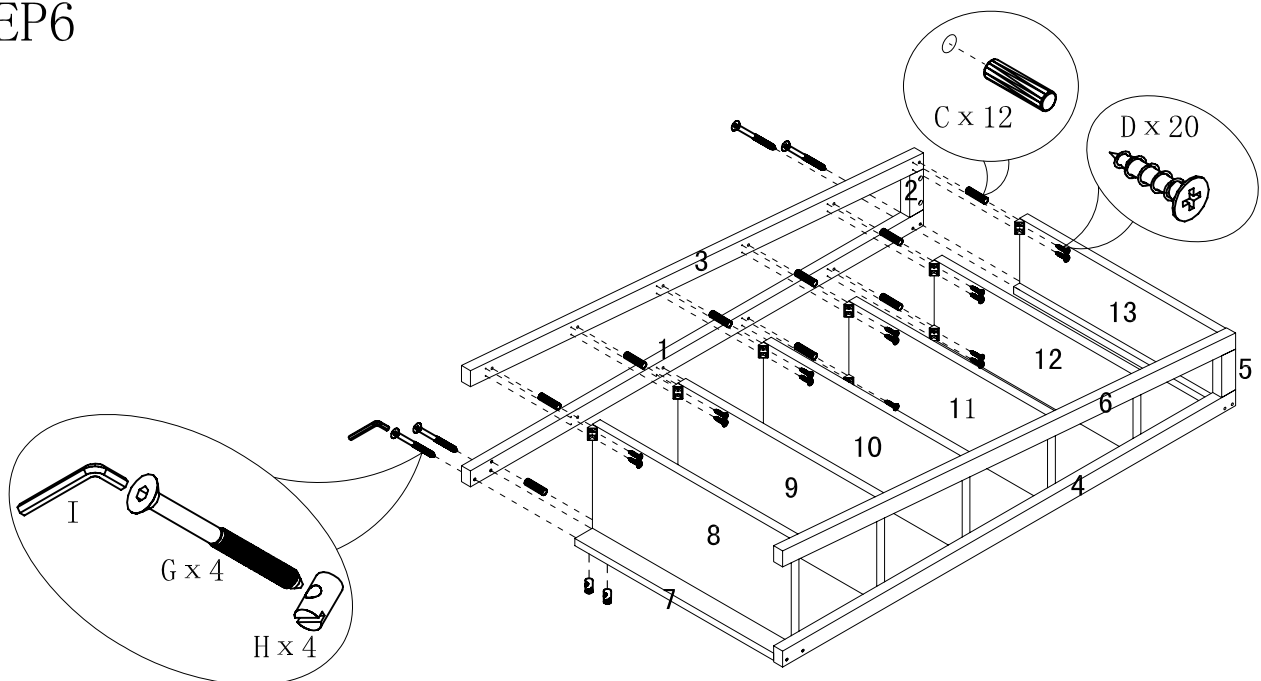
# ASSEMBLY INSTRUCTION

ITEM#: 29271



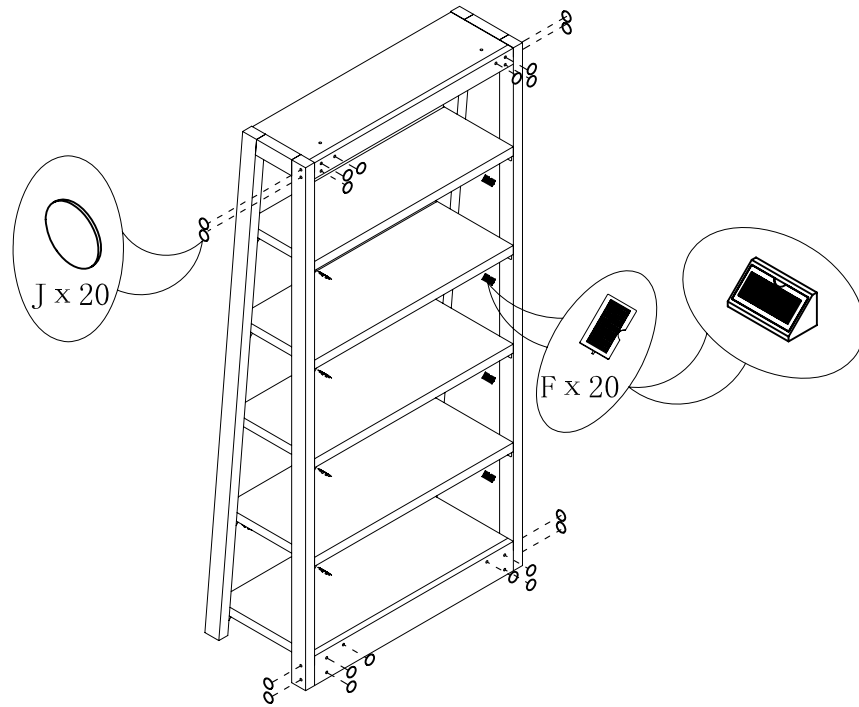
STEP5

STEP6



# ASSEMBLY INSTRUCTION

ITEM#: 29271



STEP7

STEP8

