

ASSEMBLY INSTRUCTION

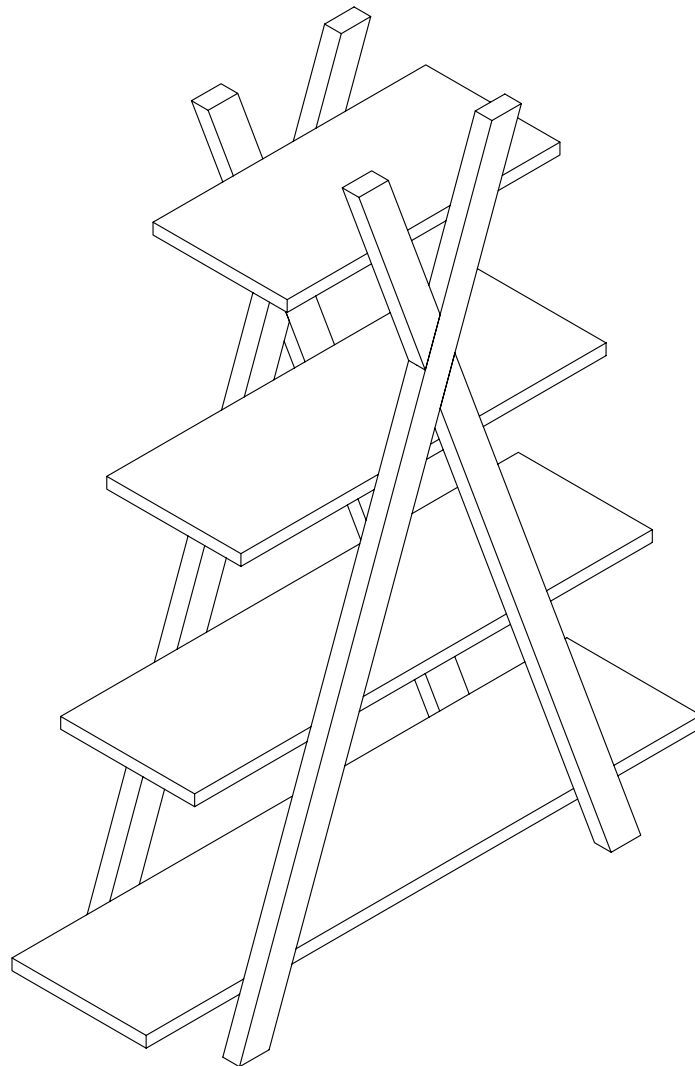
ITEM#: 27132

PLEASE READ BEFORE ASSEMBLING!

Tip #1: Make sure you've taken all the pieces and hardware out of its packaging before discarding the box.

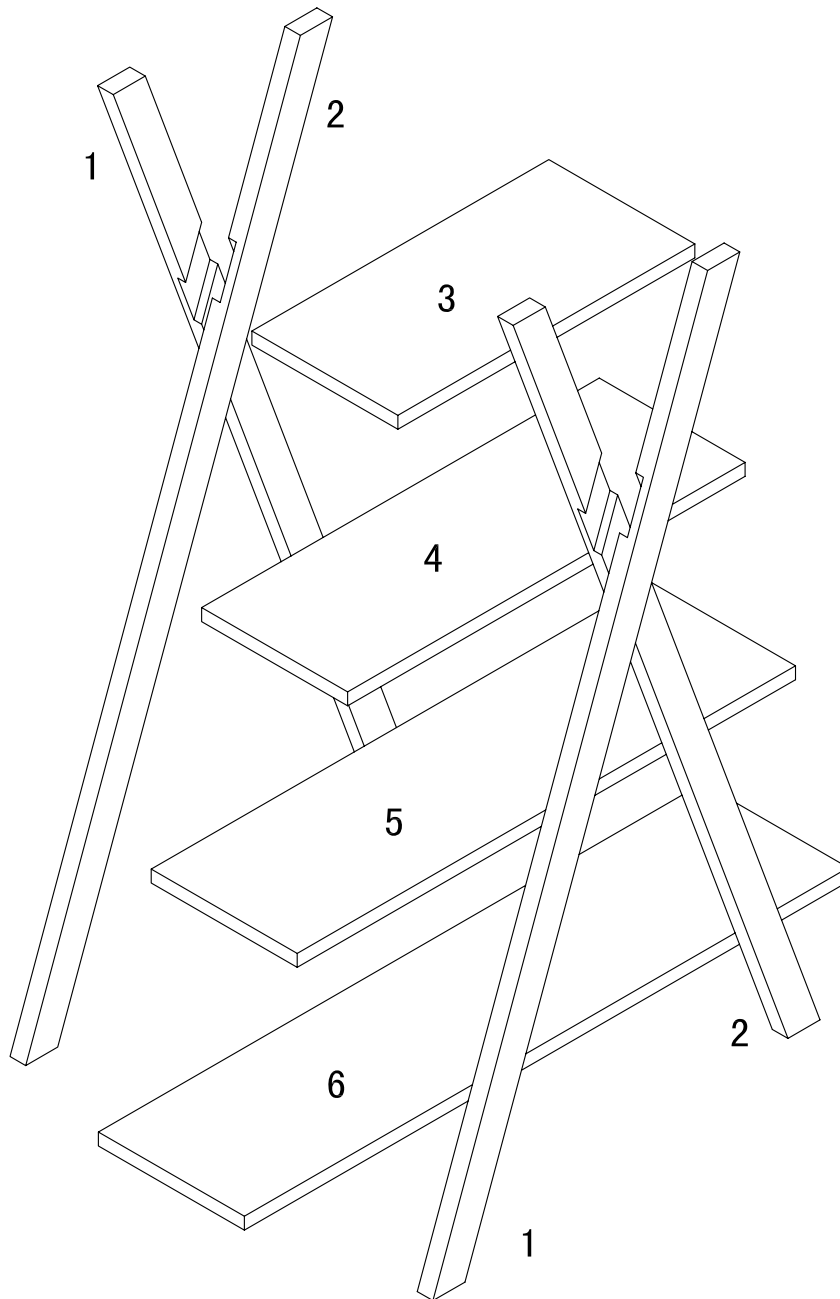
Tip #2: Using page 2 and/or page 3 of instruction manual make sure all pieces and hardware are accounted for.

Tip #3: Read manual before assembling, it helps!



PARTS IDENTIFICATION

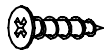
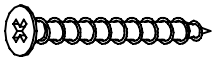
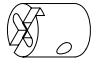

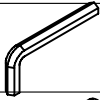
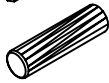
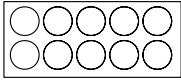
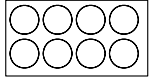

ITEM#: 27132



(1)	2pcs	(4)	1pc
(2)	2pcs	(5)	1pc
(3)	1pc	(6)	1pc

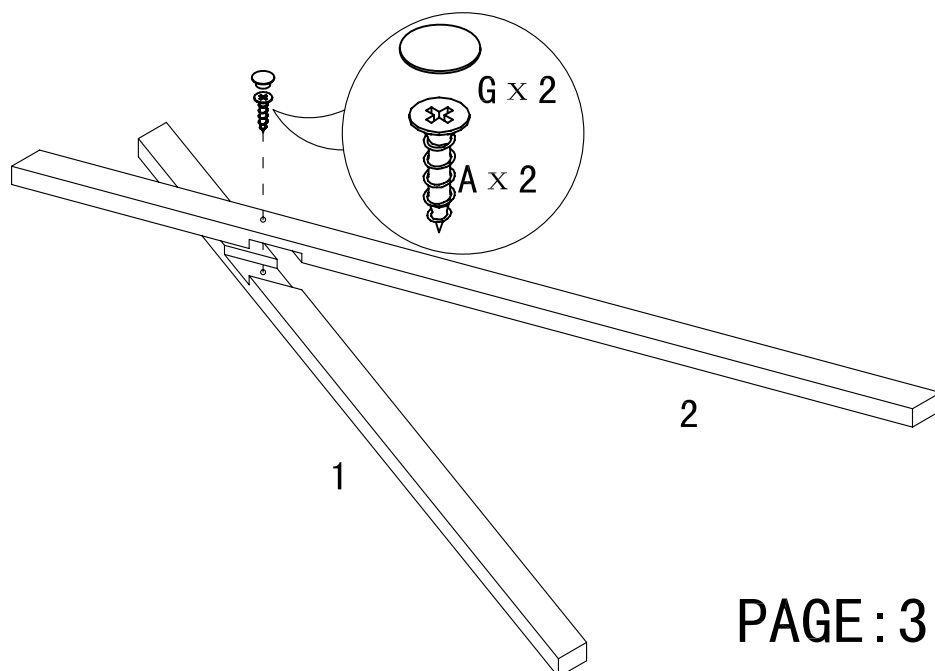
HARDWARE IDENTIFICATION

ITEM#: 27132

A		$\phi 4 \times 25$	2pcs
B		$\phi 4 \times 50$	8pcs
C		$\phi 10 \times 15$	8pcs
D		$\phi 6 \times 65$	8pcs
E		M4	1pc
F		$\phi 8 \times 25$	16pcs
G		$\phi 13$	10pcs
H		$\phi 18$	8pcs
I		It's used for stick the stopper to the connecting hole firmly	1pc

ASSEMBLY INSTRUCTION

ITEM#: 27132

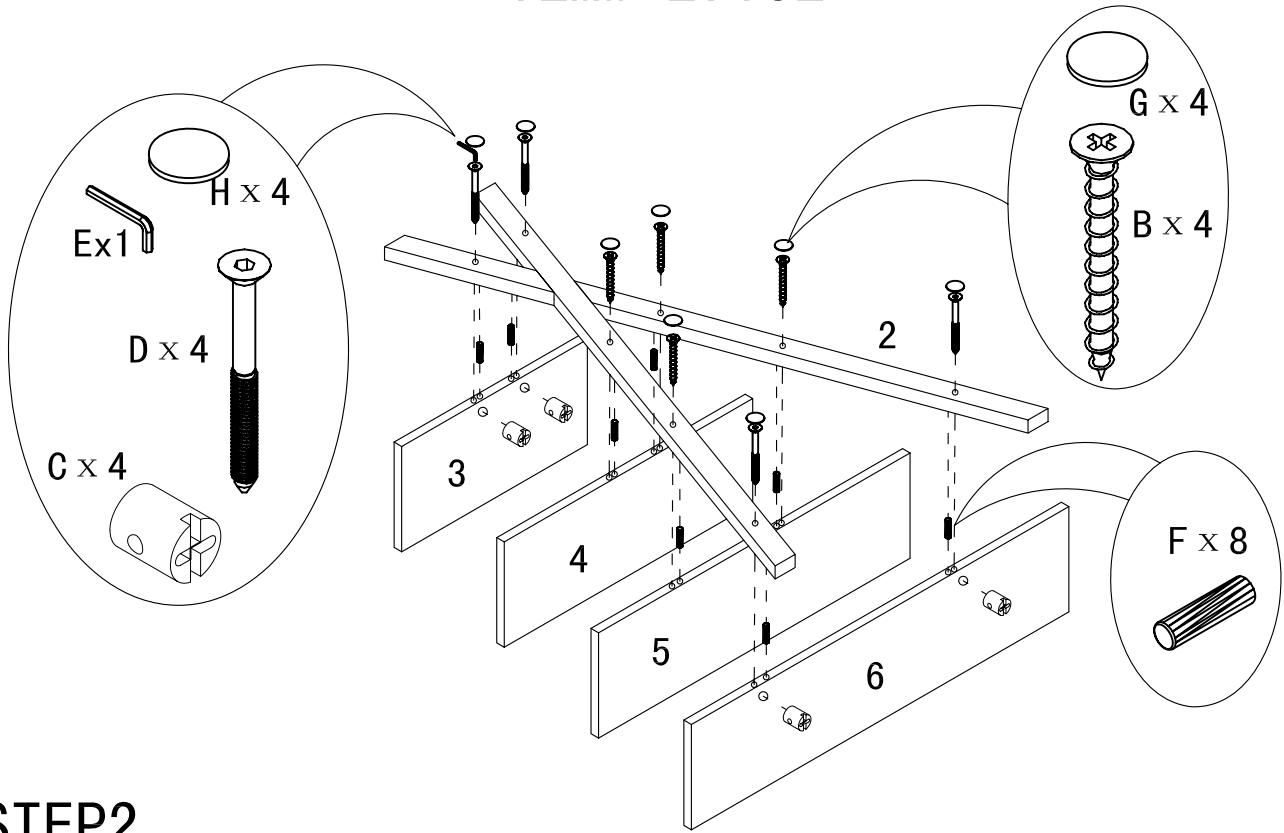


STEP1

PAGE: 3 OF 4

ASSEMBLY INSTRUCTION

ITEM#: 27132



STEP 2

STEP 3

