

ASSEMBLY INSTRUCTION

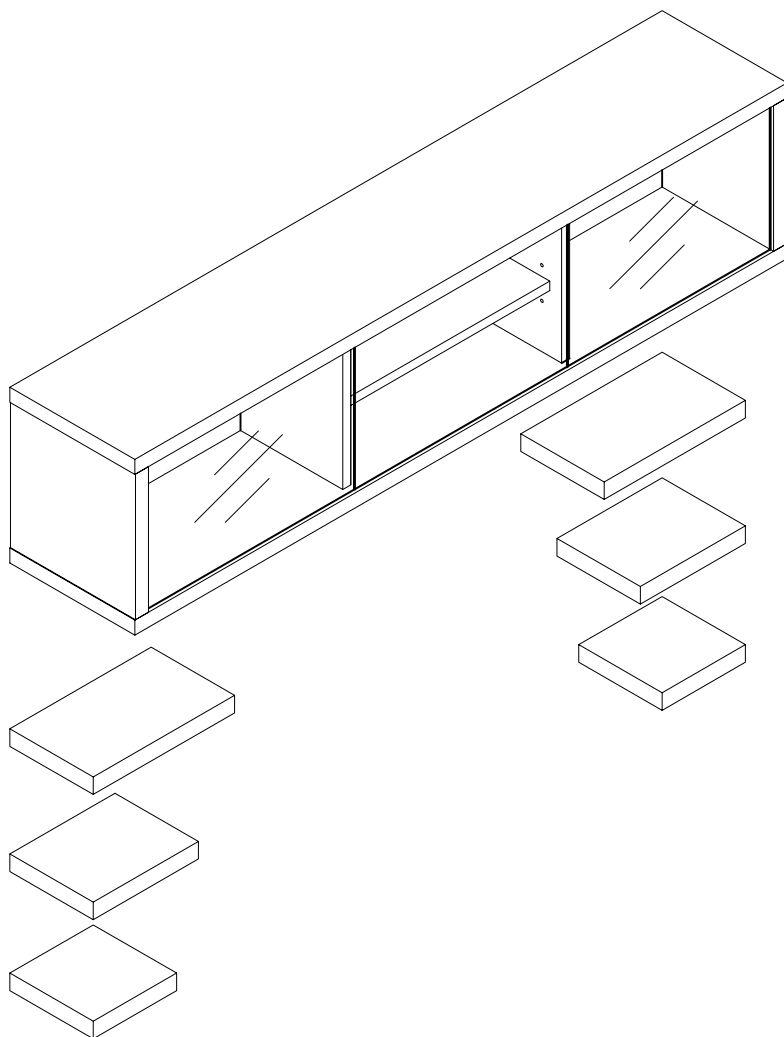
PLEASE READ BEFORE ASSEMBLING!

Tip #1: Make sure you've taken all the pieces and hardware out of its packaging before discarding the box.

Tip #2: Using page 2 and/or page 3 of instruction manual make sure all pieces and hardware are accounted for.

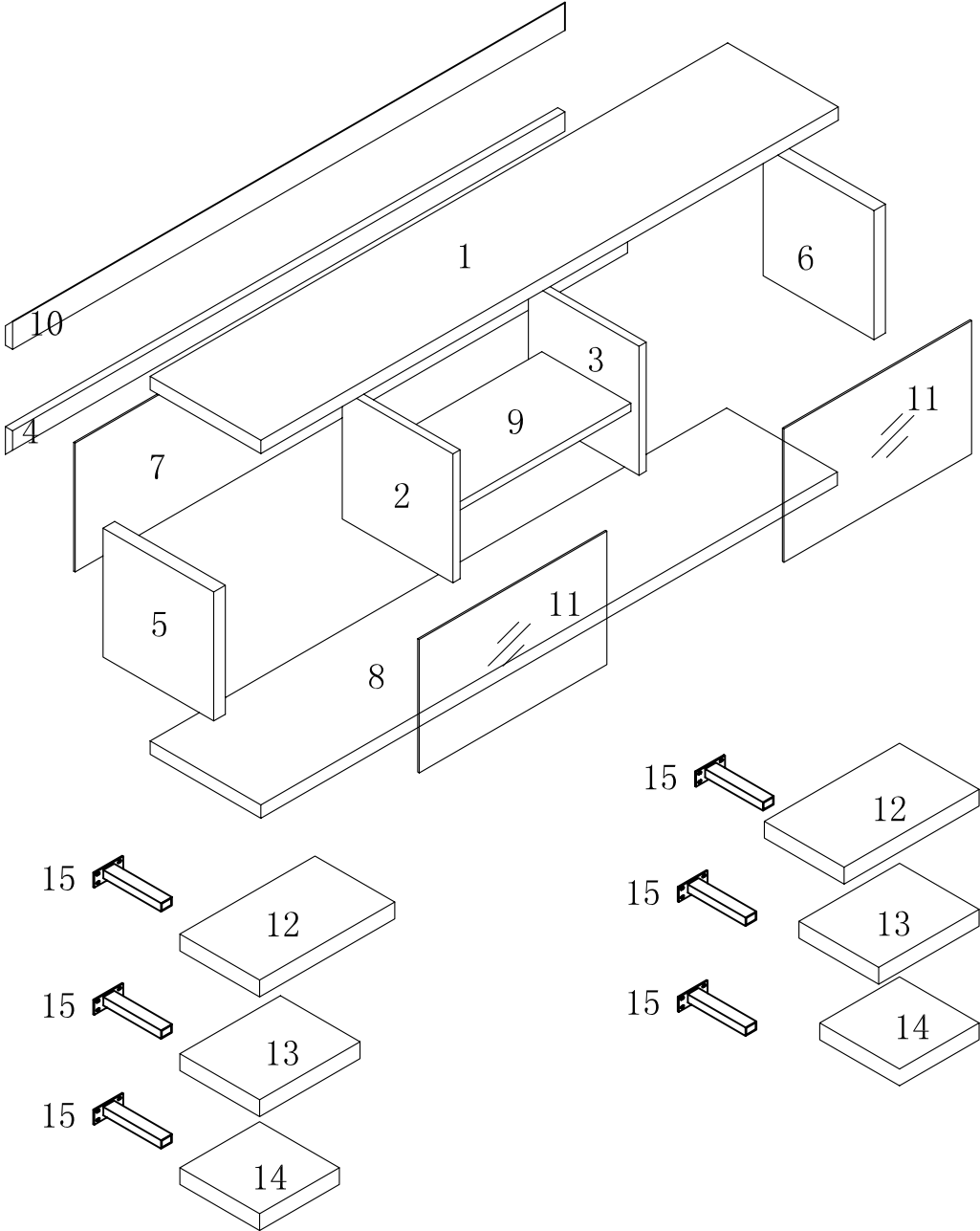
Tip #3: Read manual before assembling, it helps!

ITEM#: 10369



PARTS IDENTIFICATION


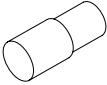
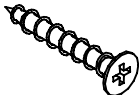
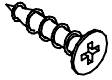



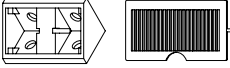
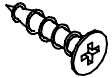
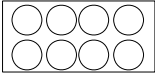
ITEM#: 10369



(1)	1pc	(6)	1pc	(11)	2pcs
(2)	1pc	(7)	1pc	(12)	2pcs
(3)	1pc	(8)	1pc	(13)	2pcs
(4)	1pc	(9)	1pc	(14)	2pcs
(5)	1pc	(10)	1pc	(15)	6pcs

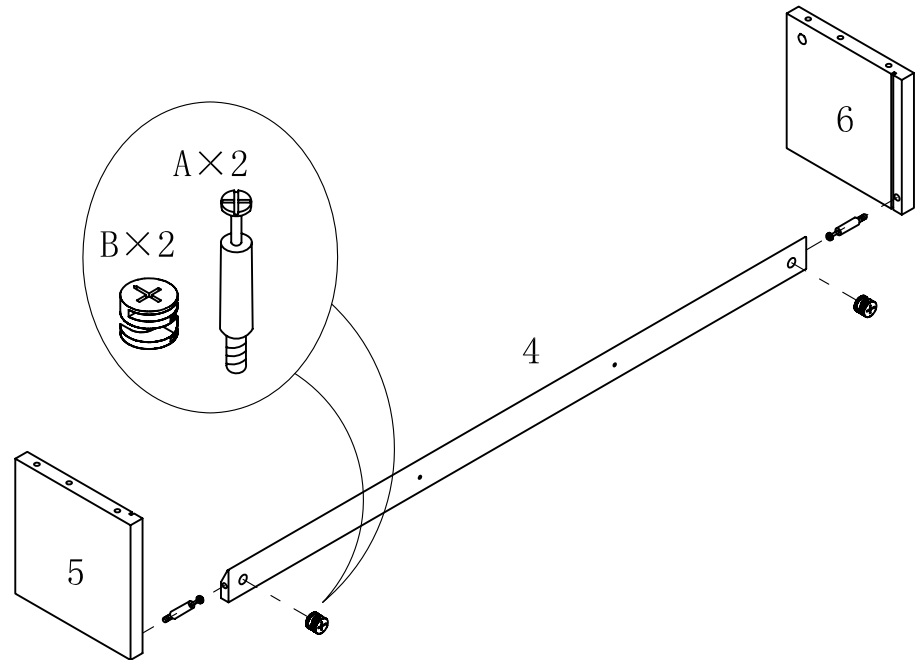
HARDWARE IDENTIFICATION

ITEM#: 10369

A		L29	2pcs
B		ϕ 15	2pcs
C		ϕ 8 \times 25	7pcs
D		ϕ 8	4pcs
E			32pcs
F		ϕ 4 \times 50	4pcs
G		ϕ 4 \times 25 (Black)	24pcs
H		ϕ 4 \times 40	38pcs
I		ϕ 18	8pcs
J		ϕ 7 \times 48	8pcs
K		ϕ 6 \times 30	4pcs
L		43 \times 20 \times 20	2sets
M		ϕ 4 \times 16	4pcs
N		ϕ 13	8pcs
O		Glue: For securing please apply to wood dowel first before inserting into panel	1pc

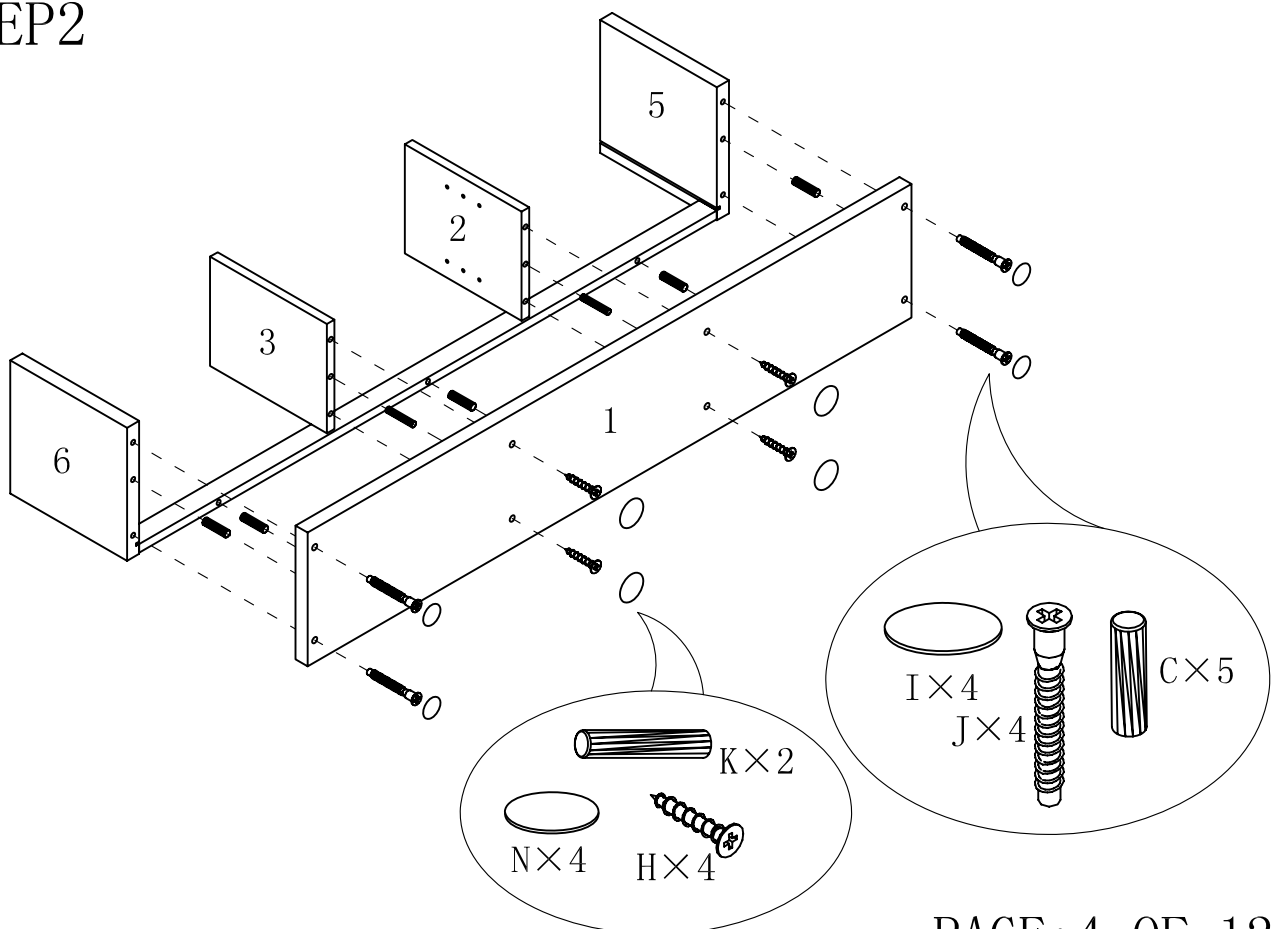
ASSEMBLY INSTRUCTION

ITEM#: 10369



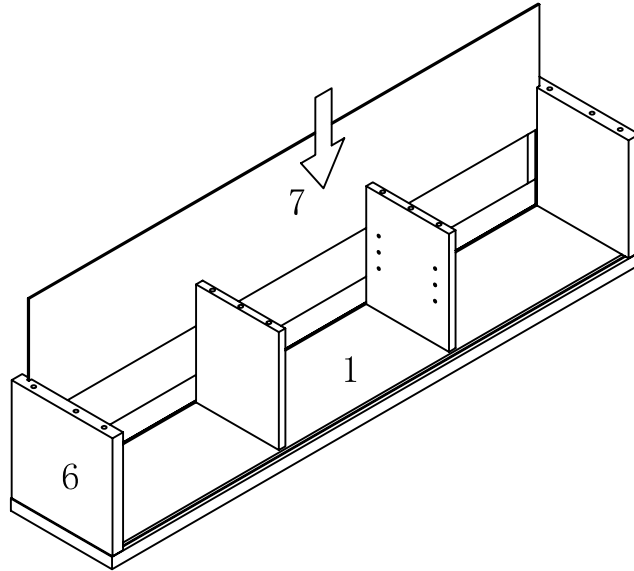
STEP 1

STEP 2



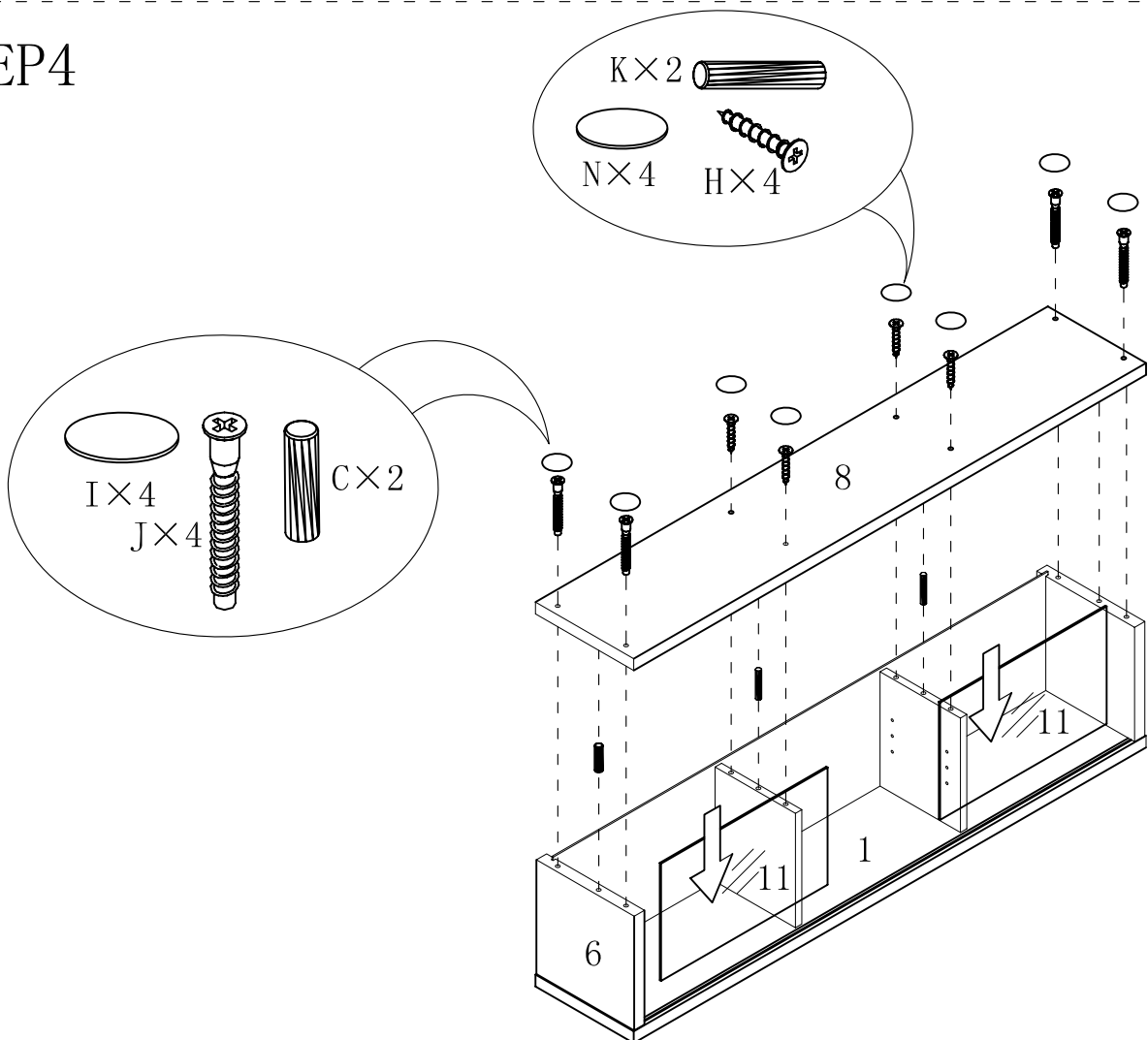
ASSEMBLY INSTRUCTION

ITEM#: 10369



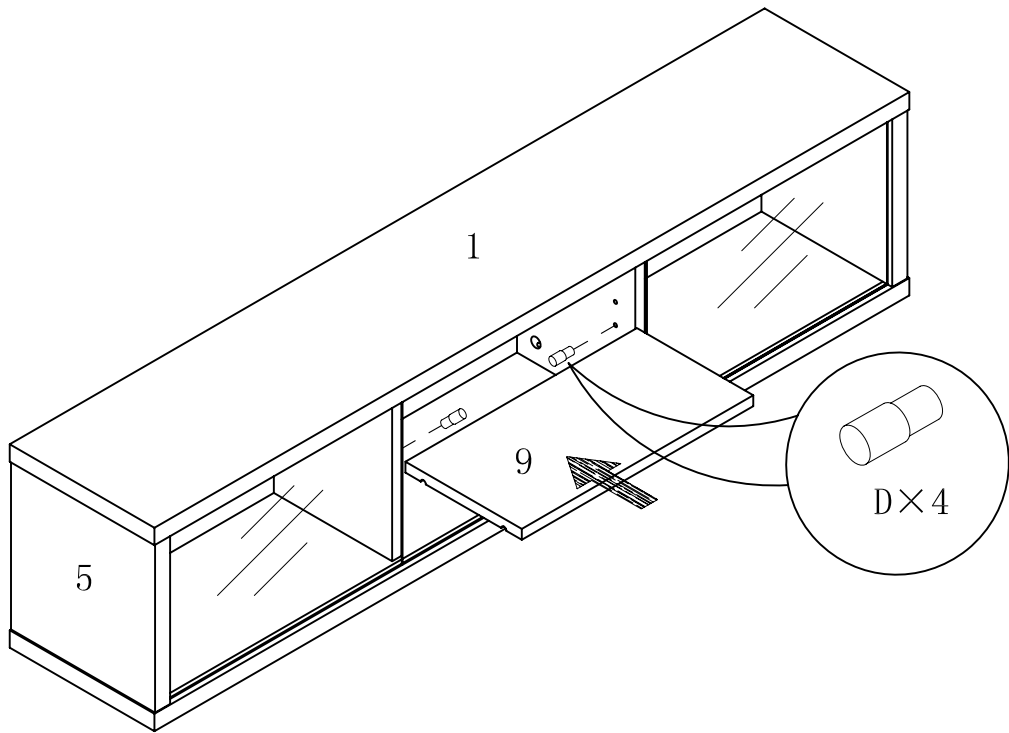
STEP 3

STEP 4



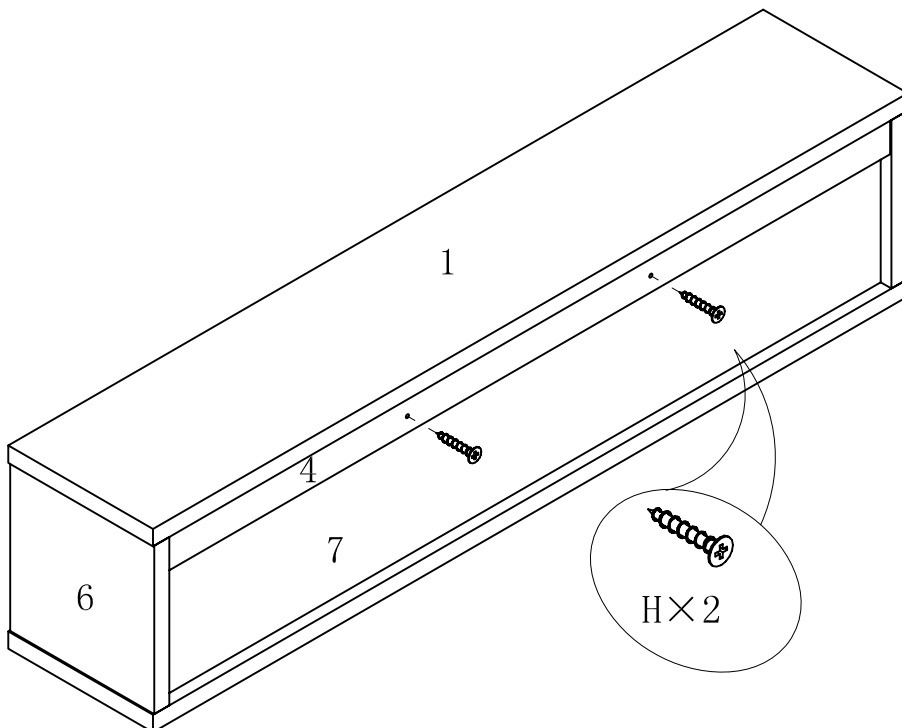
ASSEMBLY INSTRUCTION

ITEM#: 10369



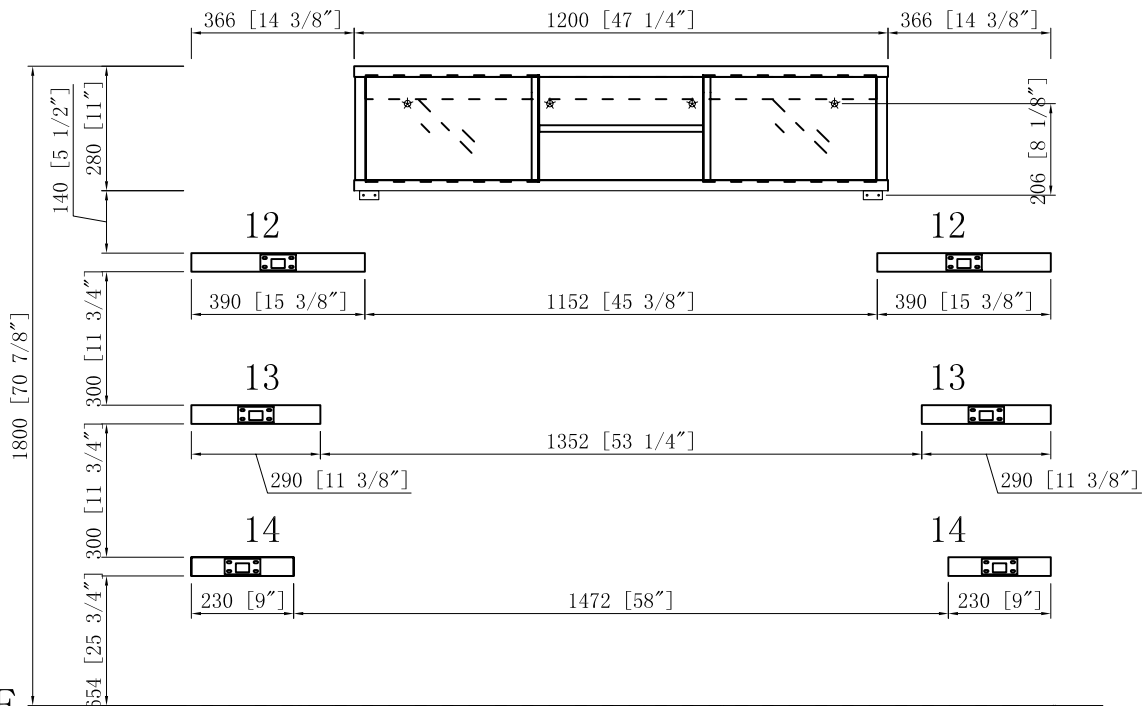
STEP5

STEP6

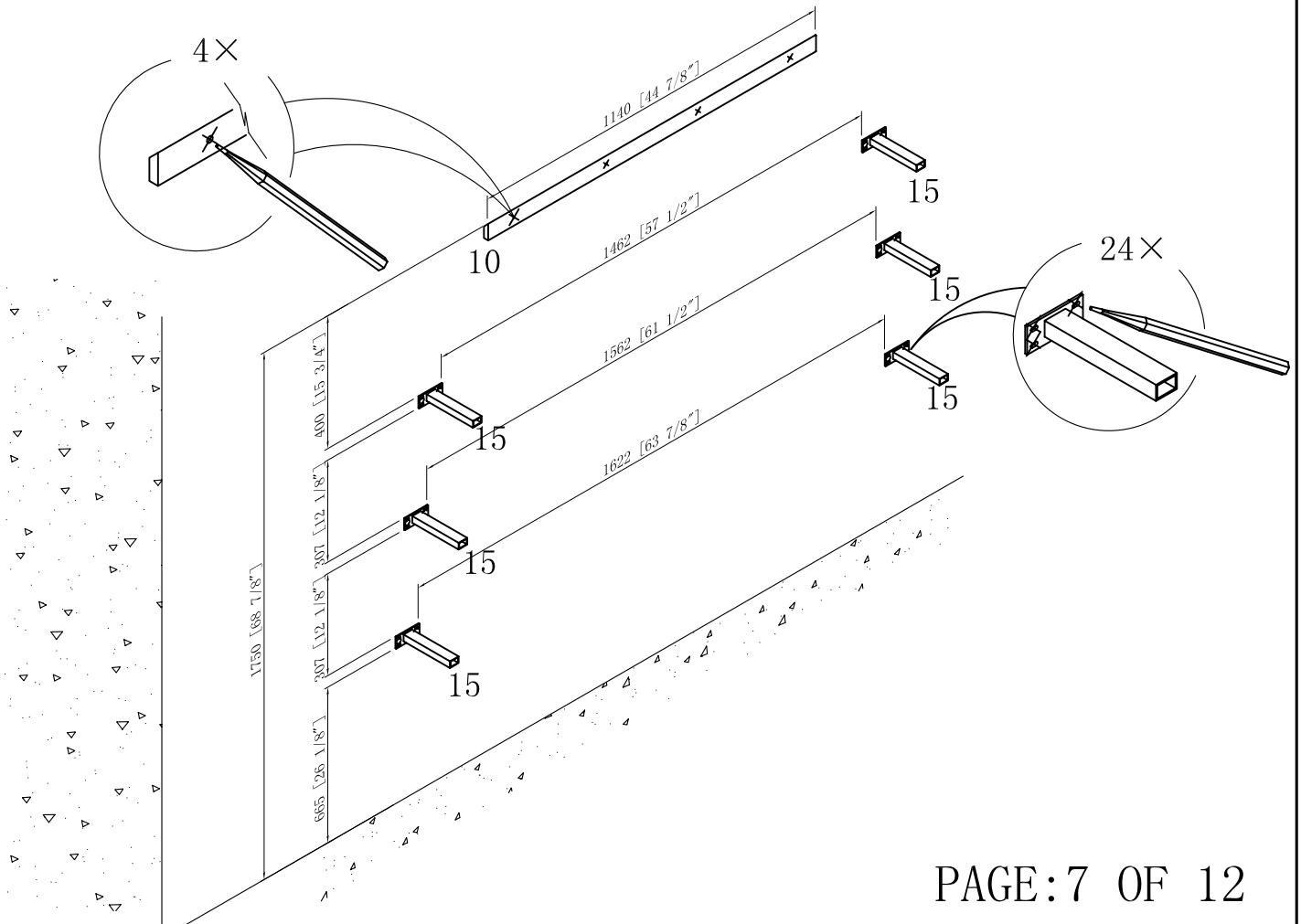


ASSEMBLY INSTRUCTION

ITEM#: 10369

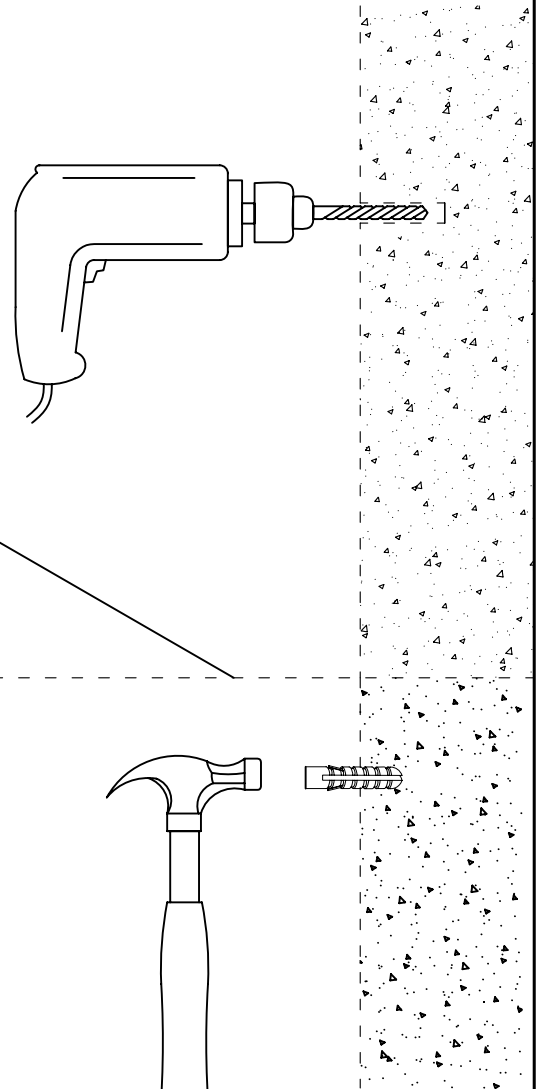
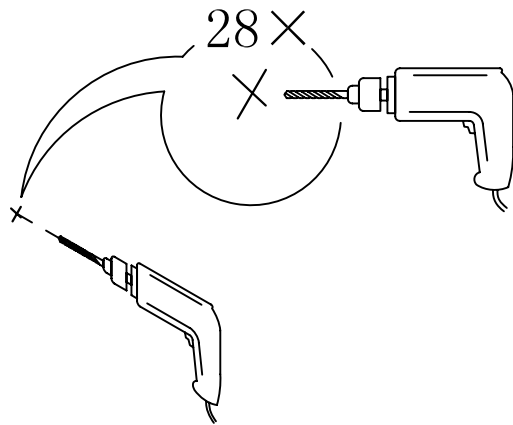


SAMPLE
LOCATION



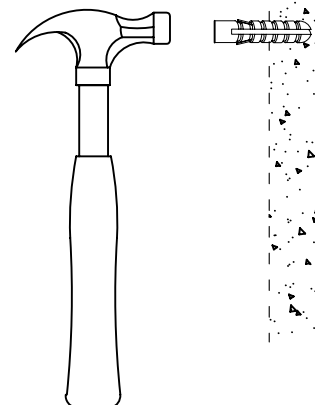
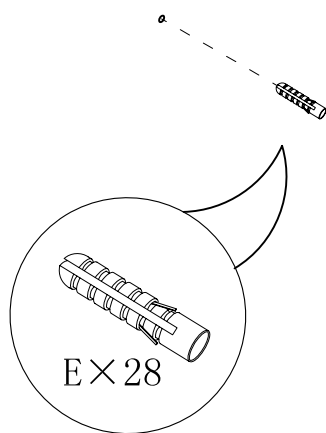
ASSEMBLY INSTRUCTION

ITEM#: 10369



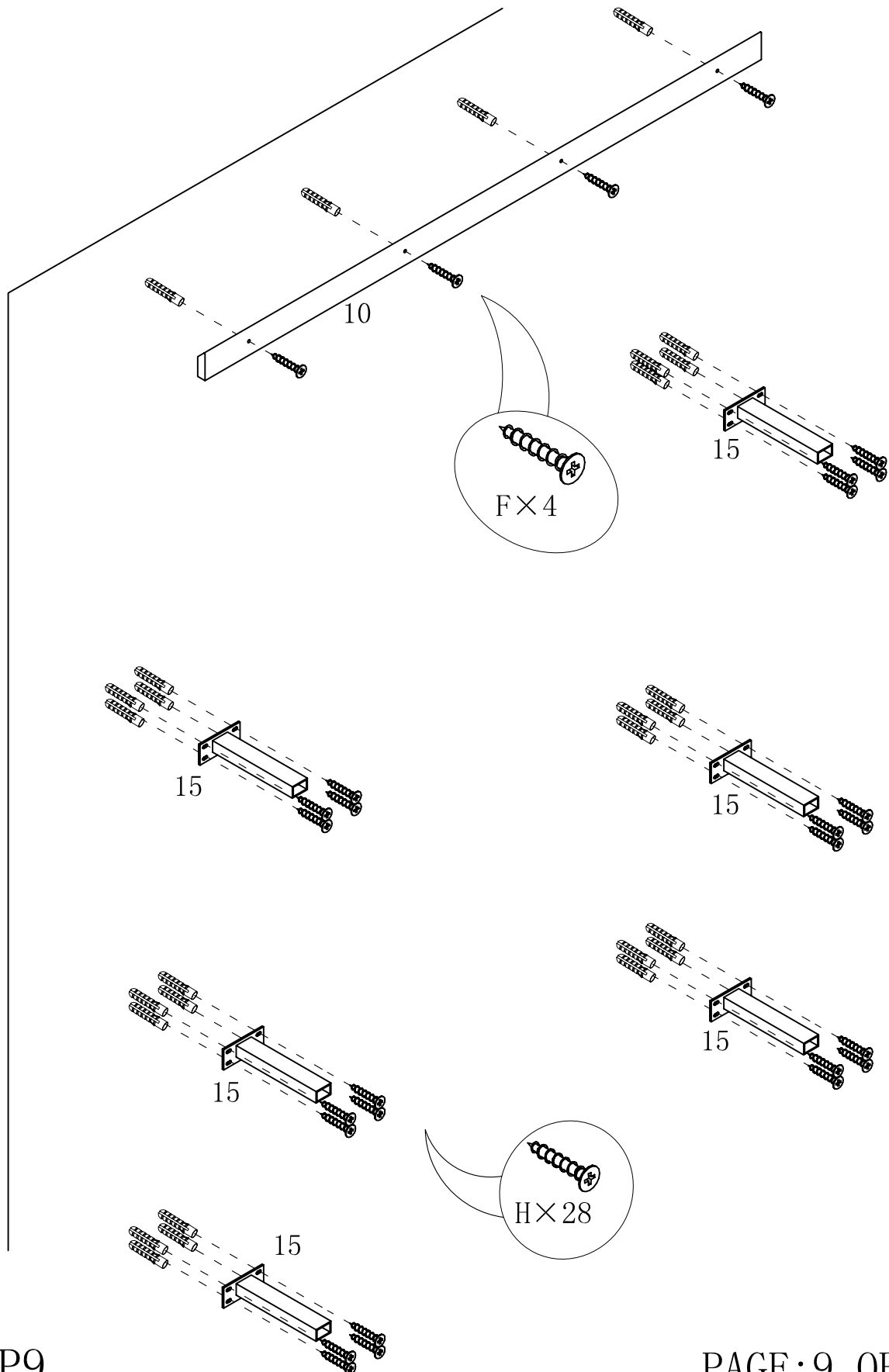
STEP 7

STEP 8



ASSEMBLY INSTRUCTION

ITEM#: 10369

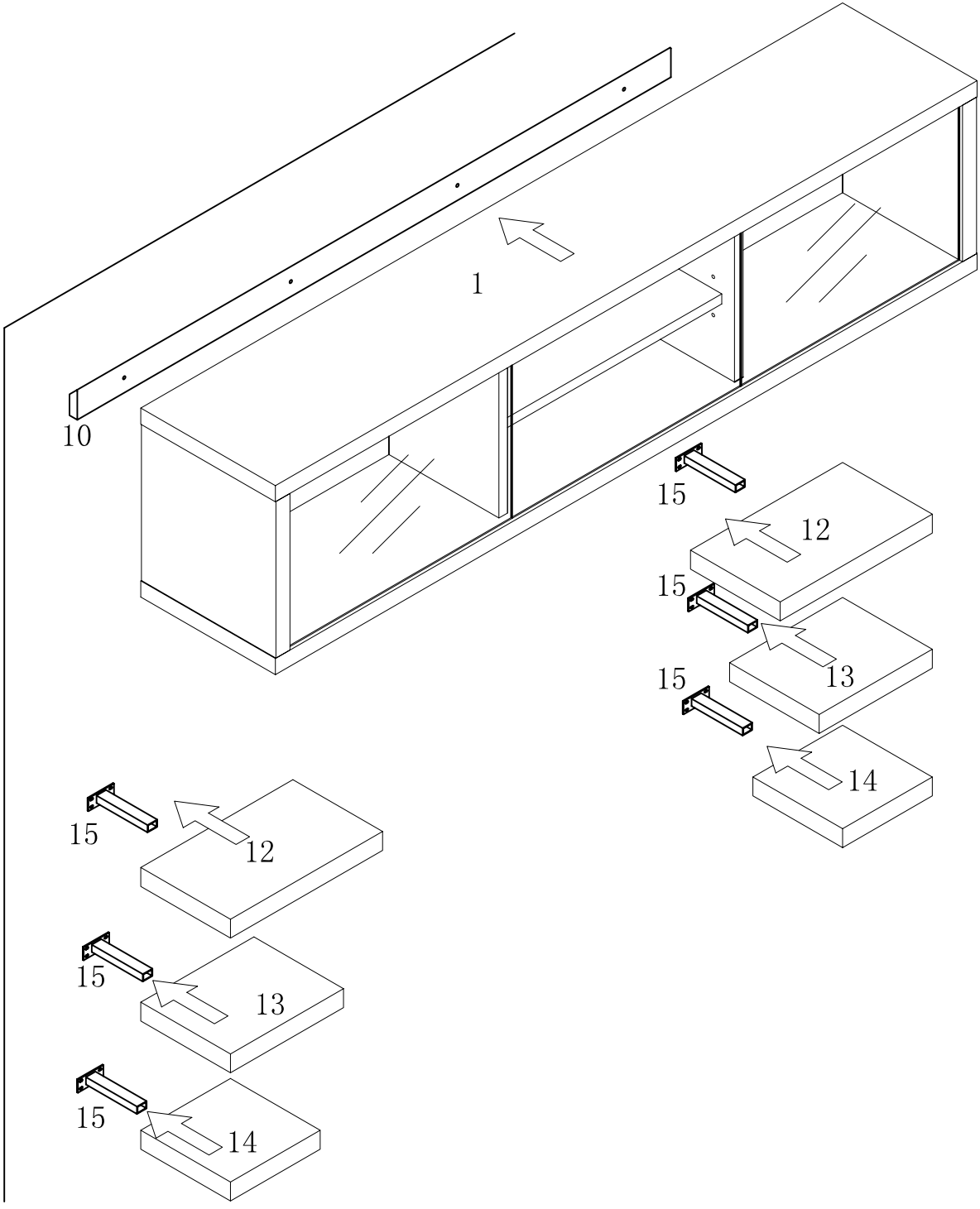


STEP9

PAGE:9 OF 12

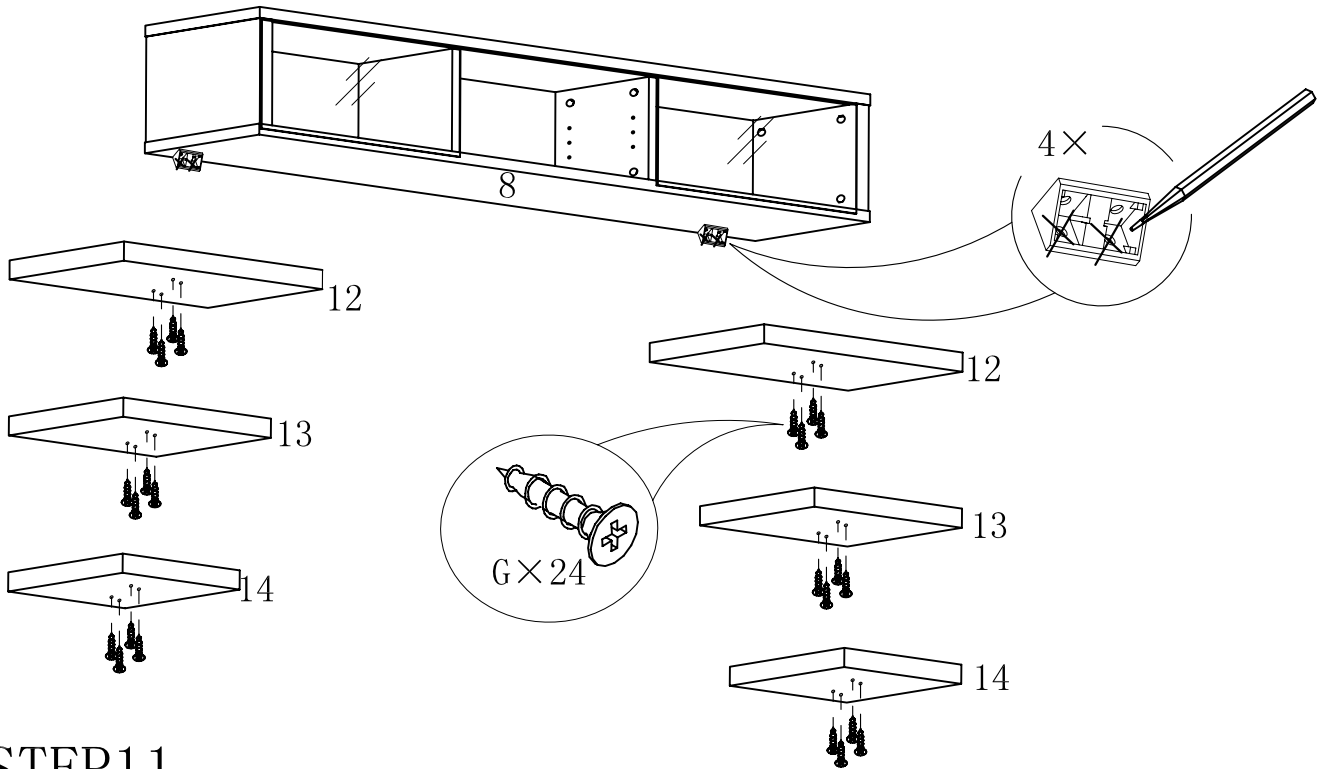
ASSEMBLY INSTRUCTION

ITEM#: 10369



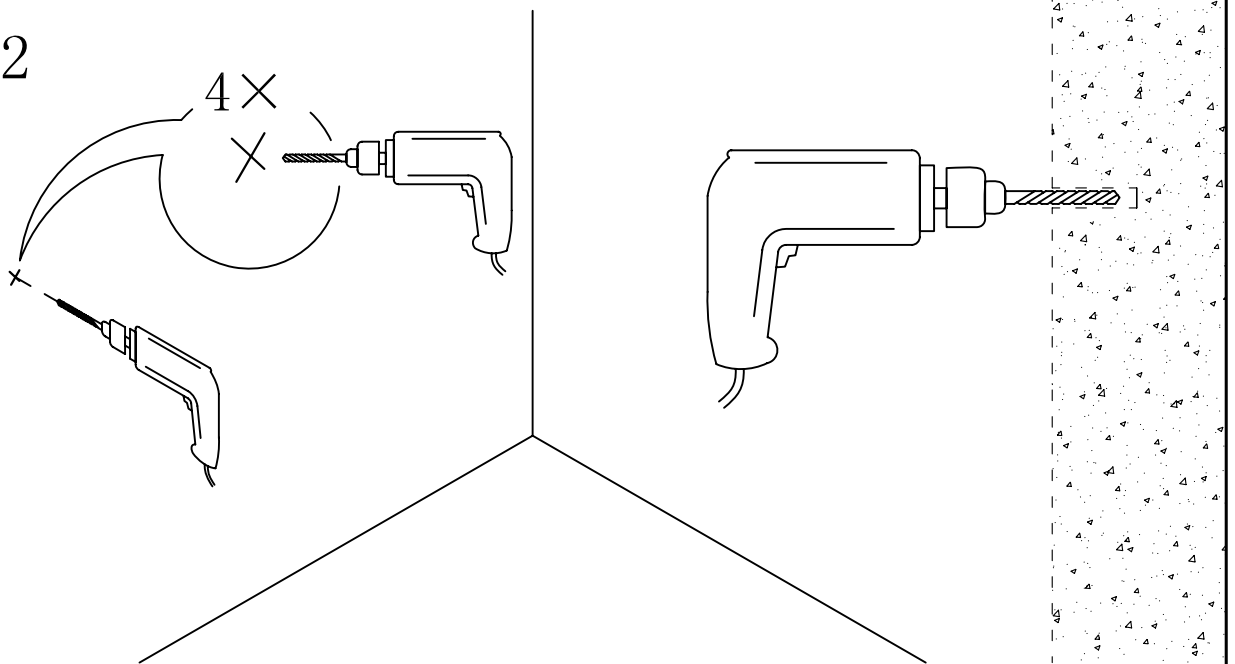
ASSEMBLY INSTRUCTION

ITEM#: 10369



STEP 11

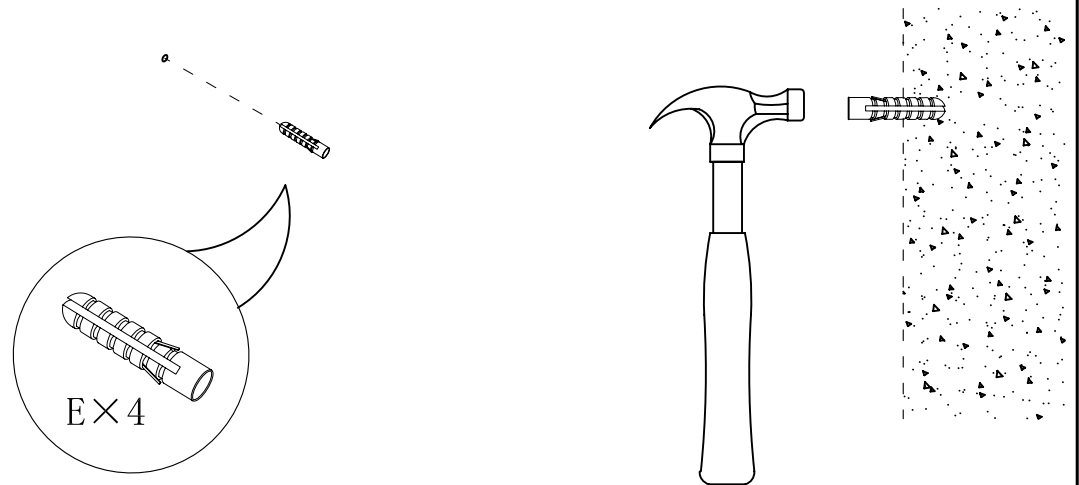
STEP 12



ASSEMBLY INSTRUCTION

ITEM#: 10369

STEP 13



STEP 14

