

# ASSEMBLY INSTRUCTION

---

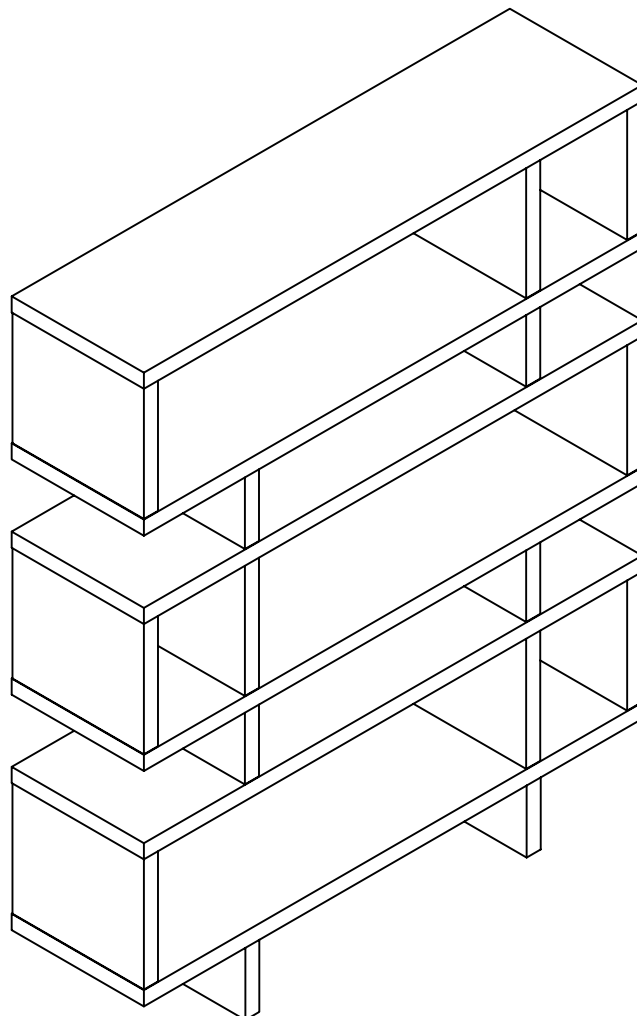
## **PLEASE READ BEFORE ASSEMBLING!**

Tip #1: Make sure you've taken all the pieces and hardware out of its packaging before discarding the box.

Tip #2: Using page 2 and/or page 3 of instruction manual make sure all pieces and hardware are accounted for.

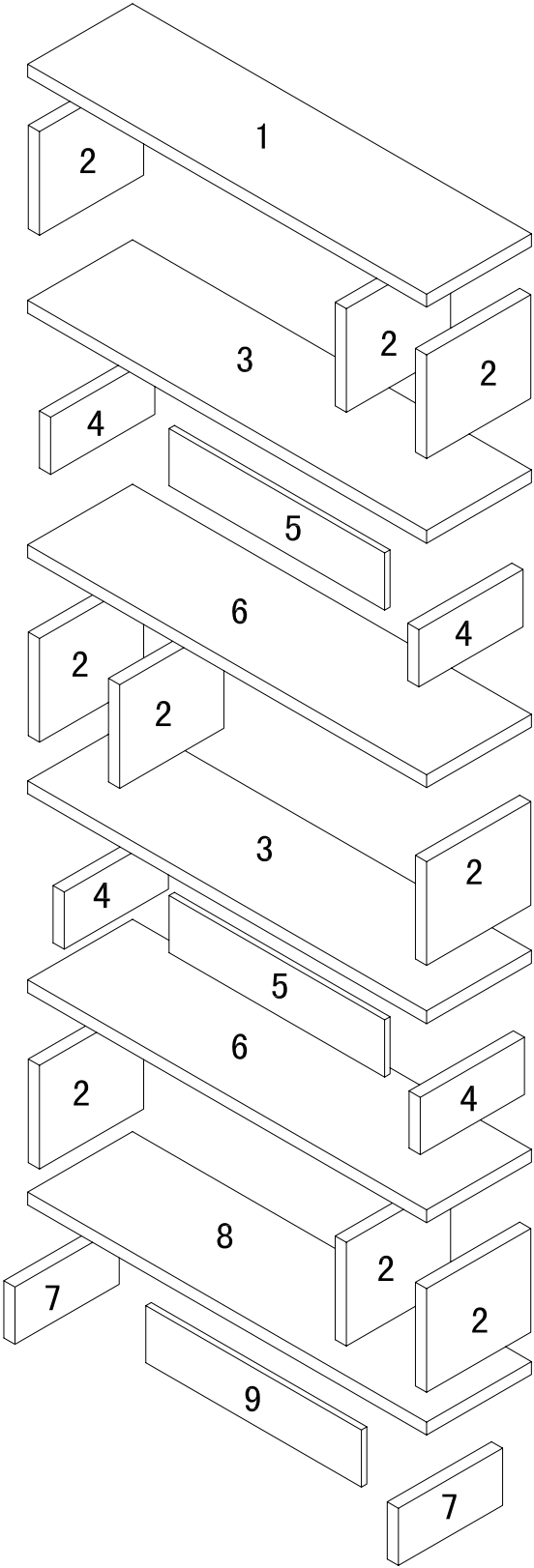
Tip #3: Read manual before assembling, it helps!

ITEM#: 29258



# PARTS IDENTIFICATION



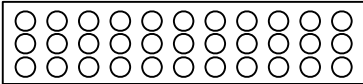
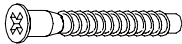


ITEM#: 29258



(1)	1pc
(2)	9pcs
(3)	2pcs
(4)	4pcs
(5)	2pcs
(6)	2pcs
(7)	2pcs
(8)	1pcs
(9)	1pcs

# HARDWARE IDENTIFICATION

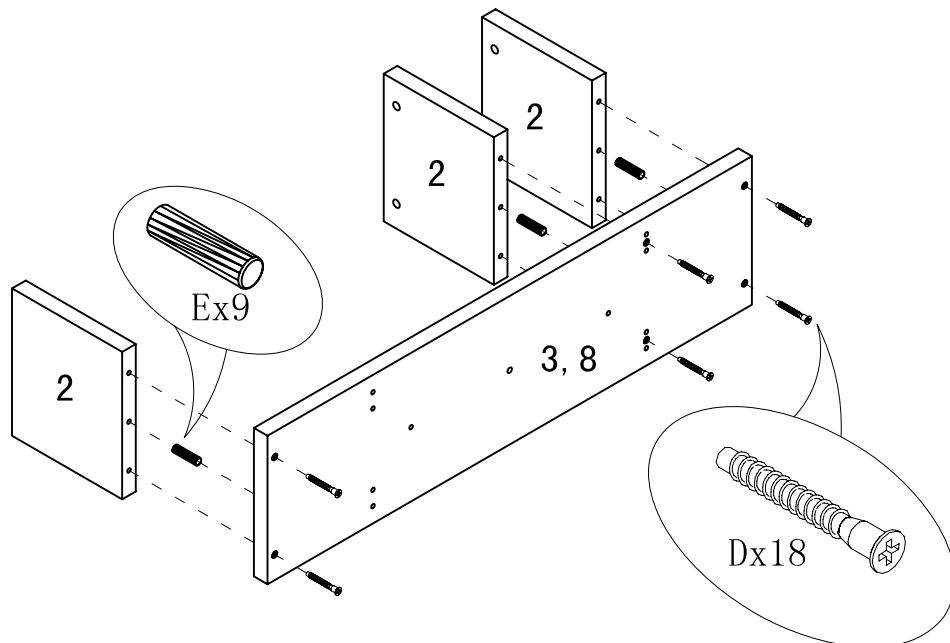
ITEM#: 29258

A		L29	33pcs
B		$\Phi$ 15	33pcs
C		$\Phi$ 18	33pcs
D		$\Phi$ 7x48	26pcs
E		$\Phi$ 8x25	54pcs
F		It's used for stick the stopper to the connecting hole firmly	1pc

# ASSEMBLY INSTRUCTION

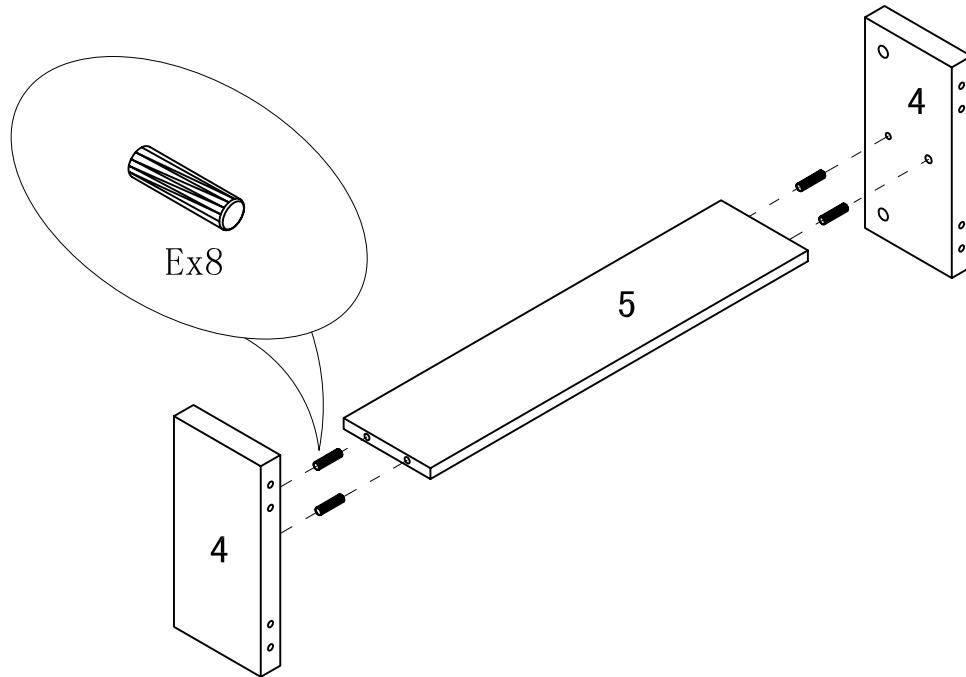
ITEM#: 29258

STEP1



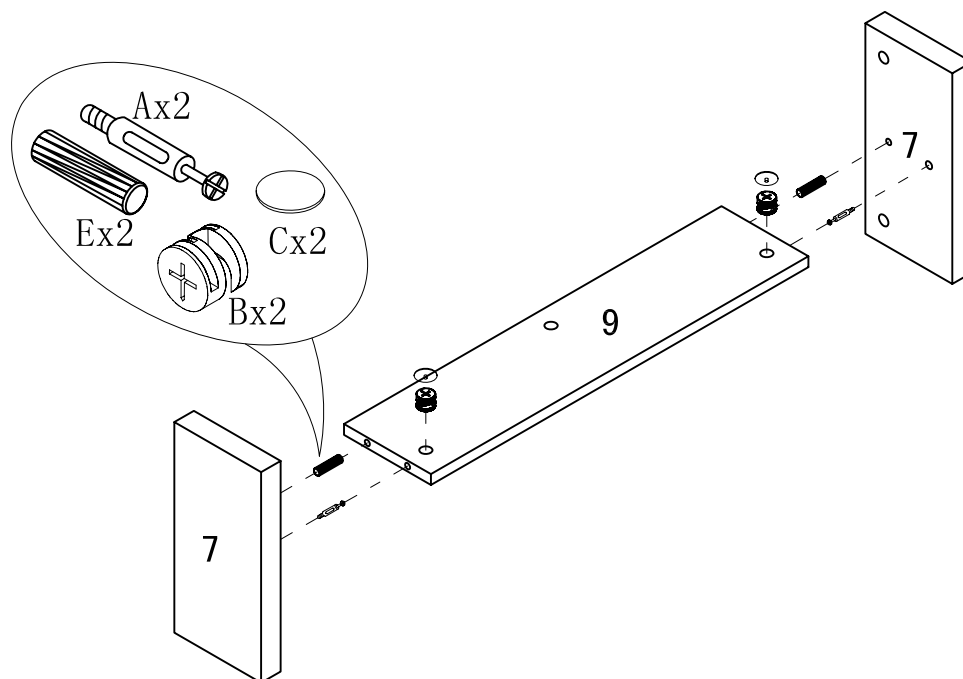
# ASSEMBLY INSTRUCTION

ITEM#: 29258



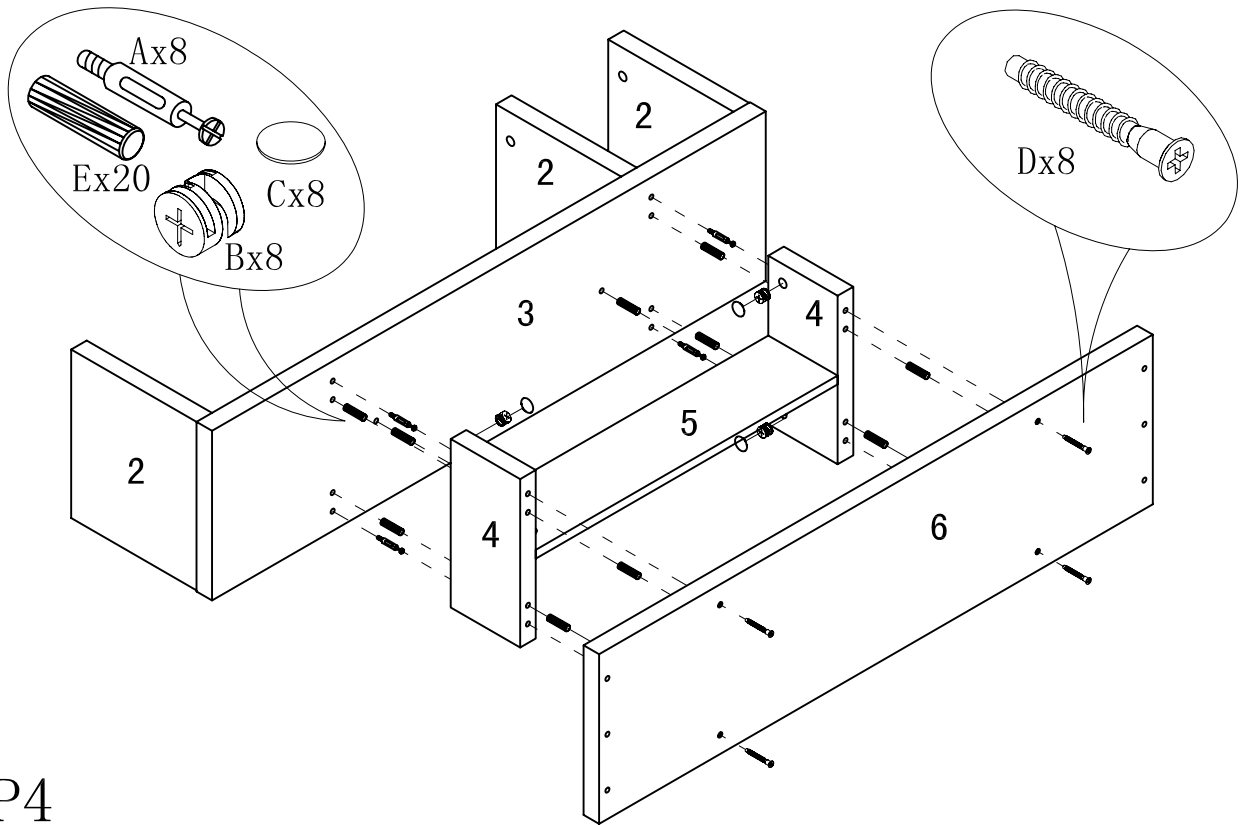
STEP2

STEP3



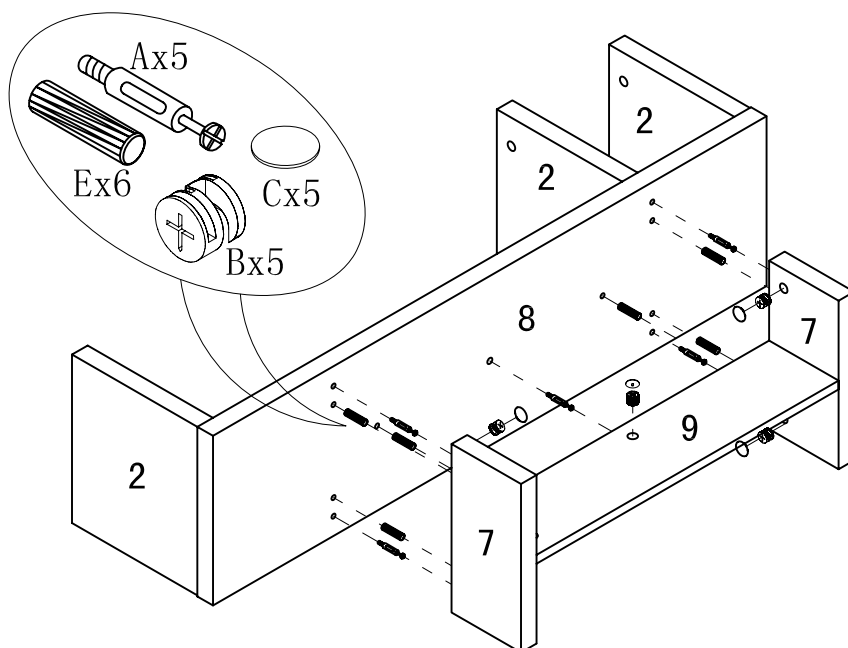
# ASSEMBLY INSTRUCTION

ITEM#: 29258



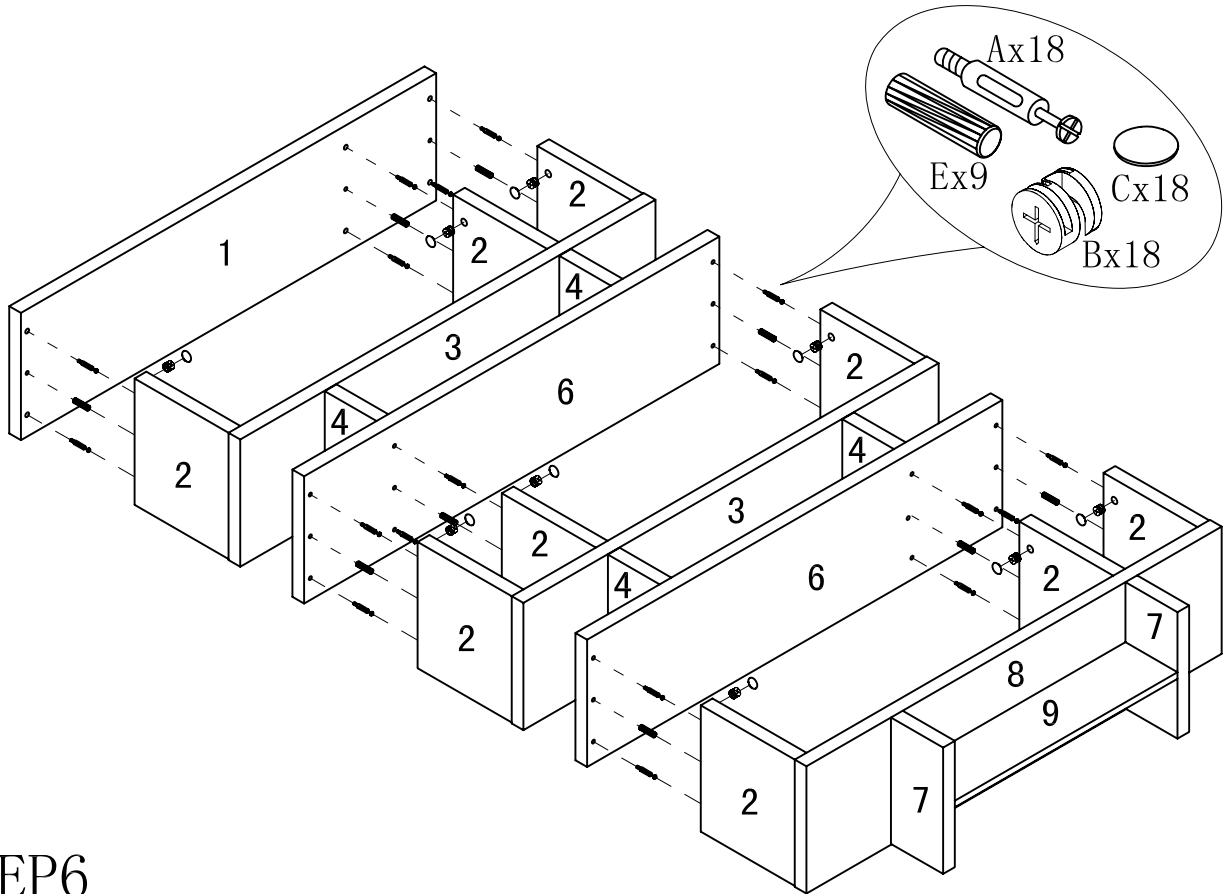
STEP4

STEP5



# ASSEMBLY INSTRUCTION

ITEM#: 29258



STEP6

STEP7

