

Specification Sheets for The Simplicity line of bath vanities by Strasser Woodenworks with Vitreous China Tops.

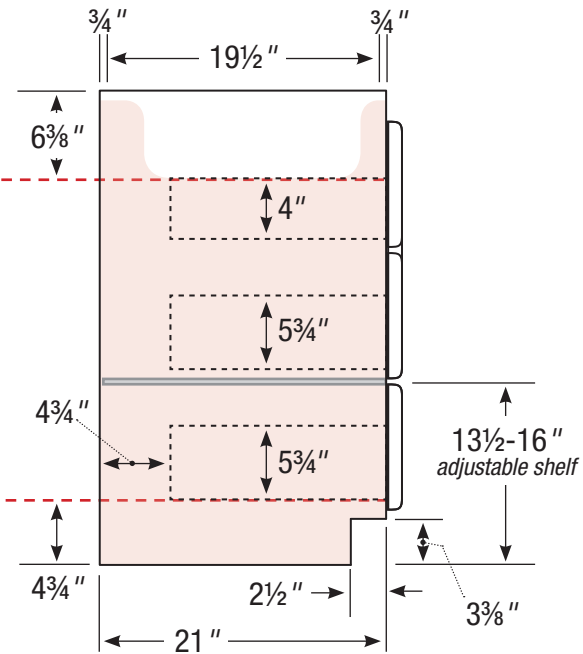
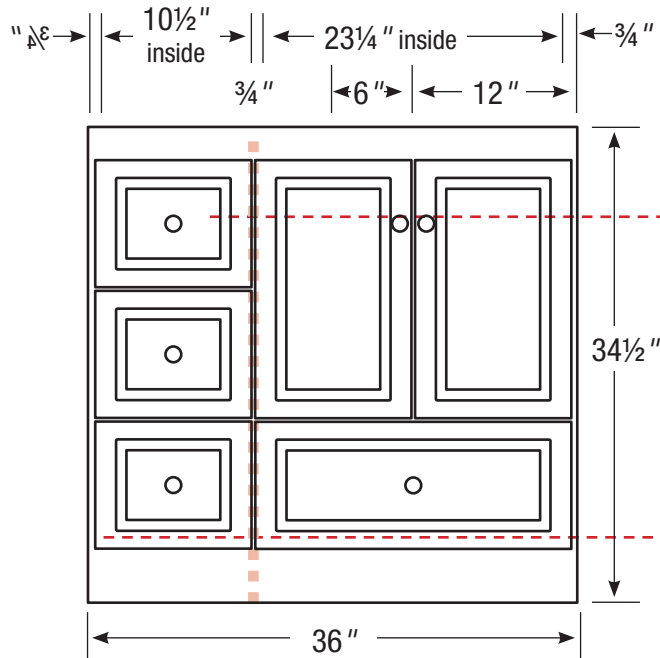
SPECIFICATION VARIANCES

Dimensions on finished vanities may vary slightly from those shown on these specification sheets due to variability in construction materials.

Our products are engineered to maintain close dimensional tolerances but variability in manufacturing materials can change dimensions slightly (normally within $\pm 1/8$ " but occasionally up to $\pm 3/16$ ").

In most applications these slight variations will have no impact upon installation, appearance, or function. However, when planning and finishing a space for a built in vanity, **do not frame or finish the space before measuring the actual cabinet!**

We can not be responsible for any expenses incurred as a result of the end user or contractor not following this guideline.



Internal Divider ■■■■■

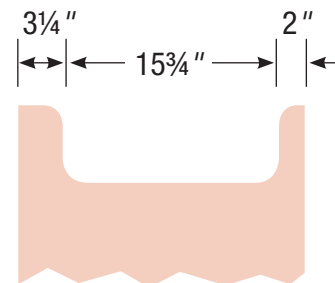
36" Vanity

Left hand drawers

36" wide

34 1/2" tall

21" front-to-back



37" Wide Vitreous China Vanity Top

