
Sistine Stone™

Neo Threshold Shower System Installation Guide



**IF YOU NEED
ASSISTANCE,
CALL 1-800-454-2284
7:15AM - 4:00PM PST
MON. THRU FRI.**

Watch our Installation Video on [Youtube.com/americanbathfactory](https://www.youtube.com/americanbathfactory)



Congratulations on the purchase of your new shower system. This guide will give you instructions on the installation.

Natural Travertine Stone Appearance

All of our stone products are custom made and hand-crafted to look and feel like authentic travertine. As you may know, travertine is a form of limestone that has been under pressure for thousands of years. The product of long-ago hot and cold springs and waterfalls, travertine is a beautifully banded and colored stone with a unique character. Among its most appealing characteristics are the interesting craters and depressions, created by streams of water that flowed through the stone.

We have taken great care in reproducing the appearance of genuine travertine stone, including the craters and depressions to give it a beautiful and authentic look.

Installation time may vary depending on your experience, complexity of shower, and “Pre Installation Preparation Work” which may include:

plumbing relocation, drain relocation and bathroom demolition.

Prior to demolition, scheduling a contractor or building your shower, double check that you have all parts from the factory. Some applications may require a licensed plumber or contractor. Do not use any product spec sheets to begin installation before receiving product. These spec sheets are for reference only. Use actual product measurements only.

The figures throughout this guide illustrate a 36” x 36” shower. Depending on the size of the shower purchased, actual parts may vary in size from the figures shown.

Our goal is to help you achieve a quick and successful shower installation.



See the clock in each section for estimated installation time.

Missing or damaged hardware and tiles should be reported within 24 hours of receiving this shipment - Please call 1-800-454-2284 if you need assistance.

1

CHECK YOUR SHIPMENT AGAINST APPROPRIATE PACKING LIST

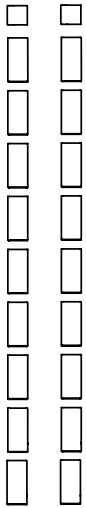
Make sure you have received all the items necessary for the installation. This will also familiarize you with all the parts and hardware you will need to install your shower. Package contents are dependent upon which package you ordered: Basic, Premium, Supreme or Grand.

✓ **CAUTION:** handle glass door and glass panels with care. Glass is heavy and fragile.

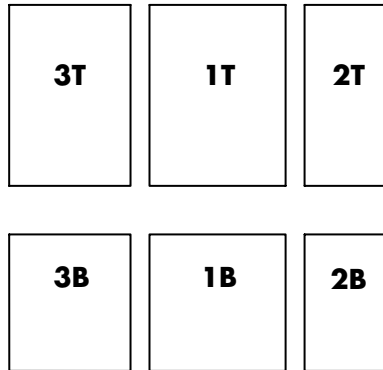
BASIC PACKAGE PACKING LIST

Depending on the size of the shower purchased, actual parts may vary in size from the figures shown.

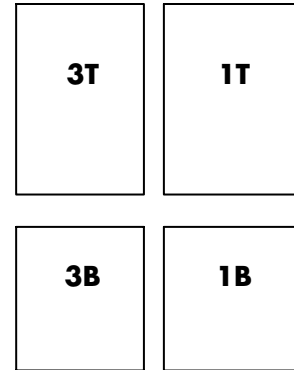
THRESHOLDS



WALLS for 60" width shower



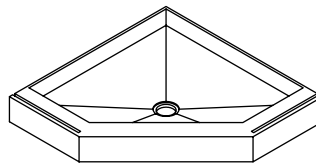
WALLS for 36"-54" width shower



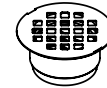
or

GROUT

PAN



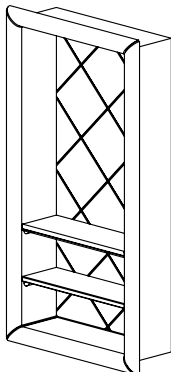
DRAIN



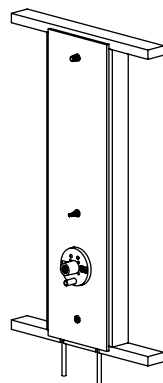
✓ Store panels on a clean, flat surface only. Leaning panels against a wall will cause them to warp.

OPTIONAL ITEMS

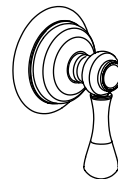
SHAMPOO SHELF



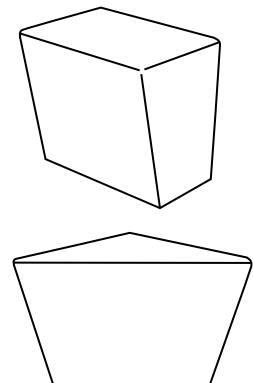
PLUMBER'S UPGRADE



SHOWER HEAD SHUTOFF



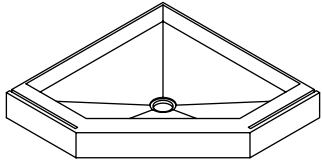
SHOWER BENCHES



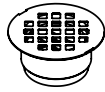
MISSING OR DAMAGED HARDWARE AND TILES SHOULD BE REPORTED WITHIN 24 HOURS AFTER YOU RECEIVE THIS SHIPMENT - PLEASE CALL 1-800-454-2284 FOR ASSISTANCE.

PREMIUM PACKAGE PACKING LIST

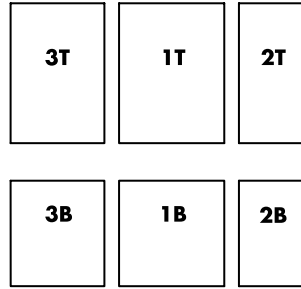
PAN



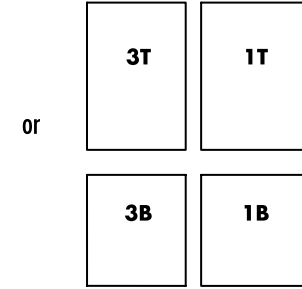
DRAIN



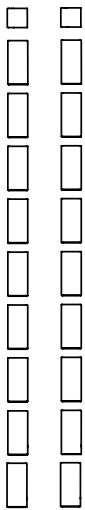
WALLS for 60" width shower



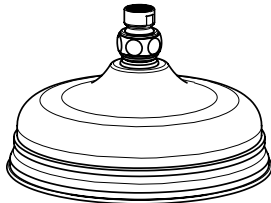
WALLS for 36"-54" width shower



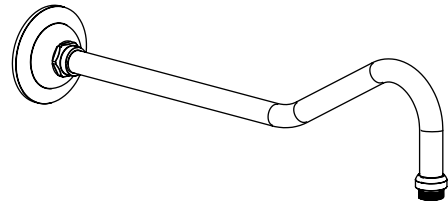
THRESHOLDS



SHOWER HEAD



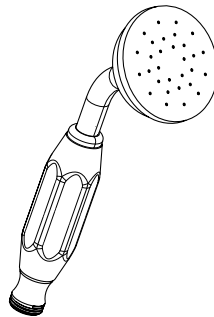
HOOKED SHOWER ARM



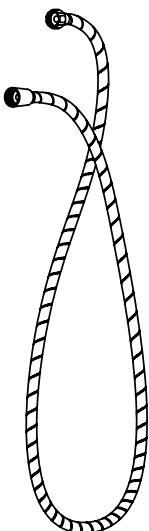
HAND SHOWER SUPPLY



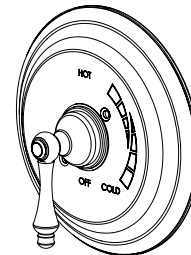
HAND SHOWER HANDLE



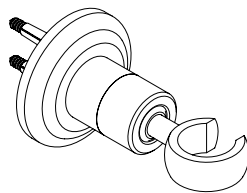
HAND SHOWER HOSE



SHOWER VALVE



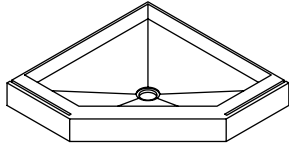
HAND SHOWER MOUNT



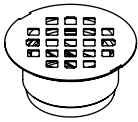
GROUT

SUPREME PACKAGE PACKING LIST

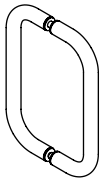
PAN



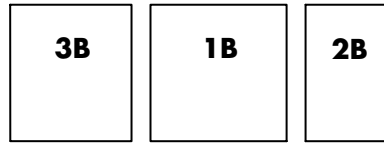
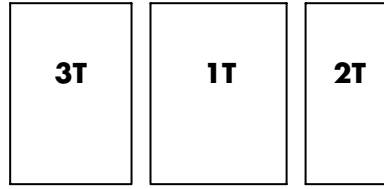
DRAIN



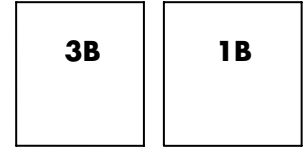
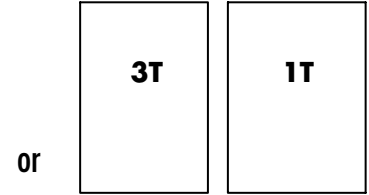
DOOR HANDLE



WALLS for 60" width shower

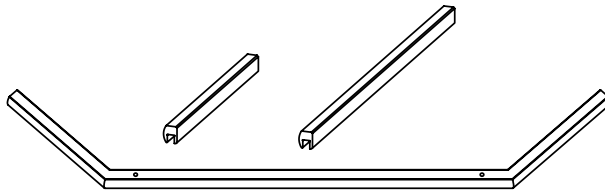


WALLS for 36"-54" width shower



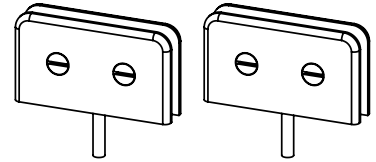
GROUT

GLASS HEADERS

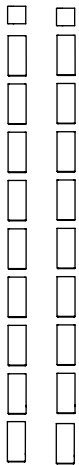


(You will have either 2 or 3 pieces depending on the size of your shower)

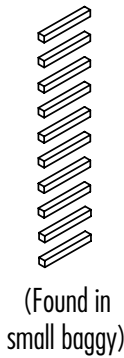
HINGES



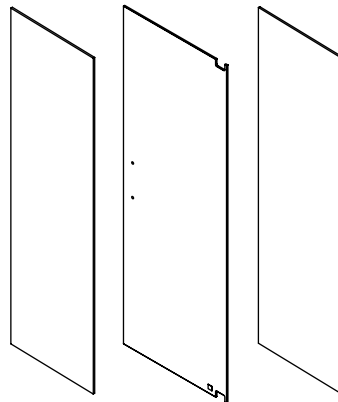
THRESHOLDS



SETTING BLOCKS



GLASS PANELS & DOOR



DOOR SEALS

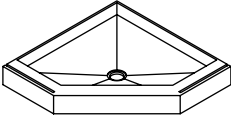


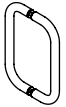
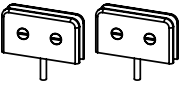
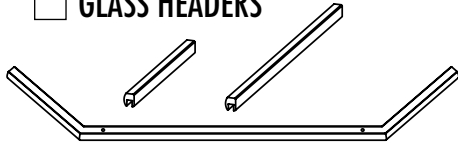
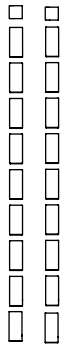
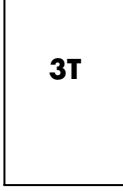
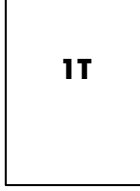

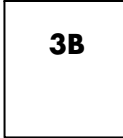
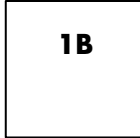
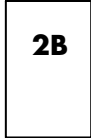
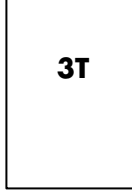
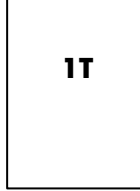
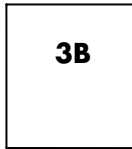
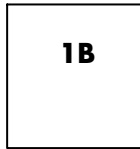
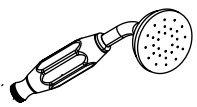
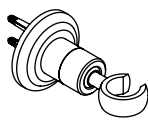
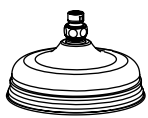

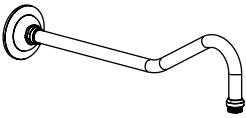


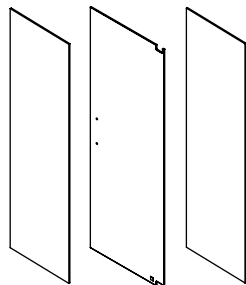


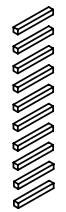


DOOR SWEEP



MISSING OR DAMAGED HARDWARE AND TILES SHOULD BE REPORTED WITHIN 24 HOURS AFTER YOU RECEIVE THIS SHIPMENT - PLEASE CALL 1-800-454-2284 FOR ASSISTANCE.

GRAND PACKAGE PACKING LIST

- PAN 
- DRAIN 
- SHOWER VALVE 
- DOOR HANDLE 
- HINGES 
- GLASS HEADERS 
(You will have either 2 or 3 pieces depending on the size of your shower)
- THRESHOLDS 
- WALLS for 60" width shower
 - 3T 
 - 1T 
 - 2T 
 - 3B 
 - 1B 
 - 2B 
- WALLS for 36"-54" width shower
 - 3T 
 - 1T 
 - 3B 
 - 1B 
- HAND SHOWER HANDLE 
- HAND SHOWER MOUNT 
- SHOWER HEAD 
- HAND SHOWER SUPPLY 
- HOOKED SHOWER ARM 
- GROUT 
- HAND SHOWER HOSE 
- GLASS PANELS & DOOR 
(Glass is tempered and cannot be cut)
- DOOR SEALS 
- DOOR SWEEP 
- SETTING BLOCKS 
(Found in small baggy)

2

TOOLS AND SUPPLIES YOU WILL NEED TO INSTALL YOUR SHOWER

- PENCIL & MARKER
- HAMMER
- DRILL WITH 3/16" & 5/8" DRILL BIT
- LEVEL
- CAULKING GUN
- PHILLIPS HEAD SCREWDRIVER or PHILLIPS DRILL BIT
- JIG SAW or ROTO-ZIP
- MEASURING TAPE
- 1/4" NOTCHED TROWEL
- SPONGE
- GROUT FLOAT & BUCKET
- 1/8" PLASTIC TILE SPACERS
- SHEET ROCK SCREWS
- WOOD SHIMS
- 1/2" CEMENT BOARDS
- 3- 4 TUBES OF 100% SILICONE BATHROOM SEALANT FOR CAULKING GUN
- 60 GRIT SANDPAPER
- CLEAN CLOTH
- PLASTIC SHEETING
- 3" SCREWS
- CIRCULAR SAW
- COPPER PIPE FITTINGS or "SHARKBITE" FITTINGS
- BRACES TO SECURE WALL PANELS
- WALL PANEL ADHESIVE (SEE CHART NEXT PAGE)

WALL PANEL ADHESIVE RECOMMENDATIONS

The wall panels of all Sistine Stone Showers have been designed and engineered to accept many different types of adhesives to bond them to the backer board. During our tests we found that some work better than others. Please refer to the chart below to see how strongly the different types of adhesives bonded with the backer board. The bond strength was rated on a scale of 1 to 10 with 10 being a perfect, unbreakable bond and 1 being no bond at all. We recommend using the best rated adhesives, either GE Silicone II or Dap Alex Plus, to ensure the strongest and most durable bond.

Warranty coverage only extends to the brands and/or types of adhesives that are in the chart below and which are properly applied per the manufacturer's directions and recommendations.

| RATING | ADHESIVE BRANDS | AVERAGE RATING |
|---------------|--|-----------------------|
| BEST | GE SILICONE II WINDOW AND DOOR/100% SILICONE | 9.3 |
| BEST | DAP ALEX PLUS | 7.0 |
| GOOD | DAP ALEX | 6.0 |

DO NOT USE ANY Mortar based Thin Sets

Recommendations for applying Silicone/Caulking Type Adhesives:

1. Apply a 1/4" thick continuous bead of adhesive along the perimeter of the wall panel 1/2" in from the edge.
2. Use a zig-zag pattern to cover the rest of the backside of the wall panels leaving 3"-4" between each 1/4" bead.
3. For a stronger bond apply adhesive to the backer board also.

It is very important to ensure complete coverage of adhesive to ensure the best bond. The application of the adhesive will differ depending on the brand or type of adhesive you use so please refer to the specific adhesive manufacturer's directions for application and dry time. The above steps are only recommendations and are meant to supplement the specific manufacturer's directions. You may be required to brace the wall panels in place while the adhesive dries. Also, refer to the specific manufacturer's recommendations for coverage of the adhesive to determine the proper amount you will need for the project based on your shower size.

3

PRE-INSTALLATION TEAR DOWN

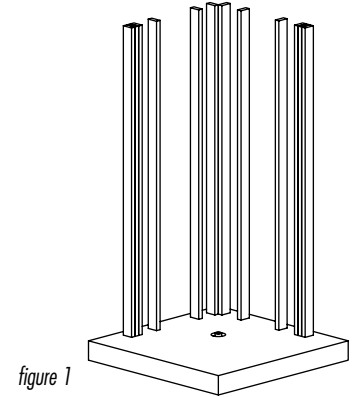


TIME REQUIRED
8-16 HRS

This shower system is designed to be installed on a bare floor with bare walls (studs only). If you are replacing an existing shower, it is necessary for you to remove your old shower.

1. Tear out and remove all old material to expose the studs (*fig. 1*).
2. Clean up the shower area, removing all dust and old material from the area.

Warning: when removing old material, be careful not to inhale the dust, it may contain harmful chemicals. Use the appropriate respirator to keep from inhaling dust and other hazardous materials.



4

PREPARING FOR INSTALLATION



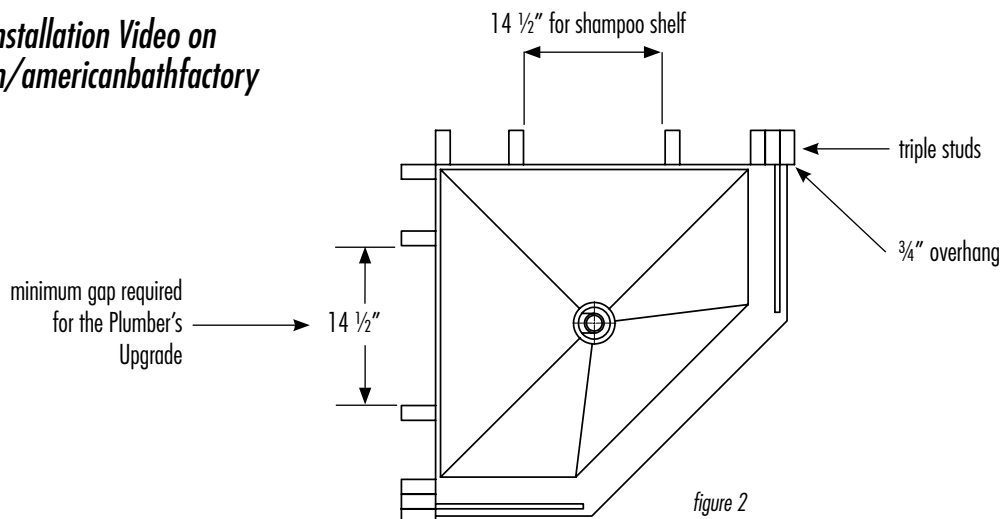
TIME REQUIRED
8-16 HRS

✓ Shower System may vary in size $\pm 1/4"$.

The shower system is designed to be installed on a floor and walls that are straight and square. Please take the time to check how square the walls and floor are. Make the appropriate adjustments to fix any problems.

1. Add studs where the shower panel and door connect. We recommend triple studs in these areas to make room for the cement board and hinge attachment. Leave a $3/4"$ overhang outside of the shower pan threshold if possible. Refer to (*fig. 2*).
2. Check the location and size of the drain, make sure it is in the correct position, relocate drain if necessary. See section (5) for drain instructions.
3. Check to make sure that when the pan is installed, you will still be able to access any plumbing that needs to be connected.
4. If you purchased the Plumber's Upgrade and/or the shampoo shelf, check that everything fits with clearance between the studs. Measure the studs to make sure they are $14\ 1/2"$ apart. See recommended stud locations (*fig. 2*). Relocate studs if necessary.

Watch our Installation Video on
[Youtube.com/americanbathfactory](https://www.youtube.com/americanbathfactory)



5

SHOWER PAN INSTALLATION



TIME REQUIRED
½ - 1 HR.

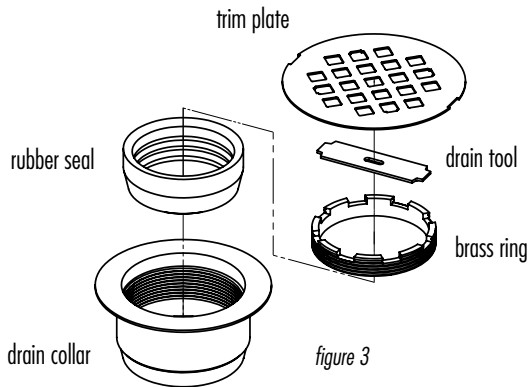
BEFORE YOU START - Make sure floor is clean and level. Check to make sure existing plumbing will be accessible after pan is installed. Check your local building codes before installation.

To ensure that no damage has occurred to your shower pan during shipping, it is important to check your pan for damage prior to installation in your home. Damage caused by shipping may result in a hairline fracture that could leak over time.

Move your shower pan to a location that will not be damaged by water run-off. A driveway or patio is suitable for testing your new shower pan.

Set the pan on blocks high enough to see the underside of the pan. Plug the drain and fill the shower pan with water. Check for leaks and proper slope of the top pan surface. If there is no damage and no leaks then the shower pan is ready to be installed.

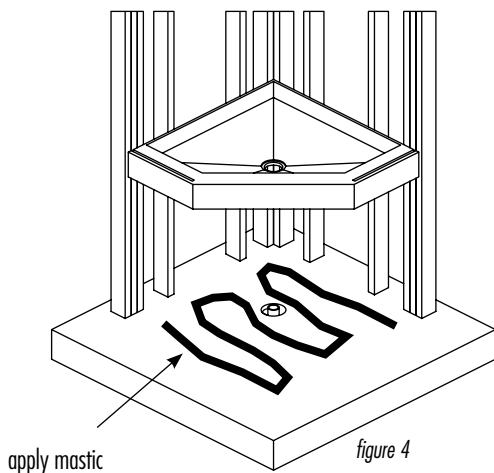
Be careful while moving the shower pan. Large bumps or dropping the shower pan can cause hairline fractures that can leak over time.



Why are Sistine Stone Shower Drains Different?

Old school drains rely on rubber gaskets, jam nuts, and plumber's putty to seal along the top and bottom of the pan. This sometimes leads to problems due to the fact that if the pans thickness around the drain flange isn't perfectly even then the rubber gasket will not seal well which leads to leaks. Plus plumber's putty doesn't stand up well to any movement so that leads to more leaks. Also, these types of drains are impossible to remove once the shower is installed since the jam nut is on the bottom making them irreplaceable. With the advent of high quality silicones, old school plumbing techniques like plumber's putty and jam nuts are not needed. That is why our drains do not have a jam nut on the bottom. Our drains rely on an internal jam nut and rubber seal to seal against the drain pipe as well as 100% Silicone to seal the drain to the pan. This leads to a dependable 100% leak free seal. Plus the drain could still be removed from the top if necessary.

1. The shower pan comes with a 2" drain assembly kit (fig. 3).
2. Measure from the wall studs to make sure your 2" ABS drain is in the correct location. Dry test by resting the shower pan over the 2" drain pipe. You may want to place 2 x 4's on the floor to help support the pan from resting on the drain.
3. Make sure the 2" ABS drain pipe is in the center of the shower pan opening and at the right height (1" above floor). Dry fit the drain collar.
4. Place wood shims, if necessary, along the 2 x 4's to square out the pan. This may cause problems installing the system if the walls are not straight and if the shower pan is not set against wall studs.
5. Remove the shower pan (and 2 x 4's) after checking and verifying the drain hole is in its correct location.



✓ Use a level to make sure the 2 x 4's for the walls are straight vertically.
Make sure that the shower pan sets flush against the 2 x 4's on each side.

6. Apply wall panel adhesive to the floor area where the shower pan is to be installed (fig. 4). **See Wall Panel Adhesive Chart.**
7. Carefully lift the shower pan and set it into place.

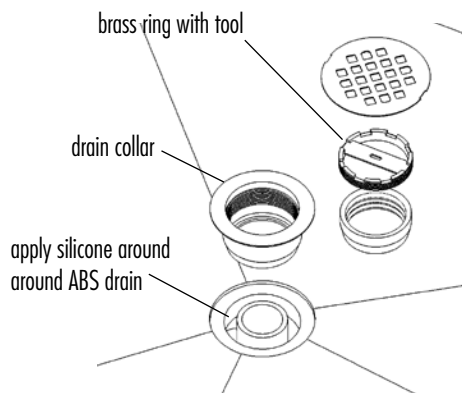


figure 5

8. Apply a generous bead of clear silicone around the shower pan drain opening and slip the drain collar into position (fig. 5). Make sure the ABS pipe is still centered.
9. Wipe off any excess silicone and allow the silicone to dry. Follow the manufacturer's directions for application and dry times.
10. Push and secure the rubber seal onto the 2" ABS pipe.
11. Thread on the brass pressure ring around the drain with the provided tool. Remove tool after brass ring is installed.
12. Test and snap the decorative diamond pattern trim plate into position. (Remove decorative trim plate and store in secure area until installation is complete, drain will be grouted when shower is grouted)
13. After installing pan, cover with cardboard to protect pan from dirt and scuffs.

6

FAUCET INSTALLATION

If you have a pre-installed shower faucet check for leaks and then skip to section 7

If you purchased the optional Plumber's Upgrade see section 7

Premium and Grand Packages come standard with a shower faucet kit that includes the following pieces: Pressure Balance Valve, Hooked Shower Arm, Hand Shower Supply, Hand Shower Hose, and Hand Shower Handle.



Standard faucet kits do not include a shut off for the shower head. You can order an optional shutoff valve P21-4015P-XX that will allow you to shut off the shower head independently from the hand shower.

1. Most customers who order faucet kits without ordering the Plumber's Upgrade do so in order to have flexibility in their faucet mounting locations. Refer to (fig. 7) for a recommended configuration showing approximate dimensions.
2. Please refer to the installation instructions included with your faucet. Also check your local codes for additional assistance with installation guidelines.
3. Finish wall surface is approximately 1" out from the stud. Make sure outer surface of the blue mud plate is approximately 1" from the stud. This will ensure the trim pieces on the faucet will fit properly (fig. 6).

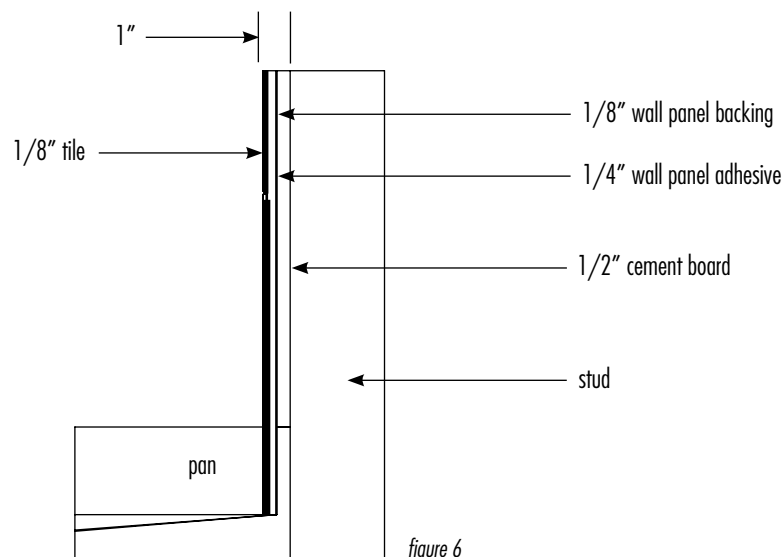


figure 6

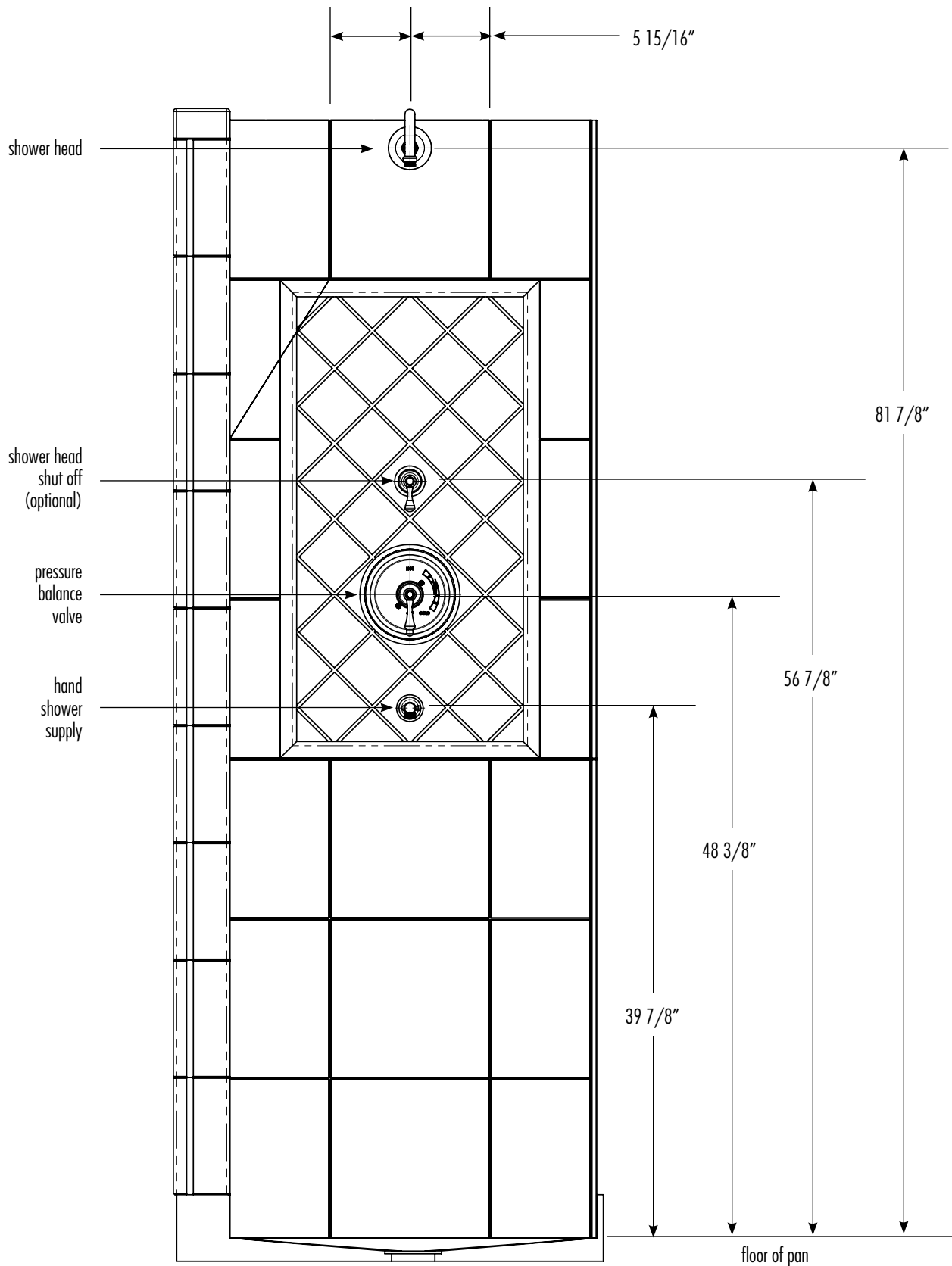


figure 7

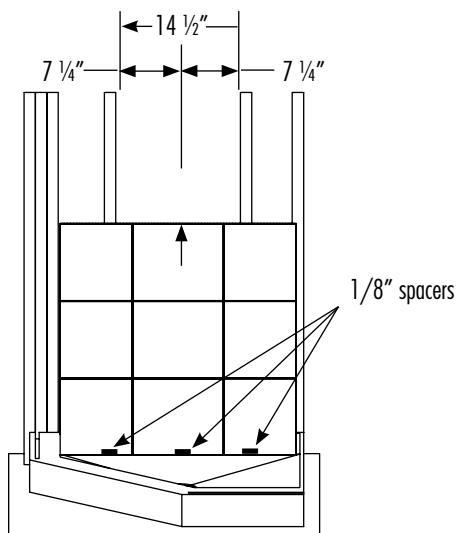
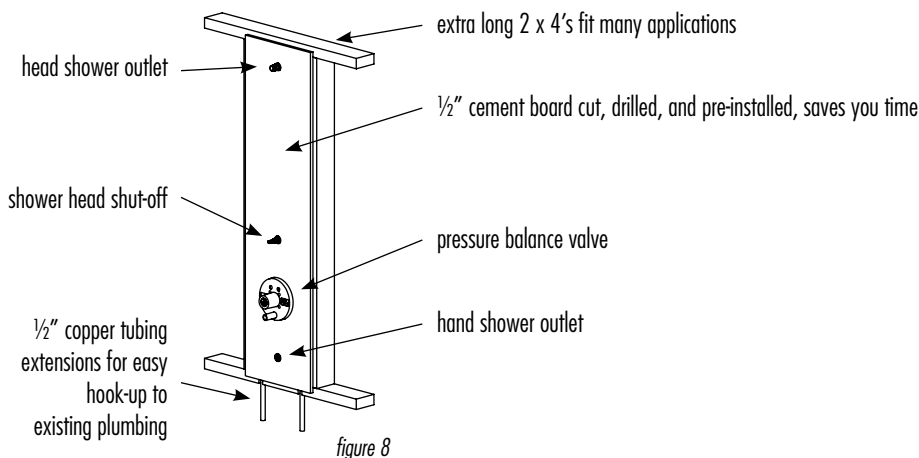
7

PLUMBER'S UPGRADE (optional - disregard if not purchased)



TIME REQUIRED
1/2 - 1 HR.

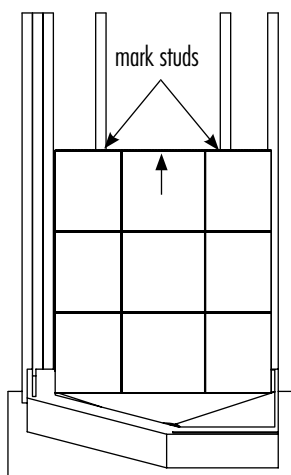
Congratulations on purchasing the optional Plumber's Upgrade. This upgrade was specifically designed to simplify the faucet plumbing installation, saving you time and headaches. Refer to (fig. 8) to see key features.



A - Locating the Faucet Wall Panel 3B

1. To begin installing the Plumber's Upgrade you must first locate the bottom wall panel in order to get proper center and height positioning.
2. Go to section (10A) and follow the directions for inspecting the wall panels, steps 1-3.
3. Place the faucet wall panel 3B into position. Slide the panel all the way towards the shower pan threshold (fig. 9). Use 1/8" spacers between the pan and the bottom of the wall panel. Check for proper fit and alignment.

✓ The manufacturer is not responsible for improper measurements or cuts made by the customer.



B - Determine Horizontal Position of the Plumber's Upgrade

1. From the center of the middle tile, check again to make sure there is a minimum of 14 1/2" between the studs where the Plumber's Upgrade will be placed (fig. 9).
2. Mark the wall studs across the top of the bottom wall panel (fig. 10).
3. Center the Plumber's Upgrade above the bottom wall panel.

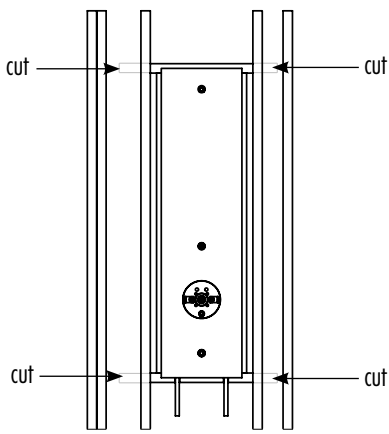


figure 11

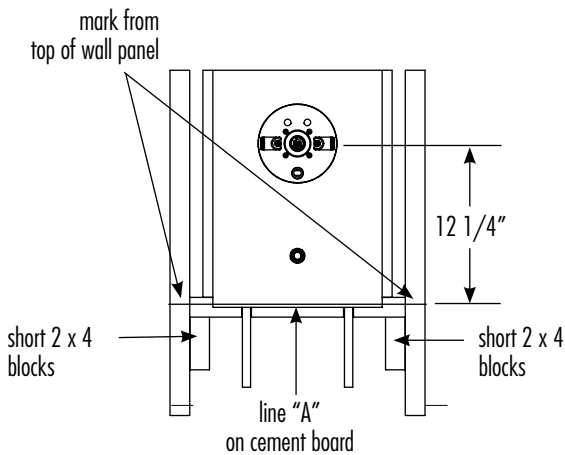


figure 12

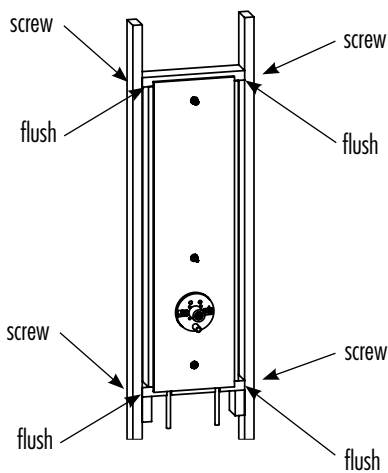


figure 13

4. Make cut location marks on the horizontal 2 x 4's of the Plumber's Upgrade. The marks should line up with the inside edge of the existing 2 x 4 wall studs (fig. 11).
5. Before cutting horizontal 2 x 4's on Plumber's Upgrade, make sure Plumber's Upgrade is centered above wall panel 3B. Take down and cut horizontal 2 x 4's. Keep small cut off 2 x 4 blocks to help with installation in step 6.

✓ **Double check alignment of the Plumber's Upgrade and also make sure the Plumber's Upgrade is level before making final cuts.**

6. The center of the valve should be 12 1/4" above the top edge of the bottom wall panel 3B when installed. From the horizontal center of the valve, measure 12 1/4" down and draw a horizontal line across the cement board, line "A" (fig. 12).
7. Place Plumber's Upgrade between 2 x 4 wall studs. Line up the line on the cement board with the lines you drew on the wall studs in step 2.
8. Mark on 2 x 4 wall studs the bottom of the Plumber's Upgrade (fig. 12) and remove the Plumber's Upgrade.
9. Line up the small 2 x 4 blocks from step 6 underneath the line you just marked. Screw them into the studs. The Plumber's Upgrade will rest on them (fig. 12).
10. Place the Plumber's Upgrade into position. Use a level to make sure the lines on the studs and the line on the cement board are still aligned. The 2 x 4's on the Plumber's Upgrade should be flush with the existing wall studs (fig. 13).
11. Dry fit both faucet panels 3B and 3T. Check for proper fit and alignment.
12. Remove the panels and screw the Plumber's Upgrade to the studs at the top and bottom (fig. 13).
13. Dry fit the panels 3B and 3T again. Check for proper fit and alignment. Remember to use 1/8" spacers between the pan and the bottom panel.

✓ **IMPORTANT: hook up water supply and check for leaks before installing cement board or wall panels.**

C - Connecting Water Supply

1. You may solder your connections or use "Sharkbite" connectors. Check your local codes.
2. The hand shower outlet should already be plugged.
3. Connect the hand shower hose to the shower head outlet. Have an empty bucket ready to catch the water coming from the hose.
4. Remove the blue cover from the valve.
5. Place the levers on the main valve and the shutoff valve. Turn both to the OFF position.
6. Have someone hold the shower hose over the bucket while you slowly turn the water supply on and check for leaks.
7. Adjust the water flow and check for proper hot and cold operation and any leaks.
8. Once all is working properly, turn the water off and drain the system.
9. Uncap the hand shower outlet and remove the hose. Be careful because water may still be in lines.
10. Remove the valve handles.

8

SHAMPOO SHELF CUSTOM PLACEMENT (optional - disregard if not purchased)



TIME REQUIRED
½ -1 HR.

check for proper stud locations

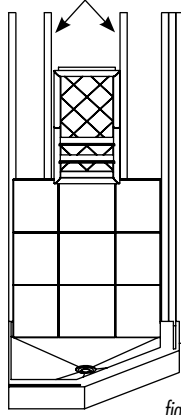


figure 14

1. We have not cut the hole in the wall panel for the shampoo shelf so you can custom place the shampoo shelf where you desire. The shampoo shelf was designed to be installed in the place of 2 vertical tiles.
2. Select your desired location for the shampoo shelf by looking at the panels in section 10.
3. Place the bottom panel that the shampoo shelf will go above into position.
4. Check that the studs are in the proper location and will not interfere with the shampoo shelf (fig. 14). These studs should have a minimum gap of 14 1/2".
5. Add a horizontal 2"x 4" brace 1/2" - 1" below the shampoo shelf's desired height. This will give you a platform to support the shampoo shelf. After the walls have been installed place shims between the 2"x 4" and the bottom of the shampoo shelf in order to add support to the shampoo shelf.

9

CEMENT BOARD INSTALLATION



TIME REQUIRED
1-2 HRS

We recommend the use of ½" thick cement board as your shower backer. This is a common backer for stone and tile. Using this backer will help comply with almost all city codes. A cement-based product like Wonderboard or Hardibacker may also be used if it meets your local codes. Some codes require a vapor barrier to be installed as well.

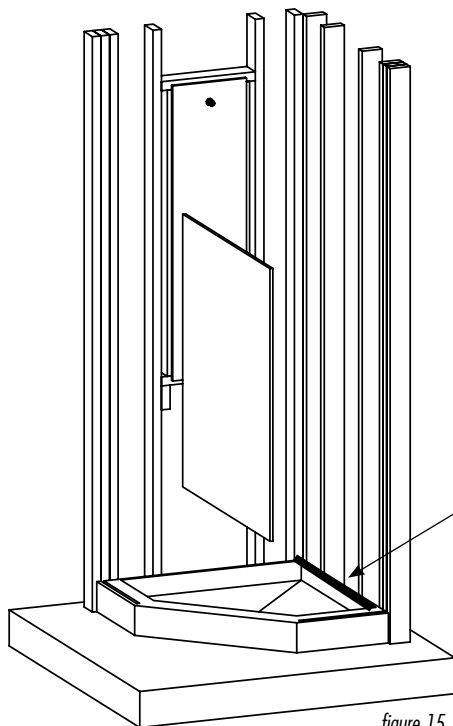


figure 15

If the backer board you are using has a built in water barrier, or you are planning on adding a water barrier to your backer board, you cannot use Omni-Grip mastic as your adhesive. Please refer to the Wall Panel Adhesive Recommendations for further details.

✓ Check that the shower pan sets flush against the wall studs on each side. Place wood shims, if necessary, along the length of the 2 x 4's to square out the shower pan.

Set cement board on top of pan here.

1. Place the cement board on the wall and rest it on the top of the shower pan; top back edge. Attach the cement board to the studs with screws (fig. 15).

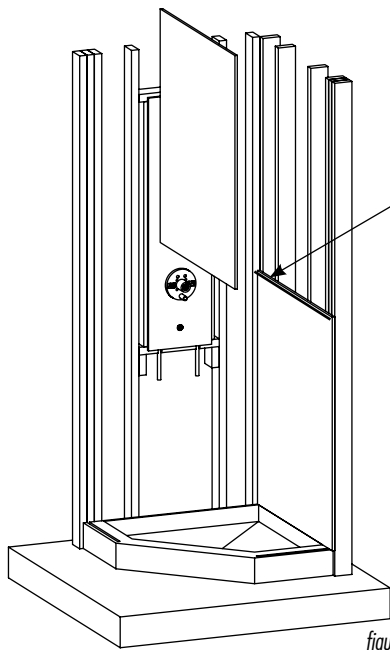


figure 16

Set next cement board on top of first cement board.

2. Install the next cement board above the first one placed (*fig. 16*).
3. Repeat steps 1-2 until cement board covers all surfaces. Extend the cement board to at least the outside edge of the pan. If it would make installation easier you can extend the cement board further outside of the pan (*fig. 17*).
4. Check all walls with level and straight edge to make sure they are square and straight

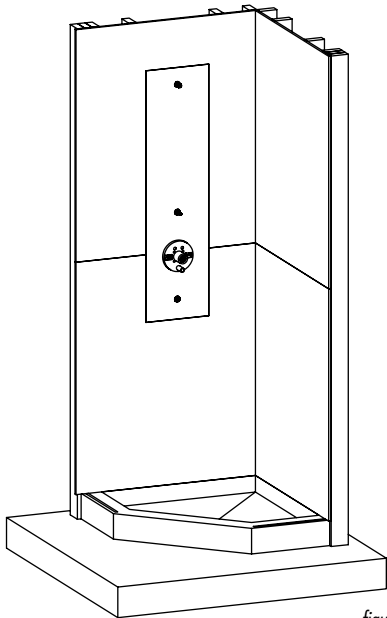


figure 17

5. Use a level to draw a straight vertical line all the way up from the inside edge of the pan on both sides (*fig. 18*). This line will be used as a guide for the placement of the wall panels and thresholds.

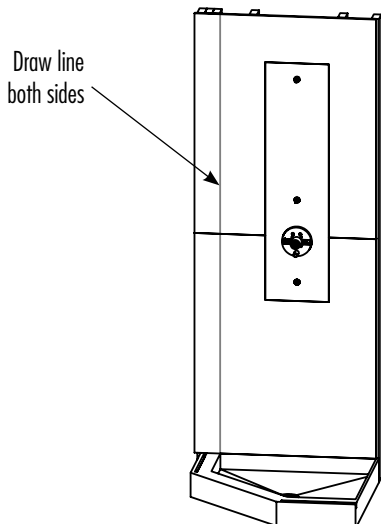


figure 18

Draw line both sides

6. Apply silicone to the gaps between the cement boards. This will create a water tight seal between the cement boards. Apply silicone to the corners of the showers as well. Also, seal the gaps between the bottom of the cement boards and the shower pan. Use your finger to smooth out the silicone. Follow the manufacturer's directions for application and dry time.

10

WALL PANEL INSTALLATION



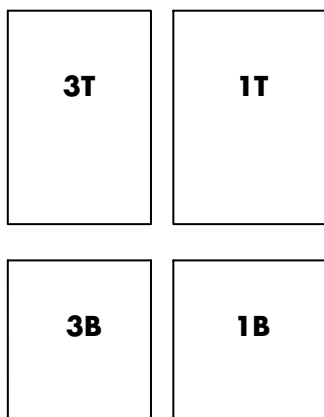
TIME REQUIRED
1-2 HRS

A - Inspecting Wall Panels

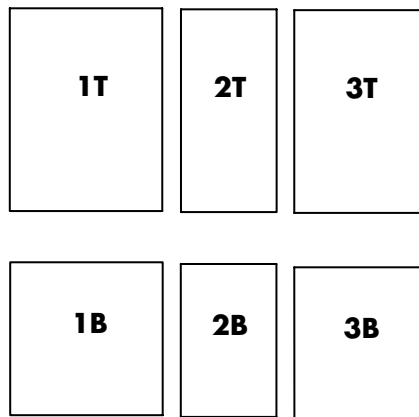
Inspecting panels at this point will give you confidence that the wall panels are straight and square from the factory. When installing wall panels, you may need to make adjustments to the panels to accommodate for unevenness of your existing walls.

1. Begin by determining whether you have a 4 or 6 panel wall set. (Set A) and (Set B) are for 36" to 54", 4 panel sets. (Set C) and (Set D) are for 60", 6 panel sets. *The panels are labeled for your convenience.*
 (Set A) is left faucet and (Set B) is right faucet.
 (Set C) is left faucet and (Set D) is right faucet.
2. Find a large area to layout and inspect all panels.
3. Align all panels to check for straightness. Make sure grout lines are straight and square to each other.
4. Check to make sure the panels are flat and have not become warped due to improper storage. If the panels have become warped you will need to flatten them. *(See Trouble shooting section on last page for details).*

Set A - left faucet

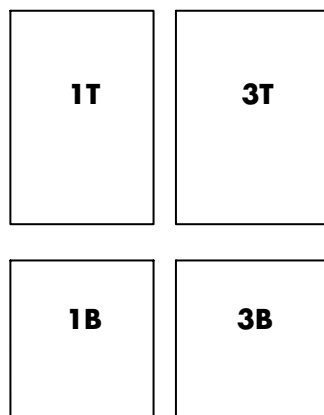


Set C - right faucet

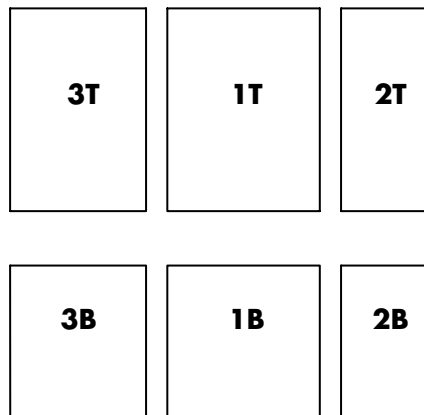


Note: 1B/1T panels always go on the left side of the back wall. 2B/2T panels always go on the right side of the back wall

Set B - right faucet



Set D - left faucet



Note: 1B/1T panels always go on the left side of the back wall. 2B/2T panels always go on the right side of the back wall

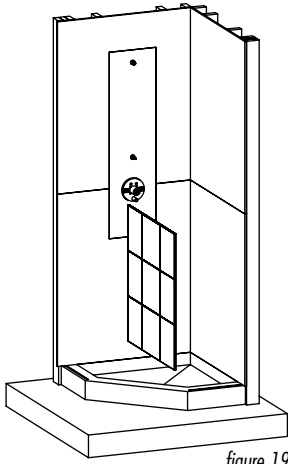


figure 19

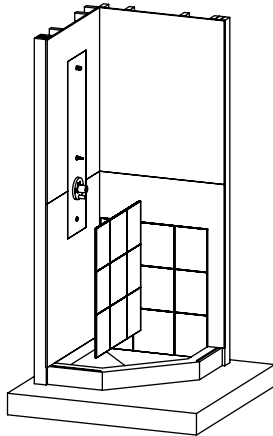


figure 20

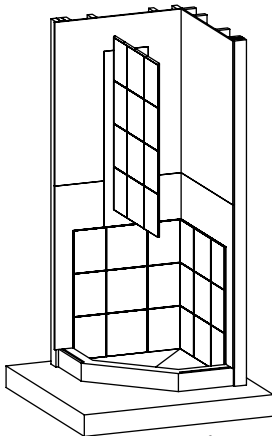


figure 21

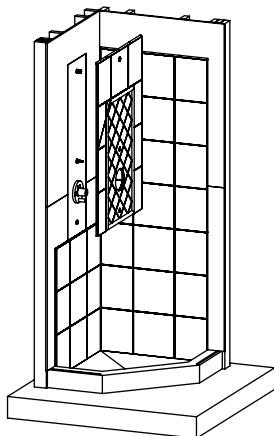


figure 22

B - Dry Fitting Panels

1. Dry fit the shower wall panel 1B into position. Use 1/8" spacers between the shower pan and the bottom of the panel (Fig. 19). Center the back wall panels so the gaps on both sides are equal. The thickness of the side panels will cover these small gaps.

✓ Do not bend wall panels, over bending can cause tiles to pop off.

2. Carefully place wall panel 3B into place, making sure the grout lines are aligned. Use a 1/8" spacer between the shower pan and the bottom of the panel. Push the side panels up against the shower pan threshold, any remaining gap between the side and back panels will be filled with grout after the shower has been installed. Match the space between the panels with the rest of the grout lines on the panel, use spacers if necessary.
3. Remember to use the line drawn in (fig. 18). Finish all bottom panels.
4. Inspect the bottom panels making sure they are square and straight. Due to variations in your existing walls, you may need to sand the edges of the panels slightly for proper fit.
5. Continue to install the top panels starting with panel 1T (fig. 21). Place the top panel above the bottom panel and match the space between the panels with the rest of the grout lines on the panel, use spacers if necessary.
6. You must drill the holes in the faucet panel 3T for your plumbing fixtures. Take careful measurements to determine the proper locations. Make a template if necessary.
7. On panel 3T, mark the locations for the holes. Double check your measurements.
8. Drill small pilot holes first so you can check whether or not the holes are in the right locations.
9. If the pilot holes are in the proper locations, carefully drill bigger holes that will fit your plumbing fixtures.
10. After drilling holes, dry fit the panel.

✓ Do not place screws between tiles or through shower pan. Braces may be required to add pressure to some areas to ensure the walls are flush.

11. Inspect, making sure all top panels are square and straight. Also make sure faucet holes are positioned properly (fig. 22).

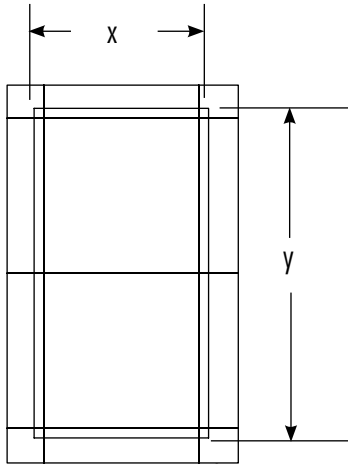


figure 23

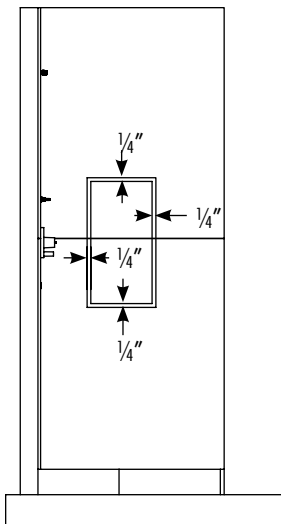


figure 24

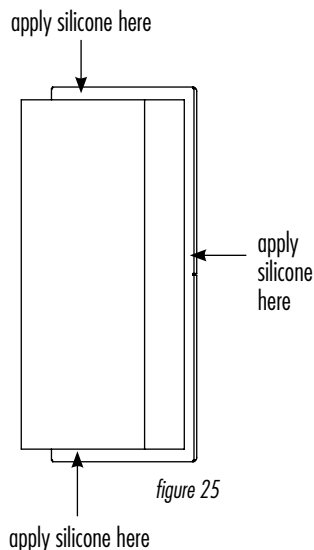


figure 25

C - Cutting Hole For Shampoo Shelf (if purchased)

1. With the panels still dry fitted mark the two tiles that the shampoo shelf will replace.
2. Remove that panel and measure the backside of the shampoo shelf. Measure and mark the rectangle that will need to be cut out using a straight edge (fig. 23).
3. Drill 5/8" holes in the corners of the rectangle. Be sure not to drill outside the lines of the rectangle.
4. Insert the jigsaw blade in the holes and cut out the rectangle. Use masking tape to protect the surface of the tiles. Use a wood-cutting blade.
5. Place the shampoo shelf in the hole. Make any adjustments to the cut so the shelf fits straight and square.
6. Dry fit the panel again into its position and mark the outline of the cut out on the cement board. Remove all the panels from the shower.
7. Cut the rectangle out of the cement boards. Cut it 1/4" bigger than your mark to allow for adjustment during installation (fig. 24).

D - Installing Panels

1. Sand the backside surface of the wall panels with 60 grit sand paper. This will increase the bond with the adhesive. Remove all dust and dirt with a clean dry cloth.
2. Start with panel 1B. Adhesive will be used to bond the wall panels to the cement board and 100% silicone will be used to bond the wall panels to the shower pan. Follow the manufacturer's directions for application and drying time. Apply a generous amount of adhesive to the cement board itself and to the section of the wall panel that will be in contact with the cement board. Apply silicone in a zig-zag pattern to the lower area of the wall panel that will contact the shower pan. Refer to the wall panel Adhesive Recommendations Chart.

Use adhesive only to bond the wall panels to the cement board and 100% Silicone to bond the wall panels to the shower pan. 100% Silicone will cure completely between the shower pan and wall panel unlike other types of adhesives that must allow water to evaporate in order to cure. This is why we recommend it for these areas. Braces may be required to add pressure to some areas to ensure the walls are flush.

3. Press the wall firmly into position. Be sure to use 1/8" spacers between the bottom panels and the shower pan.
4. Complete steps 1-3 with the remaining panels in the following order: 2B, 3B, 1T, 2T, 3T. Match the space between the panels with the rest of the grout lines on the panel. Use spacers if necessary. Make sure the walls are square and straight.

E - Shampoo Shelf (if purchased)

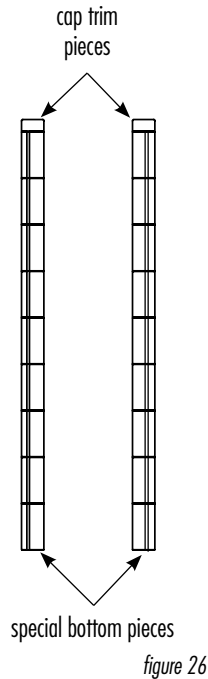
1. Dry fit the shampoo shelf in position and check alignment. Make any adjustments to the cut if necessary. Place shims between the 2" x 4" brace and bottom of the shampoo shelf to provide added support.
2. Apply a continuous bead of silicone on the back edge of the shampoo shelf (fig. 25).
3. Set the shampoo shelf into position and apply pressure to ensure adhesion.
4. Wipe off any excess silicone with a clean cloth.

11

THRESHOLD TRIM & OPTIONAL BULLNOSE EDGE KIT



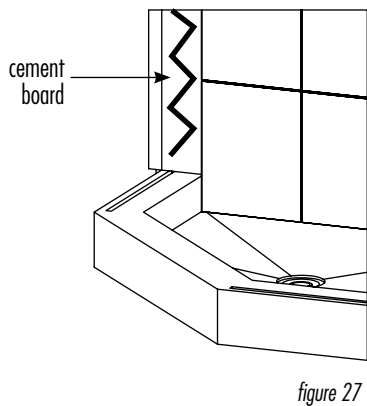
TIME REQUIRED
½ - 1 HR.



The threshold trim pieces complete the look of your new shower system. If you purchased a Basic or Premium package which do not come with glass, your threshold pieces will be solid with out a channel. If you purchased a Supreme or Grand package which do come with glass, the threshold pieces will have a channel for the glass panels (*fig. 26*). No matter what package you ordered there are 2 special cap trim pieces and 2 special bottom pieces.

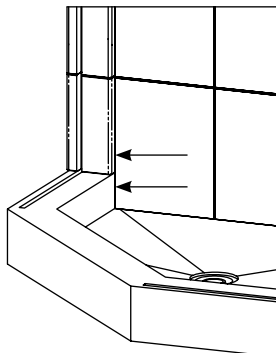
1. Locate all the trim pieces and align them on the floor (*fig. 26*).
2. Apply silicone, using a zigzag pattern, to the wall along the panel's edge approximately four inches out: to the far outside of the shower pan (*fig. 27*).

✓ Refer to manufacturer's recommendations for silicone drying time.



3. Starting with the special bottom threshold piece, place the threshold into position making sure to align the threshold with the vertical line previously drawn on the cement board. Apply pressure to the trim piece to bond it to the cement board. The trim piece should be flush with the inside of the shower pan threshold (*fig. 28*). Make sure to align the channels in the thresholds with the channel in the shower pan.

✓ The wall thresholds are designed to be 1/4" wider than the shower pan threshold. The wall thresholds should be flush on the inside of the pan and be 1/4" past the outside of the pan.



4. Place the remaining trim pieces into position. Make sure to use a level and the line previously drawn on the cement board to align the trim pieces vertically.
5. Do not install the small cap trim pieces if your package includes glass. These are to be installed after the glass and door have been installed. If you did not purchase a package with glass, you can install them now.

OPTIONAL BULLNOSE EDGE KIT INSTALLATION

If you like you can purchase the optional Bullnose Edge Kit by calling the number listed on page 2. The kit includes bullnose edge pieces that are 8" long and are designed to accent the lines of your shower by off setting the tile lines. Each kit includes enough pieces to go around your entire shower unit so you can start and end anywhere you desire. Refer to the table below to see which kit is right for your shower. You must add the stone color to the end of the kit number. LT = Light, NT = Natural, MD = Medium. **Example Kit Number: 34x54 Single threshold, Medium Stone = 32327-MD**

Single Threshold

| Size | P/N 32325 (12 Piece) | P/N 32326 (14 Piece) | P/N 32327 (16 Piece) | P/N 32328 (18 Piece) | P/N 32329 (22 Piece) |
|-------|----------------------|----------------------|----------------------|----------------------|----------------------|
| 30x60 | | | | X | |
| 32x36 | | X | | | |
| 32x48 | | | X | | |
| 32x54 | | | X | | |
| 32x60 | | | | X | |
| 34x48 | | | X | | |
| 34x54 | | | X | | |
| 34x60 | | | | X | |
| 36x36 | | X | | | |
| 36x48 | | | X | | |
| 36x54 | | | X | | |
| 36x60 | | | | X | |
| 42x42 | | | | X | |
| 42x48 | | | | X | |
| 42x54 | | | | X | |
| 48x48 | | | | | X |
| 48x60 | | | | | X |
| 54x54 | | | | | X |

Neo/Double Threshold

| | | | | | |
|-------|---|---|---|--|--|
| 30x60 | | X | | | |
| 32x36 | X | | | | |
| 32x48 | X | | | | |
| 32x54 | X | | | | |
| 32x60 | | X | | | |
| 34x48 | X | | | | |
| 34x54 | X | | | | |
| 34x60 | | X | | | |
| 36x36 | X | | | | |
| 36x48 | X | | | | |
| 36x54 | X | | | | |
| 36x60 | | X | | | |
| 42x42 | X | | | | |
| 42x48 | X | | | | |
| 42x54 | | X | | | |
| 48x48 | | X | | | |
| 48x60 | | | X | | |
| 54x54 | | | X | | |

NOTE: Be sure to specify stone color. (LT, NT, or MD)

1. If your package comes with glass and you have not installed the threshold trim cap, dry fit the threshold trim cap in place. Dry fit as many bullnose pieces as you can until you have obtained the look you want.
2. If you have to cut a piece, measure carefully and clamp the piece down on a solid work surface.
3. Apply silicone to the top edge of the wall panels as well as the back surface of the bull nose piece and place into position. Wipe off any excess silicone with a cloth.
4. Continue until all the pieces have been installed.

12

GLASS DOOR & PANEL INSTALLATION



TIME REQUIRED
1-2 HRS

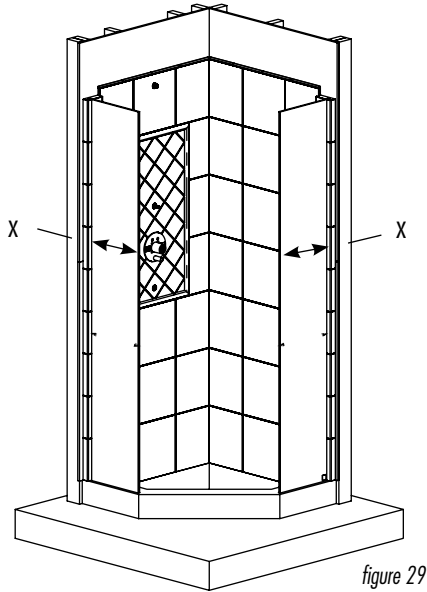


figure 29

Note: Two people are required for this installation. Take careful measurements before cutting or drilling products.

✓ Make sure the small wall threshold caps are not installed until after the glass panels have been installed

A - Glass Panel Installation

1. Carefully lift the glass panels and set them into position. Make sure the glass panels are stable (fig. 29).

✓ Glass is tempered and cannot be cut.

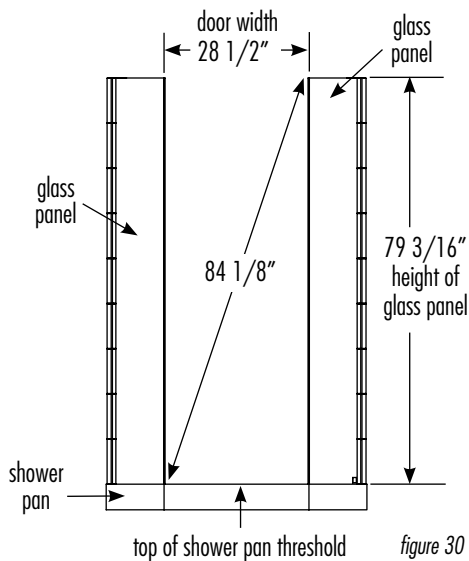


figure 30

note: measurement taken from outside edges of glass

2. The top of the glass panels should be $79 \frac{3}{16}$ " from the top of the pan threshold. The distance between the glass panels should be $28 \frac{1}{2}$ " from the outside edges of the glass and 28" from the inside edge of the glass (fig. 30 & fig. 31). Also, each panel should be the same distance from each wall threshold (fig. 29). Take all measurements from the outside edges of the glass.

The glass channels in the shower pan and wall thresholds will hold the glass in place while dry-fitting the panels and door.

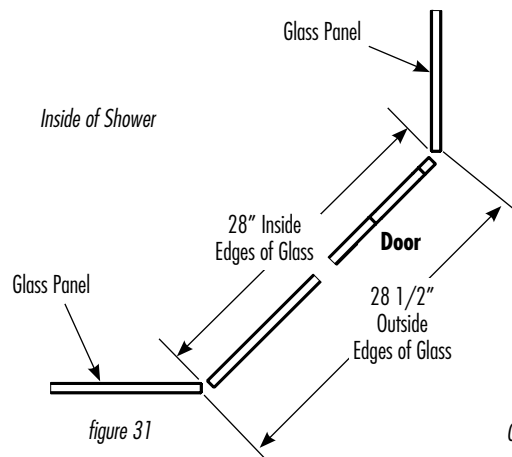


figure 31

Outside of Shower

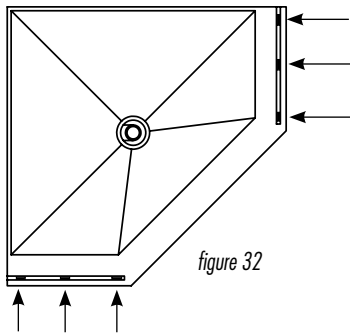


figure 32

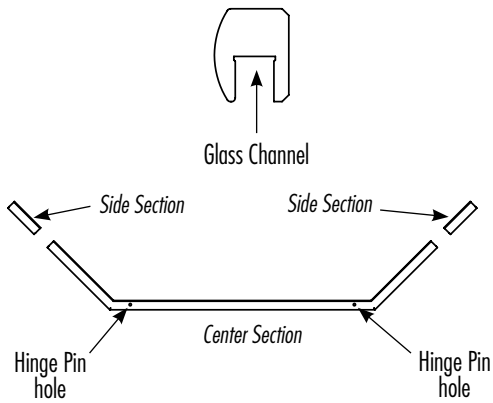


figure 33

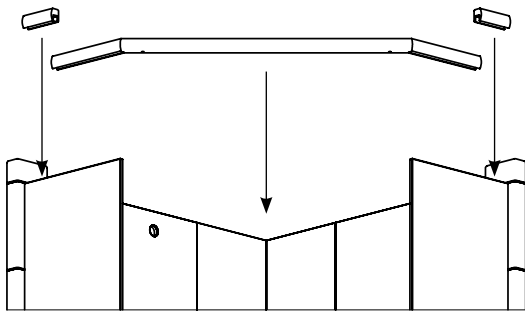


figure 34

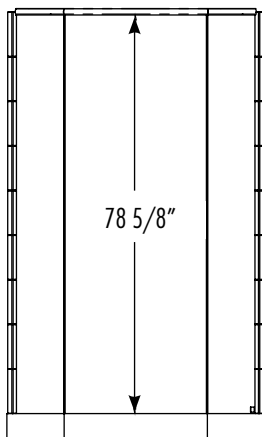


figure 35

3. You may need to use the setting blocks provided to achieve the correct positioning. The setting blocks are small, clear, plastic blocks that are in a small baggy. There are thick and thin setting blocks. Place the setting blocks into the glass channel groove, starting on the outer edges then evenly spacing them out inside the channel as shown (fig. 32).
4. Measure the positioning of the glass panels to ensure they are in the correct position. Make sure the glass is level across the top and also the vertical edges are square and straight to each other. Measure diagonally to check for straightness. Make any necessary adjustments (fig. 30).
5. Locate the header pieces and lay them out in the correct orientation on the floor. Depending on the size of the shower there will be either 2 or 3 pieces. If your shower is not a square than one piece will be longer than the other. Place the long piece on the longer side and the short piece on the short side. The glass channels should be facing down (fig. 33).
6. Set the header center section onto the glass panels (fig. 34). Measure from the top of the shower pan threshold to the bottom of the header assembly. It should be $78 \frac{5}{8}$ ". Make any necessary adjustments to the glass panels (fig. 35).
7. Measure again (as in step 4) to make sure the glass panels are still positioned correctly (fig. 30). Adjust the panels if necessary.
8. Dry fit the header side pieces and make sure the ends meet with the wall thresholds and the glass panels fit in the channels correctly (fig. 34). Depending on how square your walls are, you may need to sand the edges of the side pieces to make them fit properly.

After installation is complete you will grout the joint between the side pieces and the center section. Leave a small gap between the center and side pieces to make a grout joint that matches your preference.

9. After everything is lined up correctly remove the header pieces.
10. The glass panels and header pieces are secured using 100% silicone. Remove the glass panels so you can access the glass channels. Be sure to do one side at a time so you keep the panels in the same positions they were in while dry fitting.
11. Apply a $\frac{1}{4}$ " thick bead of 100% silicone into the bottom of the glass channels in the pan and in the wall thresholds.
12. Re-install the glass panel in the same way you did before. Do this for the other glass panel as well.
13. Refer back to all of the previous steps and figures to make sure the glass panels are in the proper position. The top of the glass panels should be $79 \frac{3}{16}$ " from the top of the pan threshold. The distance between the glass panels should be $28 \frac{1}{2}$ " from the outside edges of the glass and 28" from the inside edges of the glass. Wipe away any excess silicone immediately with a clean cloth..

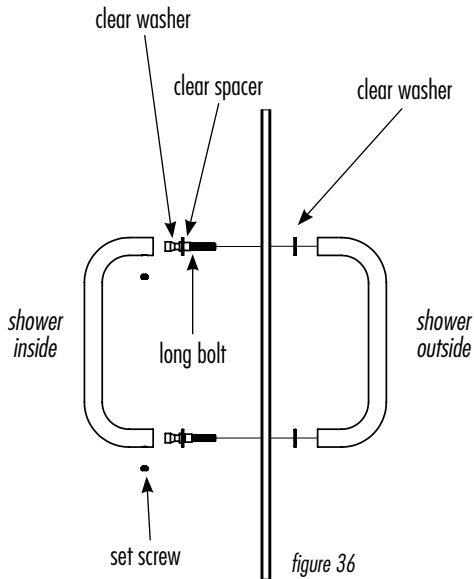


figure 36

14. Dry fit the header center section and side pieces as in step 6 again and make sure it sits at the proper height as before. Measure from the top of the shower pan threshold to the bottom of the header assembly. It should be 78 5/8". Make any necessary adjustments to the glass panels. Leave the header in place while the silicone dries.
15. Measure again (as in step 4) to make sure the glass panels are still positioned correctly (fig. 30). Adjust the panels if necessary.
16. Allow the glass panels to dry for 1 hour. Be careful not to disturb the panels while the silicone is drying. Check the measurements a couple of times to make sure the panels are remaining in the correct position.

C - Handle Installation

1. Set the glass door in a position to enable the assembly of the handle (fig. 36).

✓ Be careful not to rest the edges of the door on hard surfaces. Tempered glass is very strong and impact resistant but its weakest point is impact on the edges.

2. Loosen the set screws so you can separate the handles.
3. Unscrew the long bolt from the handle. Keep all rubber pieces on the screw.
4. Remove the first set of flat clear washers from the bolt.
5. Start with the top hole on the glass door. Place the long bolt through the hole in the door (keeping the remaining rubber pieces on the bolt). On the other side of the glass place the flat washers onto the threaded portion of the bolt (fig. 36).
6. Take one side of the handle and screw the long bolt into the end. Just start the bolt until a few threads catch. Keep loose (fig. 36).
7. Put the second bolt through the lower hole. Place the flat washer onto the bolt. Screw the bolt into the bottom handle (fig. 36).
8. Align the handle on the door and carefully tighten the long bolts. Do not over tighten.
9. Place the opposite handle over the long bolts and tighten the set screws to secure the handle.

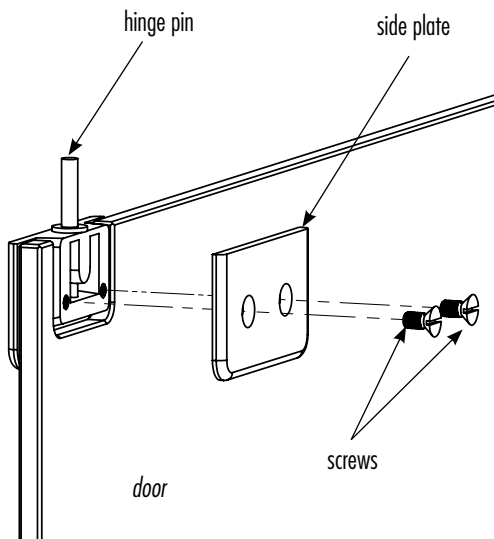


figure 37

D - Hinge Installation

1. Locate the top hinge and remove the side plate by loosening the two screws (fig. 37).
2. Place the hinge into the top cutout on the door so the screws will be facing into the shower and install the side plate. Tighten the screws until the hinge is secure. Make sure the hinge is centered in the cutout and that the screws are facing into the shower (fig. 37).
3. Repeat these steps for the bottom hinge. Make sure to place the spacer onto the bottom hinge pin. This allows the door to sit at the proper level for the door sweep seal.

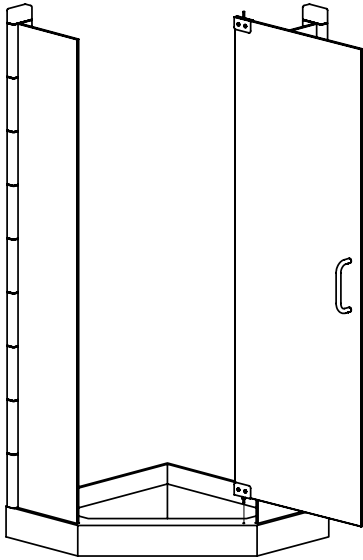


figure 38

E – Final Assembly

The door can pivot with the hinges on the left or right side depending on your personal preference. We will illustrate an installation with the hinges on the right side.

1. After the silicone on the glass panels has dried for 1 hour carefully remove the header center section and apply a 1/4" thick bead of silicone to the top of glass channels of the header center section.
2. Have one person place the door in its open position by allowing the bottom hinge pin to slide into the hole in the pan threshold. Make sure the bottom hinge has the spacer on the pin, so it will be at the proper height for the door sweep (fig. 38-39).

Be sure to keep the door in a vertical position. If the door is not kept vertical, damage to the hinge, glass, or pan may occur.

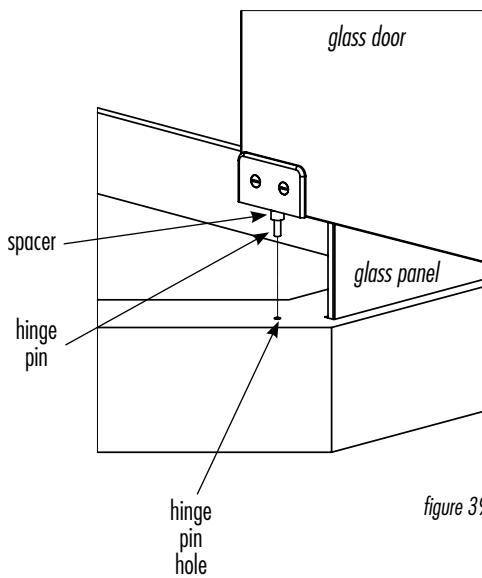


figure 39

3. Next, have the other person place the header center section into position. Align the hole in the header center section with the hinge pin and align the glass channels with the glass panels (fig. 40).
4. Push the header center section all the way down onto the glass panels and then position the door in its closed position. Wipe away any excess silicone immediately with a clean cloth.

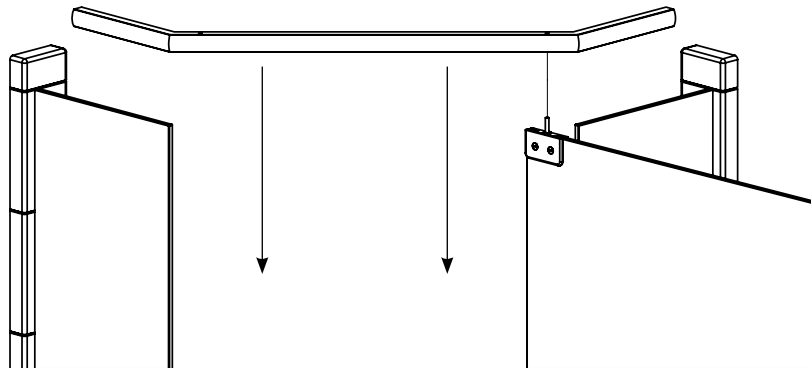
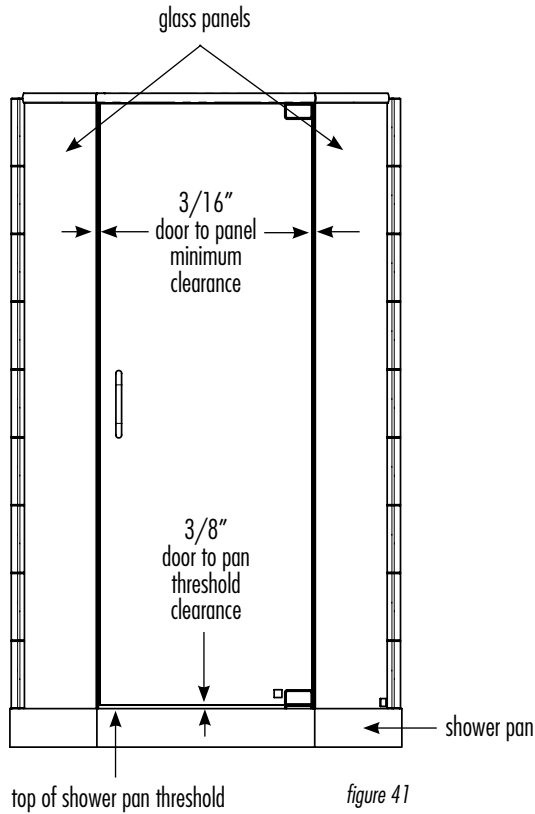


figure 40

12

GLASS DOOR & PANEL INSTALLATION (continued)



5. Check for clearance between the door and glass panels and top and bottom of the door (*fig. 41*). There should be a minimum of $3/16$ " between the door and panels (*fig. 42*). If you need to you can push the panels into the wall thresholds to increase your gap.
6. Locate and install the clear door sweep seal and attach it to the bottom of the glass door. The reflective shield should face into the shower (*fig. 43*).

Leave the door in the closed position until the silicone on the header is completely dry.

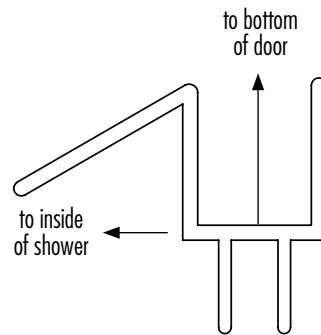
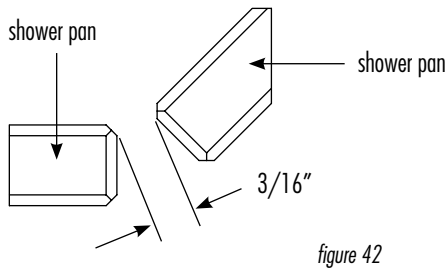


figure 43

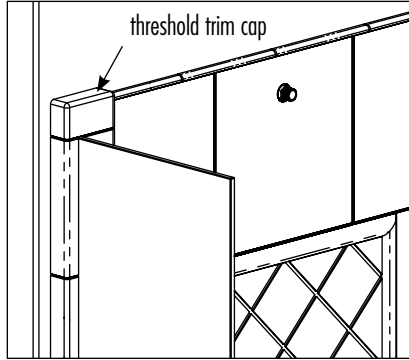


figure 44

7. Locate the wall threshold trim caps and install them using the same procedure for installing the wall threshold trim pieces (fig. 44).
8. Locate the header side pieces and apply a 1/4" bead of 100% silicone to the top of the glass channels. Place them into position and push them all the way down onto the glass panels. Be sure to align them to the header center section (fig. 45). Wipe away any excess silicone immediately with a clean cloth.
9. Allow the silicone to dry before continuing with the installation. Make sure the glass remains in the proper position. Leave the door in the closed position and use braces to support the glass until the silicone dries. Refer to the manufacturer's instructions for silicone drying time.
10. When you grout the rest of the shower be sure to grout the extra hinge hole in the pan and the extra hinge hole in the stone header. Also grout between the glass and the pan, the glass and the wall thresholds, and the glass and the stone header. As well as between the joints between the stone header center section and side pieces

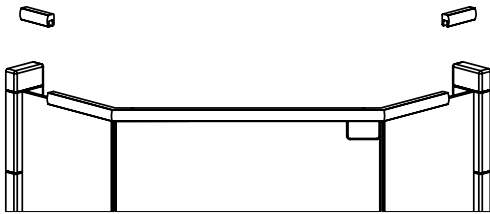


figure 45

Important: We have provided door seals for water sensitive areas such as wood floors. We recommend NOT using these.

If glass panels and door are installed correctly with the proper spacing, outside water spillage will be minimal and the seals will not be necessary. If you would like to use these seals follow the following steps.

11. Locate the plastic H shaped seals. One goes on the glass panel on the door strike side, and one goes on the door on the hinge side (fig. 46). Measure and cut the seals to length.
12. Starting from the top, push the seal onto the glass, slowly working your way down.

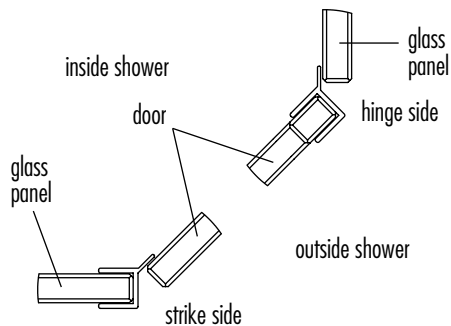


figure 46

13

GROUTING



TIME REQUIRED

1-2 HRS

CAUTION: Grout contains petroleum Distillates. If ingested, do not induce vomiting. Call a physician immediately. Use with adequate ventilation. Non-flammable. KEEP OUT OF REACH OF CHILDREN. DO NOT TAKE INTERNALLY. AVOID EYE CONTACT. STORE AWAY FROM EXTREME HEAT OR COLD.

The wall panels and shower pan are pre-grouted for your convenience in order to save you time. The grout that was included with the shower system is for any spaces that exist after installation has been completed. Below is a diagram of spaces that should be grouted.

1. Follow the directions on the tube for specific application instructions.
2. We recommend cutting the tube tip to the same width as the gap you are trying to fill.
3. Work your way around the shower slowly, one section at a time. Be sure to clean off any excess grout before moving on to the next section.
4. When you have completed grouting the entire shower let the grout dry for 24 hours before exposing to water.
5. Multiple applications may be necessary depending on shrinkage and clean-up technique used. Just touch-up areas following same procedure as before.

Note: it is not necessary, but if you choose you may apply a protective layer of sealant to the grout. We recommend "Dupont Semi Glass Sealer and Finish." Allow the grout to dry for 24 hours before applying the sealer. Follow the manufacturer's recommendations for application instructions.

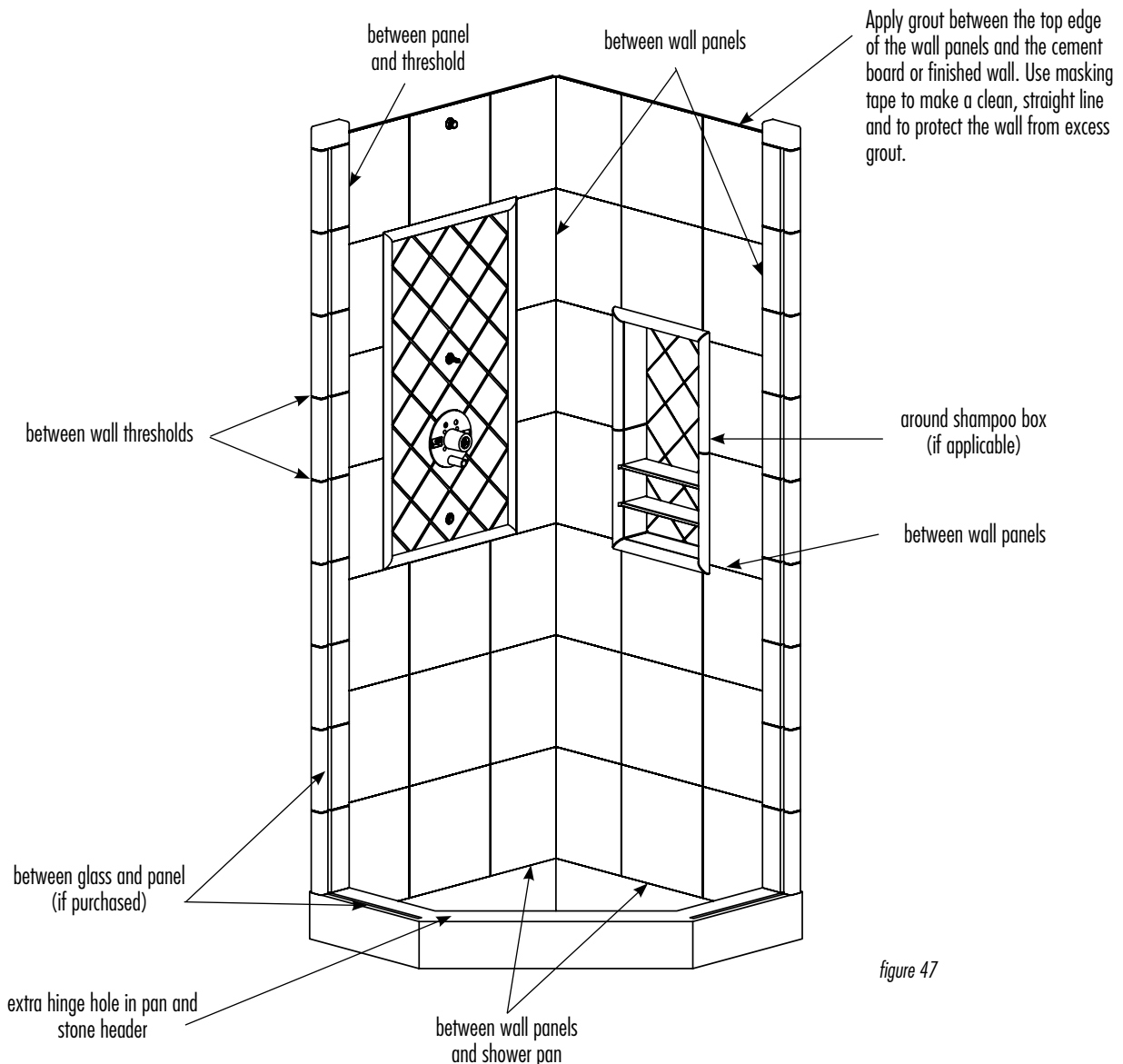
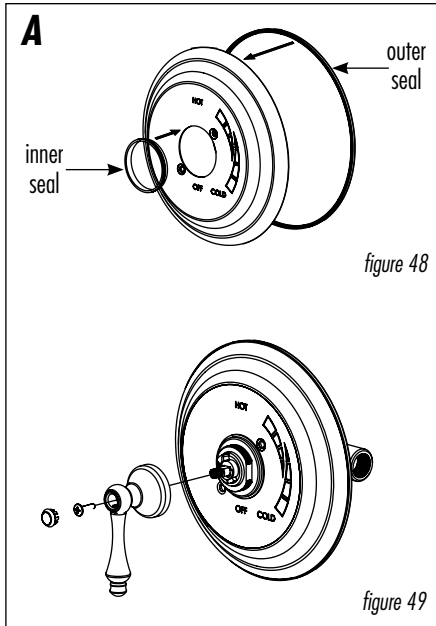


figure 47

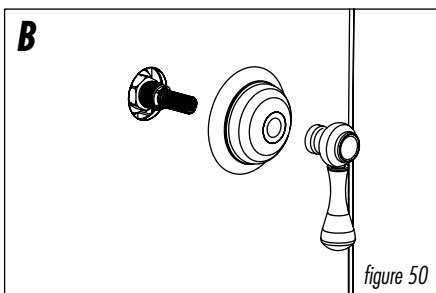


A - Valve Trim

1. Locate the 7 1/2" trim plate and outer seal. Place outer seal on the outside edge of trim plate (fig. 48).
2. Locate the trim plate inner seal and install on the inside hole of the trim plate. The larger part of the seal goes towards the inside of the trim plate (fig. 48).
3. With the hot marking in the up position, push plate onto the valve.
4. Locate the two long screws. Using your fingers, get both screws started and aligned before final tightening of screws.
5. Install the handle on the valve making sure the handle is positioned straight down in the off position (fig. 49).
6. Use the screw provided and screw the handle into position. Place the handle cap on the handle by applying pressure (fig. 49).

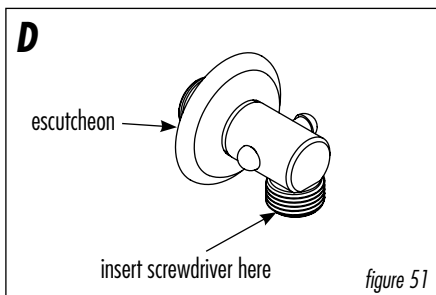
B - Shower Head Shutoff Trim

1. Turning clockwise, screw trim onto the shutoff valve (fig. 50).
2. With handle in down position, push onto valve and tighten the set screw (fig. 50).



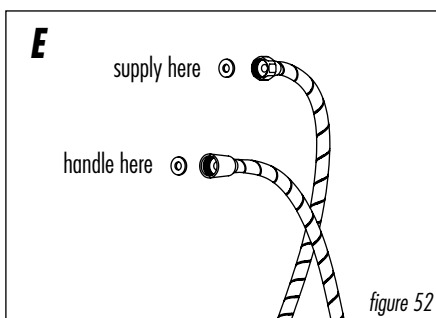
C - Hooked Shower Arm and Shower Head

1. Apply Teflon tape to the top exposed pipe threads.
2. Turning clockwise screw the hooked shower arm on to the pipe. Do not over tighten. Turn until tight and the outlet is facing in the downward position.
3. Locate the shower head. Apply Teflon tape to the exposed threads on the hooked shower arm.
4. Turning clockwise, screw shower head onto hooked shower arm. Do not over tighten.



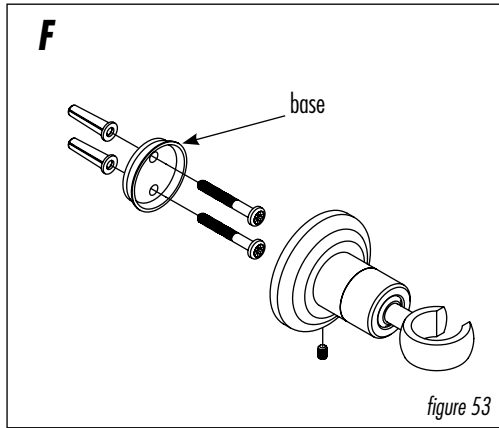
D - Hand Shower Supply

1. Locate the hand shower supply and escutcheon (fig. 51).
2. Put the escutcheon on the shutoff and use Teflon tape on the exposed threads of the hand shower supply.
3. Screw into the hand shower supply outlet. Carefully place a screw driver into the outlet of the hand shower supply and rotate clockwise until tight and in the down position.



E - Hose and Hand Shower

1. Locate the handle and hose (fig. 52).
2. Make sure to place the rubber washers into both ends of the hose and screw onto the hand shower supply and handle. The end with the nut connects to the hand shower supply. The conical shaped end connects to the handle.



F - Hand Shower Mount

1. The hand shower handle can be mounted where you desire. Hold the hand shower mount base at the position you want it to be and mark the holes. (fig. 53).
2. Drill holes with a 7/32" drill bit and insert the plastic inserts.
3. Screw the hand shower mounting base in place.
4. Put the hand shower mount over the base and tighten the set screw.

CARE & MAINTENANCE OF YOUR SHOWER SYSTEM

DO NOT CLEAN CUSTOM STONE WITH PAINT THINNER, ACETONE, LACQUER THINNER, M.E.K. or Other chemicals that attack the structural integrity of Resin Based Stone (including, but not limited to acetone). Use of these chemicals will destroy the surface of the stone and void your warranty. Soapy water, ammonia based cleaners or commercially available solid surface cleaners will remove most dirt and residue from all types of finishes. Stubborn residue will require a little stronger cleaner.

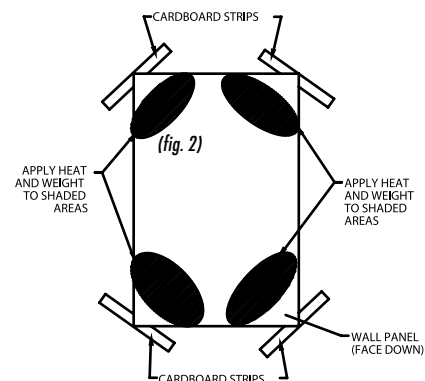
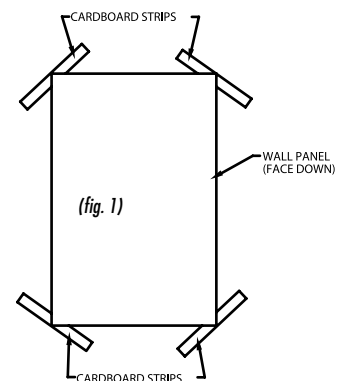
The stone is naturally waterproof and will not absorb spills or soil, simply wipe away soil or spills with a damp sponge. Periodic cleaning with a sponge and warm, soapy water will remove any build up of dust or grime.

SHOWER SYSTEM TROUBLESHOOTING

Correcting Warped Panels

If your wall panels have become warped due to any reason you must flatten them before installation in your bathroom. Follow the steps below to flatten them.

1. Lay panels on a flat protected surface, face down. Be sure to be in a well ventilated area away from any flammable liquids or other flammable items.
2. Put strips of cardboard underneath the corners of the wall panel (fig. 1).
3. Heat the backside of the panels with a propane torch in the corner areas as marked in (fig. 2). (Heating the backside of the wall panel will not harm the tiles on the front of the panel.) Hold the torch a few inches away and move the torch back and forth to heat the area. (Be sure not to burn the panel.)
4. Once the panel is hot to the touch and pliable, carefully apply 5 pounds of weight on indicated areas only (fig. 2).
5. Repeat that process for the other three corners.
6. Allow the panel to cool completely before removing the weight.



SHOWER SYSTEM TROUBLESHOOTING

Shower Panels not bonding to walls

- If the shower panels are not bonding to the cement board, double check the adhesive manufacturer's recommendations for the proper application of their product.
- When storing the panels, the panels may have become warped. Clean off the adhesive and flatten them using the procedure on the previous page.
- Not enough adhesive may have been used. Apply additional adhesive to the back side of each panel and to the cement board walls for extra grab and adhesion when installing the panels.
- If the shower panels still want to pull away from the wall and the panels are straight and you have already applied adhesive to both surfaces, use a brace to support the panels while drying.
- If you are still having difficulty, the panels and walls may have dust on them. Clean off the adhesive and then reapply the adhesive to both the shower panels and walls.
- The type of adhesive purchased may need a rougher texture to adhere to. Try sanding the backside of the panels with 60 grit sandpaper.

Cracks in the Grout Lines

- You might notice slight cracks in the grout lines of the shower pan when you receive it or in any of the grout lines of the walls once the shower has been installed. This can occur with any grout application. If any small cracks develop, clean and then moisten the area. Re-apply a thin coat of the grout already provided to you.

Low Water Pressure from the hand shower

- If you are experiencing low water pressure from your hand shower, remove the showerhead and check for a white flow restrictor. If it does not have a flow restrictor then install one and check to see if the problem persists.
- There may be a clog in the shower lines. Follow the following steps to find a clog.
 - Cap the showerhead outlet and check the flow out of just the hand shower.
 - If the flow is the same as before you have a clog in the hand shower system: Check the hand shower, hand shower hose, and hand shower supply for clogs.
 - The sliding pin on the hand shower mount may be removed to check for clogs. Unscrew the end cap of the pin and pull out pin. Check for debris. Use caution not to drop the pin down the drain. Replace the pin and cap.
 - If the flow increases there is no clog in the handshower system.
 - Cap the hand shower and check the flow from the shower head.
 - If the flow is the same as before, you have a clog in the showerhead system. Check the showerhead and lines for clogs.
 - If the flow increases, there is no clog in the showerhead system.
- If the flow doesn't increase and there are no visible clogs in either the shower head or hand shower the valve cartridge may be clogged. Follow the faucet instructions to check the valve cartridge for clogs.



13395 Estelle Street, Corona, California 92879 Phone 1.800.454.2284 Fax 951.734.1480