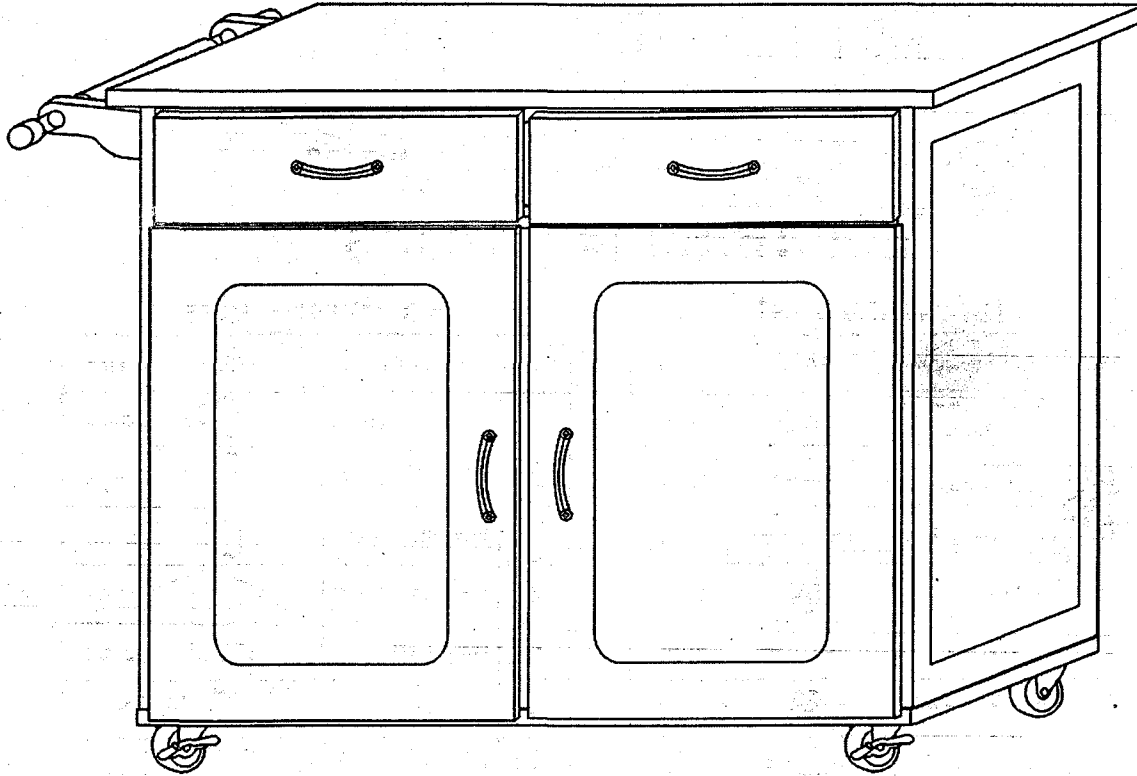


# Assembly Instruction of Large Kitchen Cart

## 60046/60047



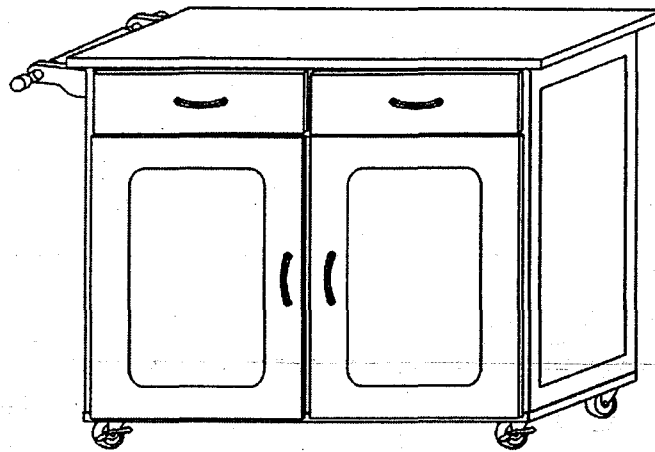
### Note:

- 1) Please be advise to have at least 2 persons to assemble this unit
- 2) Tools not included, but essential for assembling this unit:



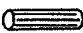

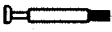


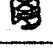
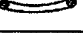

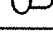


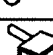



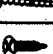


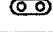



- 3) Place a large cloth or blanket on the floor or flat surface to protect parts from scratching
- 4) Before assembling this unit, please check that all parts and hardware are present

Made in China




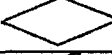
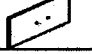




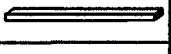
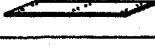
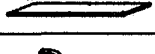

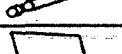

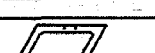

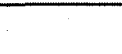


## 60046/60047 (PD8379)

### Hardware List

ITEM	DESCRIPTION	PART	QTY
A	Wooden Dowel ( $\phi 8 \times 30\text{mm}$ )		16PCS
B	Screw ( $\phi 3.5 \times 30\text{mm}$ )		12PCS
C	Long Camlock Bolt		8PCS
D	Big Camlock		8PCS
E	Short Bolt		8PCS
F	Small Camlock Bolt		8PCS
G	Door Handle		4PCS
H	Handle bolt		8PCS
I	Drawer Stopper		4PCS
J	Screw ( $\phi 3.5 \times 12\text{mm}$ )		16PCS
K	Screw		22PCS
L	Castor Screws ( $\phi 5 \times 15\text{mm}$ )		16PCS
M	Shelf pin		8PCS
N	Right Hinges		2PCS
O	3" castor with Brake		2PCS
P	3" castor without Brake		2PCS
Q	Plastic Runner		2PCS
R	Allen Bolt		10PCS
S	Screw ( $\phi 3 \times 12\text{mm}$ )		12PCS
T	Allen Wrench		1PC
U	Magnetic Catch		2PCS
V	Metal bar		2PCS
W	Left Hinges		2PCS

### Hardware List

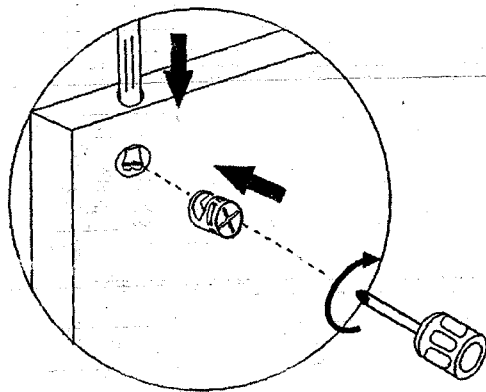
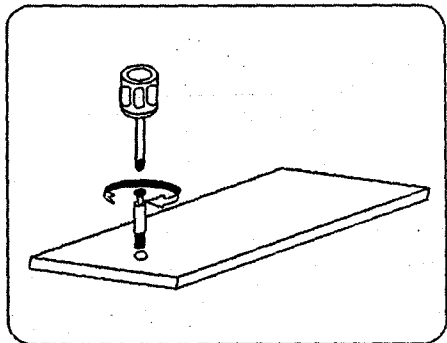
ITEM	DESCRIPTION	PART	QTY
1	Drawer Side Panel(L)		2PCS
2	Drawer Side Panel(R)		2PCS
3	Drawer Back Panel		2PCS
4	Drawer Bottom Panel		2PCS
5	Drawer Front		2PCS
6	Right Panel		1PC
7	Middle Panel		1PC
8	Left Panel		1PC
9	Lower cross bar		1PC
10	Upper cross bar		1PC
11	Top Panel		1PC
12	Bottom Panel		1PC
13	Tower Rack support		2PCS
14	Tower Post		1PC
15	Back panel		2PC
16	Adjustable shelf		2PC
17	Left Door		1PC
18	Right Door		1PC

60046 60047

# ASSEMBLY INSTRUCTION

60046/60047 Large Kitchen Cart

## Assembly of camlock

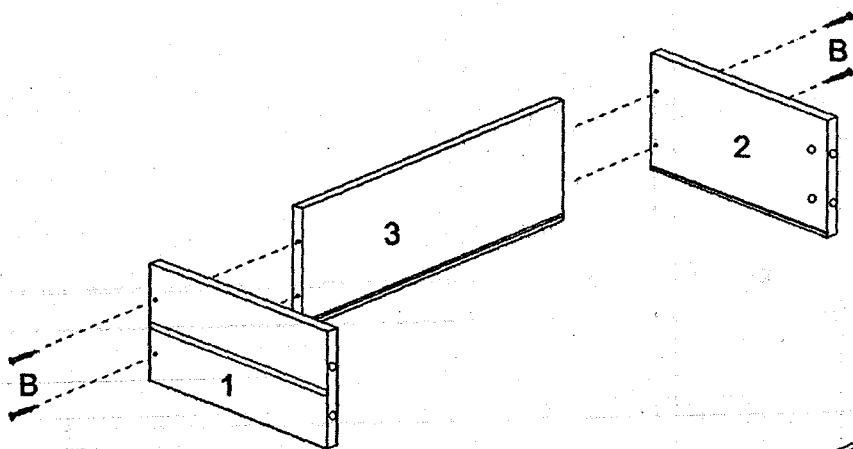


Screw camlock bolt to wood part

Do not tighten camlock unless is instructed

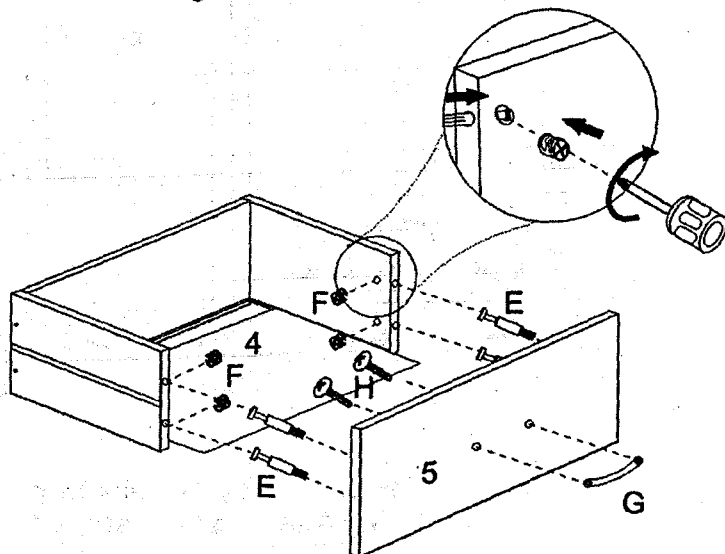
To assemble camlock , ensure long side of the + is facing the bolt before inserting into hole

## Drawer Assembly Instruction

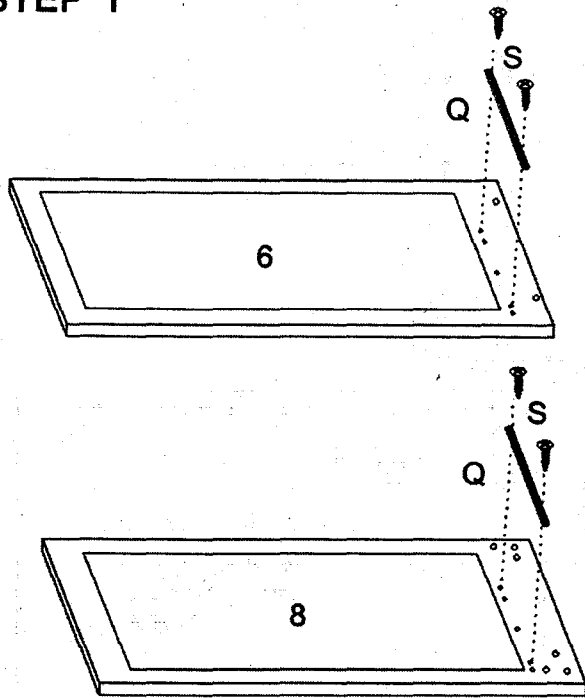


Assemble drawer side panel L (1) and Drawer side panel R (2) to the Drawer Back panel (3) by using screws (B).

Install short Bolt (E) to Drawer Front (5) and Small Camlock (F) to Left & Right Drawer side as shown below  
Install the Drawer Handle (G) to Drawer Front (5) by using Handle Bolt (H)

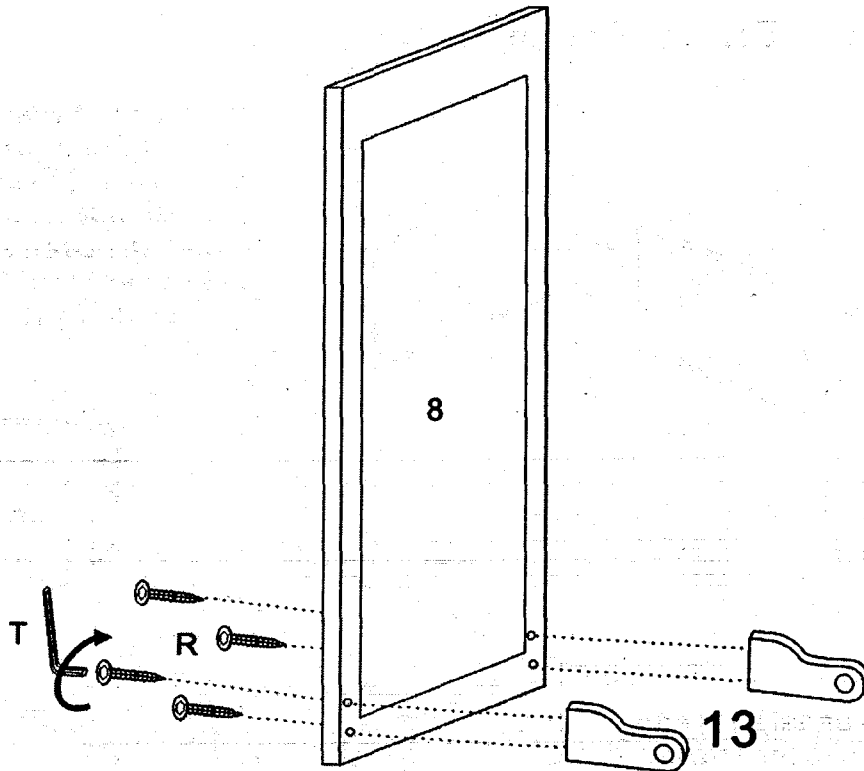


**STEP 1**



Install the Plastic Runner (Q) to the Right panel (6) and Left panel (8) by using screw (S).

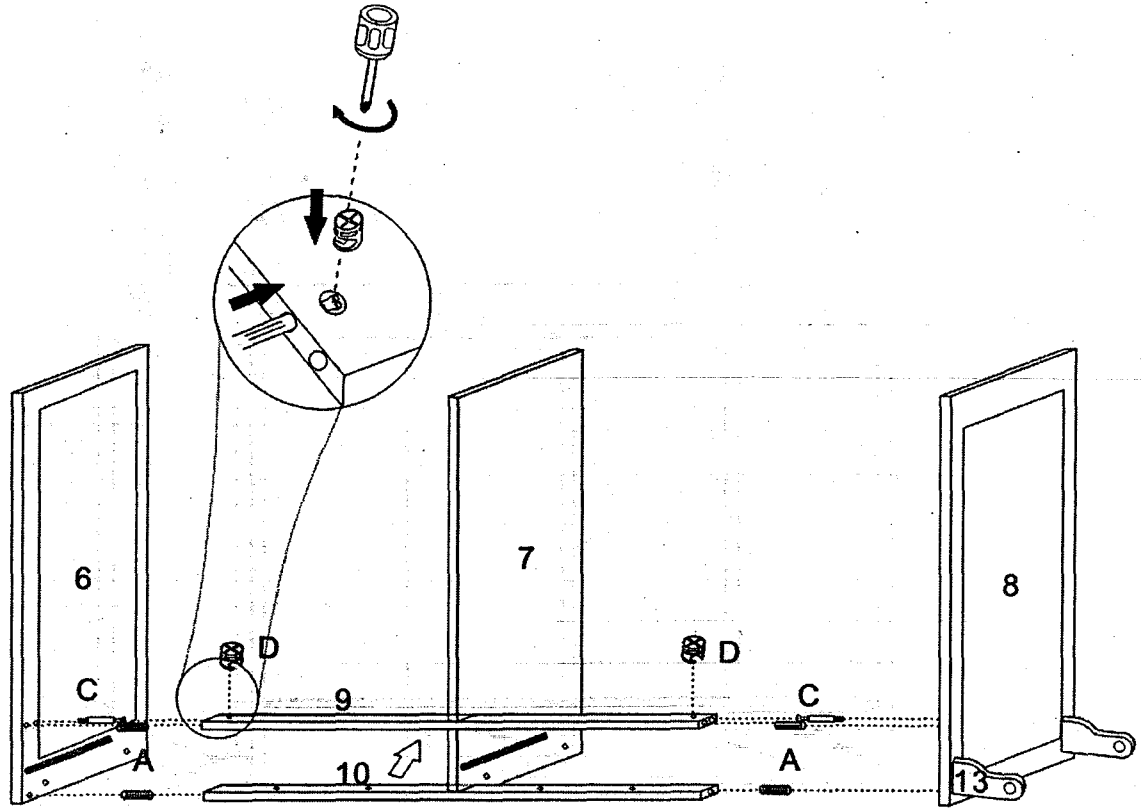
**STEP 2**



Assemble Tower Rack Support (13) to Left Panel (8) by using Allen Bolt (R) and Allen wrench (T).

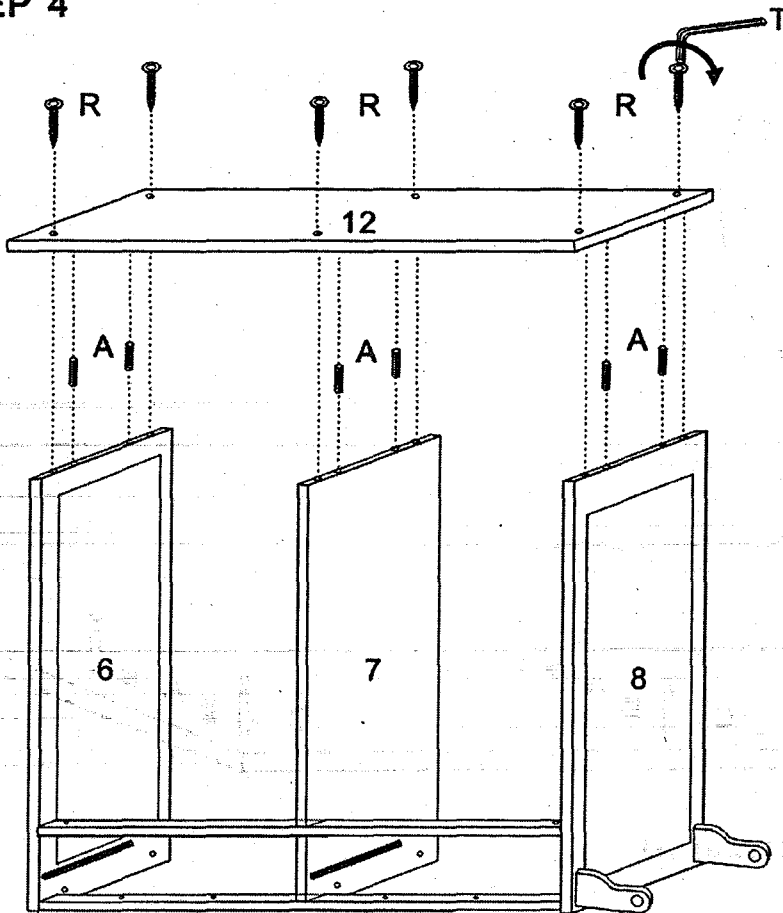
40046 60047

### STEP 3



Assemble the Lower Cross Bar (9) upper Cross Bar (10) by using wooden Dowel (A), Long Bolt (C) and Big Comlock (D) as shown.

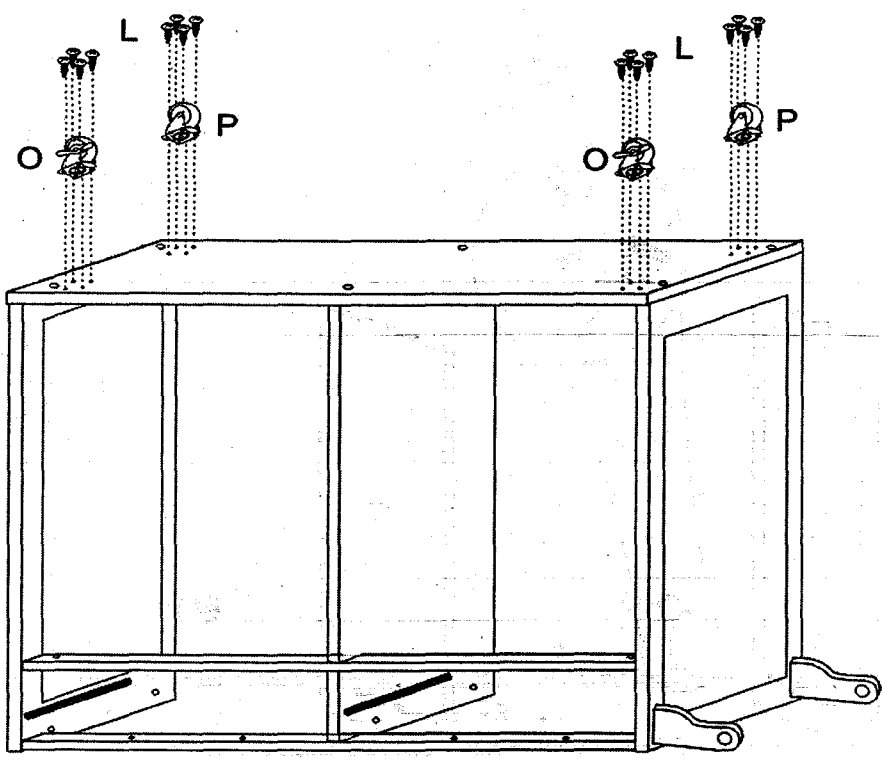
### STEP 4



Assemble Bottom Panel (12) by using Allen Bolt (R) as shown.

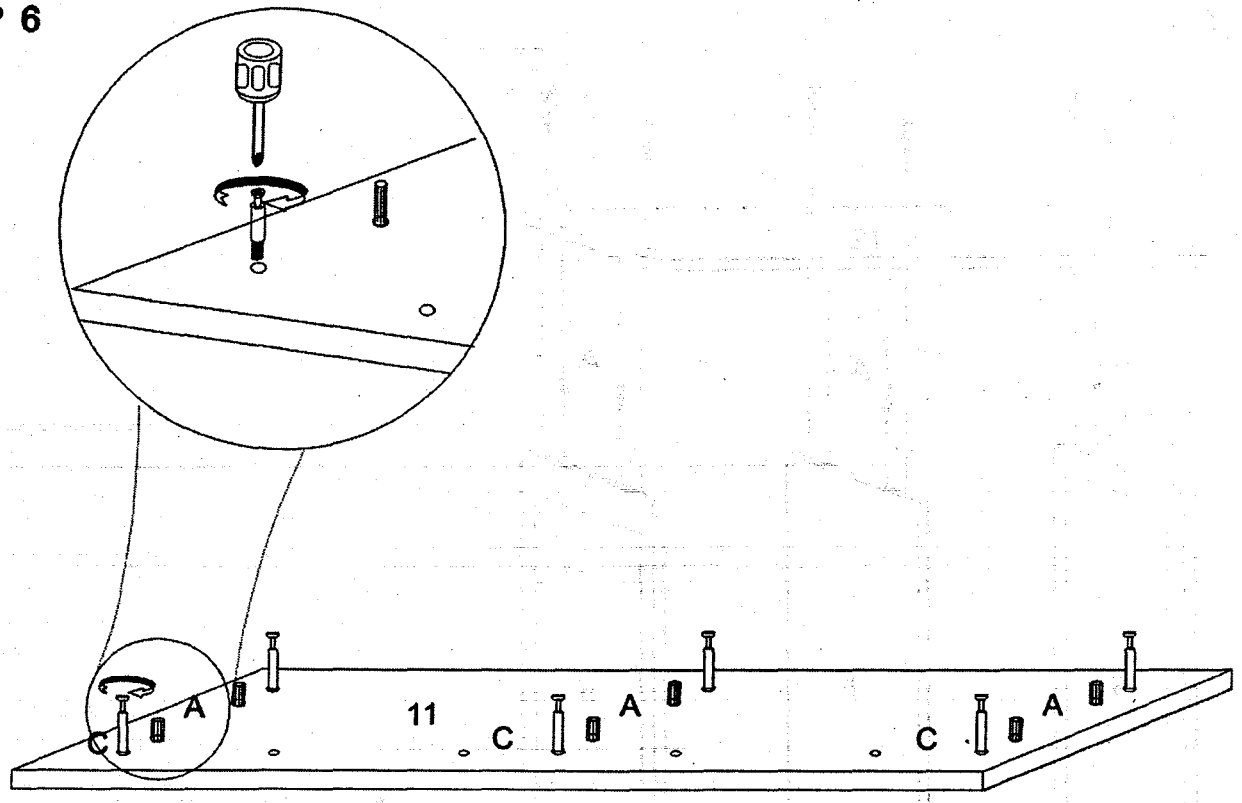
60046 60047

**STEP 5**



Install Castor with Brake (O) at front position and castor without Brake (P) at back position by using castor screws (L) as shown above.

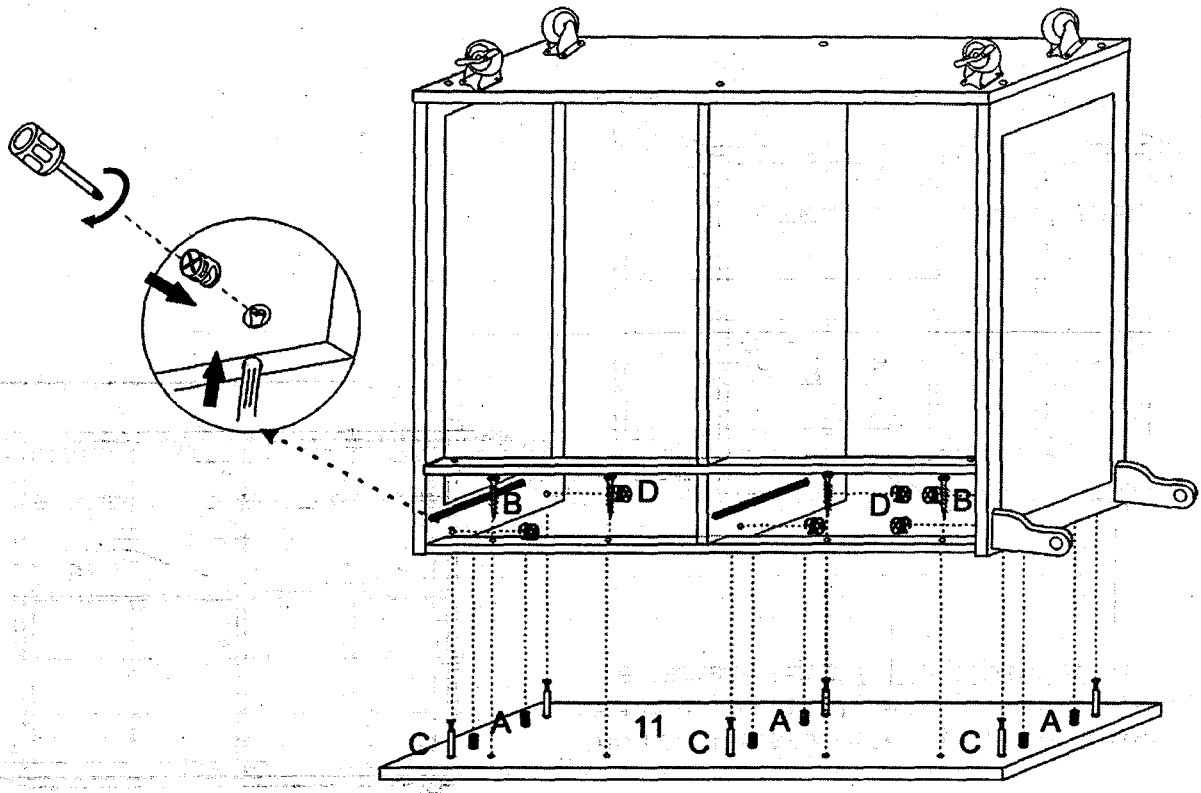
**STEP 6**



Install Long Bolt (C), Wooden Dowel (A) to TOP panel (11).

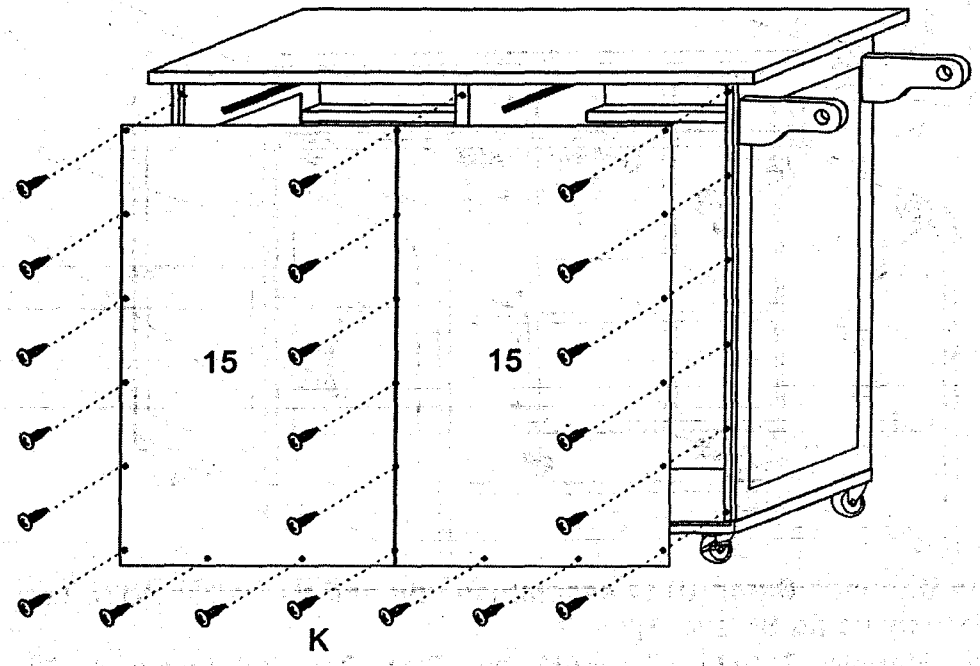
60046 60047

**STEP 7**



Assemble the base to the Top Panel (11) by screws (B) and Big Camlock (D) as shown above.

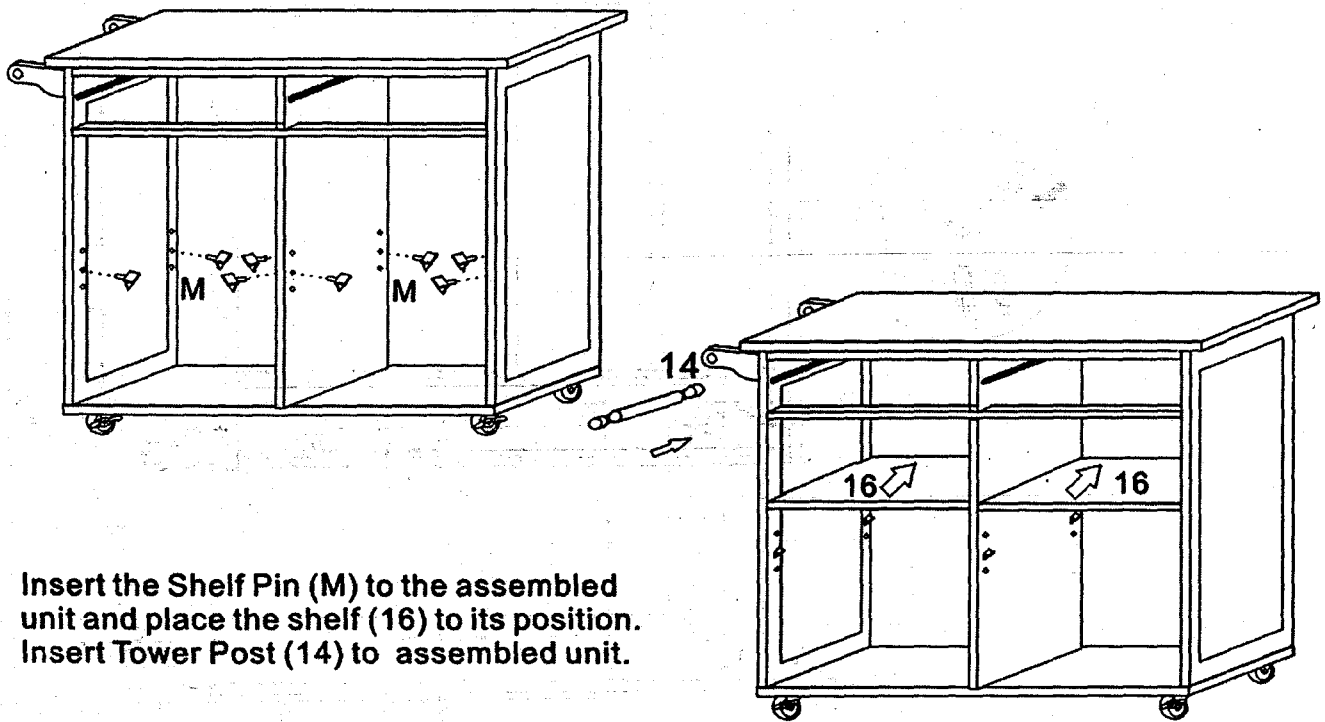
**STEP 8**



Assemble the Back Panel (15) by using screws (K).

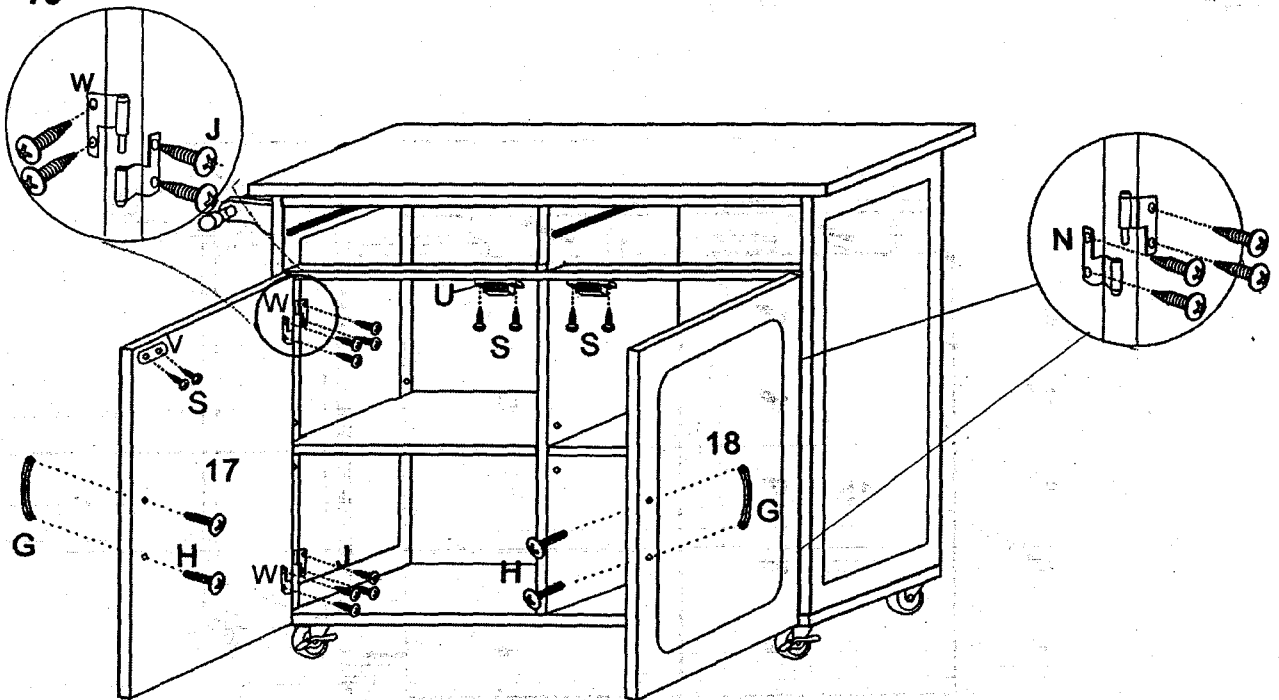
60046 60047

### STEP 9



Insert the Shelf Pin (M) to the assembled unit and place the shelf (16) to its position. Insert Tower Post (14) to assembled unit.

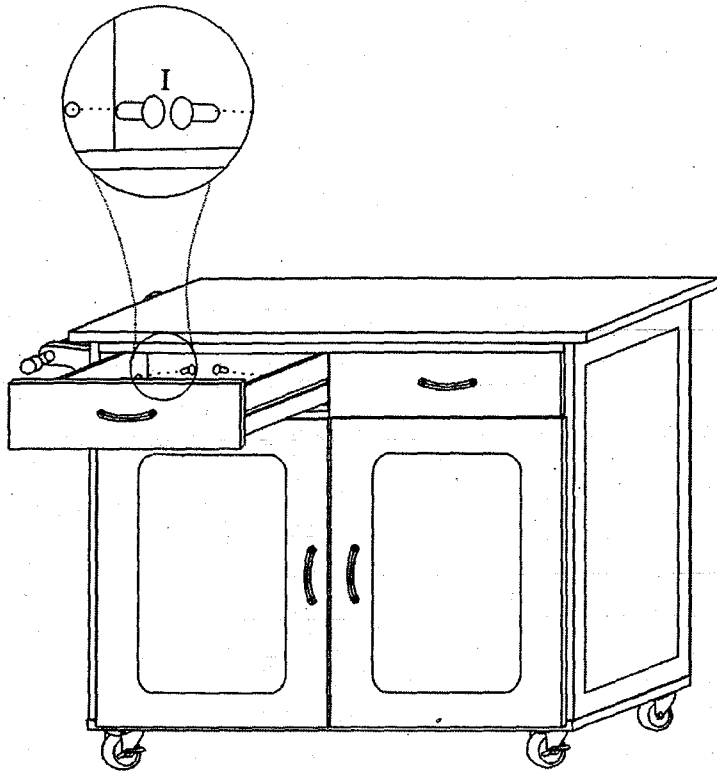
### STEP 10



Assemble the Magnetic Catch(U) to assembled unit and Metal Bar (V) to Left Door (17) and Right Door (18) by using Screw (S).  
Insert the Door Handle (G) to Left Door (17) and Right Door (18) by Handle Bolts (H).  
Assemble the Left Hinges (w) to Left Door (17) and assemble the Right Hinges (N) to Right Door (18) by using Screw (J) as shown above.

W0046 W0047

### STEP 11



Insert the Door stopper (I) while inserting both the drawer to the assembled unit.

### STEP 12

