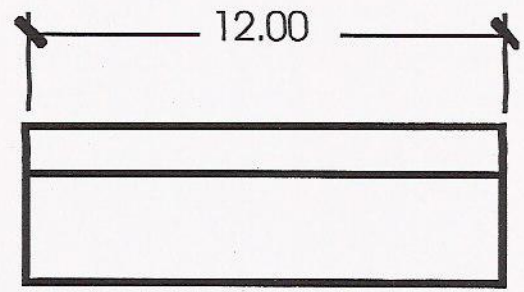
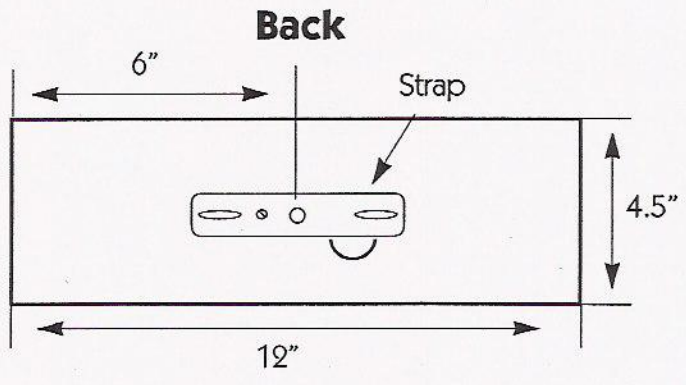


Side



Front



#521 Alena

Mounting Instructions

- Remove backplate with strap/nipple attached from fixture.
- Remove strap with nipple attached and mount to J-box.
- Pull wires from fixture through large hole in backplate and attach to wires in J-box.
- Push wires back into J-box and slip the backplate back onto nipple.
- Secure backplate to nipple with hex nut.
Make sure that enough of the nipple is sticking out to allow you to slip the front of the fixture over it.
- Slip front of fixture over nipple and secure with hex nut.

RON REZEK