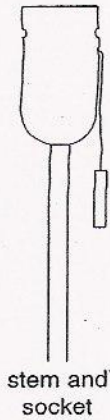
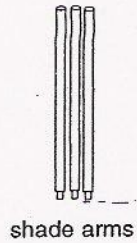
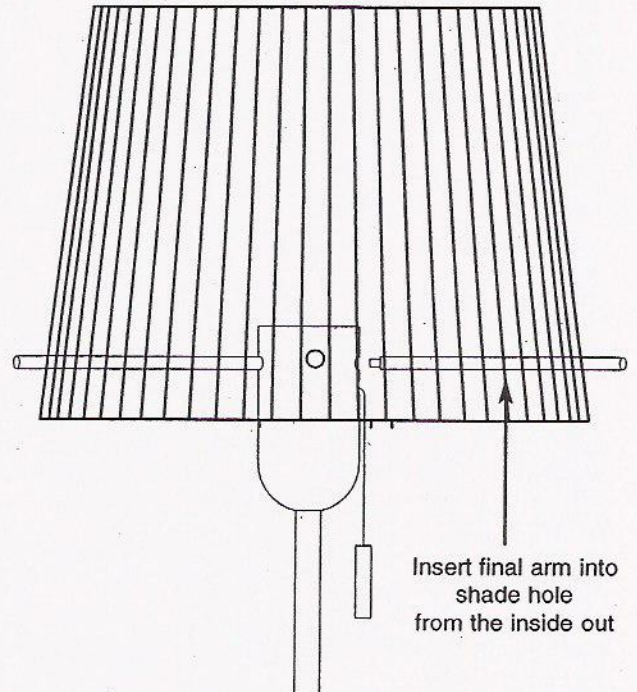
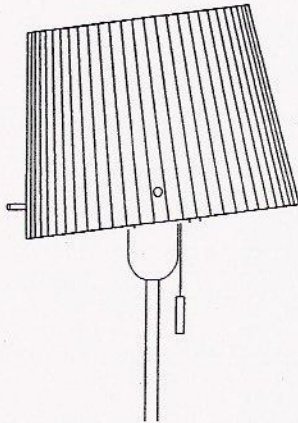
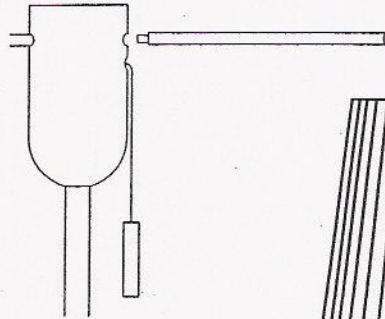


JUPE FLOOR/TABLE



Screw two arms into socket hub.



Assembly Instructions

1. Locate the three shade arms in a bag taped to the stem of the fixture.
2. Screw two of the arms into two of the holes in the socket hub.
3. By slightly tilting the shade, slide the two attached arms through two of the holes on the shade.
4. While still supporting the shade with your hand, slide the remaining arm through the remaining hole in the shade from the inside out. Then screw the arm into the socket hub.