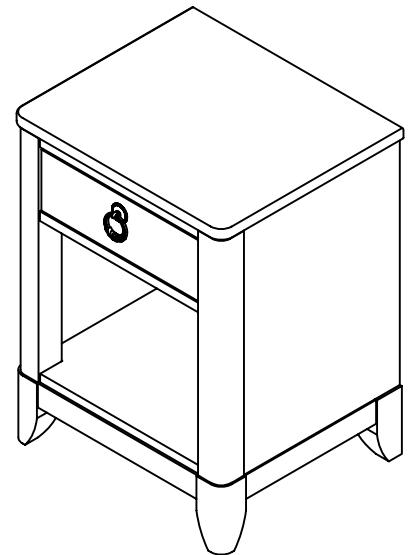


88 5540 42 Paris Night Stand



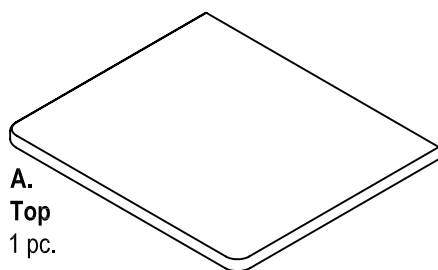
Home
Styles

IMPORTANT NOTE

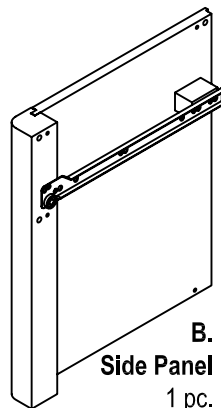
Carefully remove all the parts from the carton and put them individually on a soft cloth to prevent scratches or other damages occurring to the wood parts.

We have taken great care in the design of this product and request that you carefully and strictly follow our assembly instructions to ensure a completed product as it was designed.

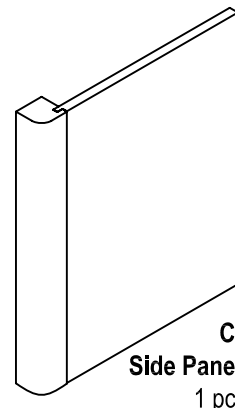
Part List



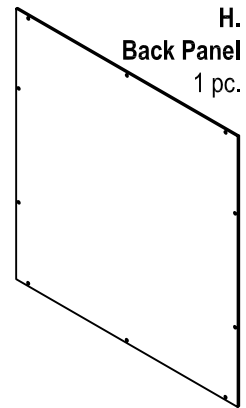
A.
Top
1 pc.



B.
Side Panel
1 pc.



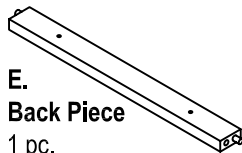
C.
Side Panel
1 pc.



H.
Back Panel
1 pc.



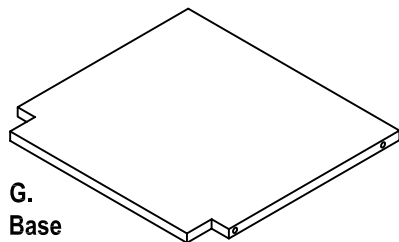
D.
Front Piece
1 pc.



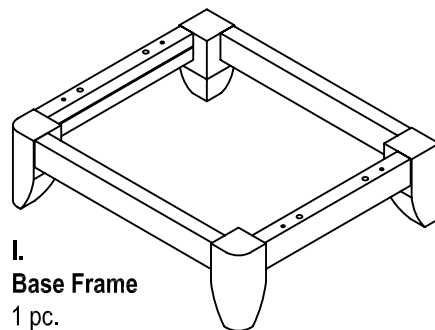
E.
Back Piece
1 pc.



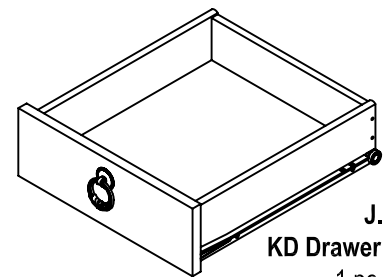
F.
Front Piece
1 pc.



G.
Base
1 pc.



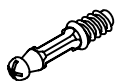
I.
Base Frame
1 pc.



J.
KD Drawer
1 pc.

(Knock-Down Construction, please refer to the last page of instructions for steps to complete drawer assembly)

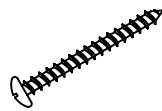
Hardware List



Cam Lock Screw
10 pcs. (+1 extra)



Cam Lock
10 pcs. (+1 extra)



1 1/2" Round Head Screw
4 pcs. (+1 extra)



1" Round Head Screw
4 pcs. (+1 extra)



1/2" Round Head Screw
10 pcs. (+1 extra)



1 1/4" Flat Head Screw
8 pcs. (+1 extra)



3/4" Flat Head Screw
2 pcs. (+1 extra)



Handle
1 pc.



Machine Screw
1 pc.



Wooden Dowel
4 pcs. (+1 extra)

Tools Required For Assembly : Phillips screwdriver

Home Styles Consumer Assistance Line 888-680-7460 and 877-831-0319
servicedesk@homestyles-furniture.com

Assembly Instructions 2/6

IMPORTANT

Do not tighten up all the screws until each part is properly assembled.

STEP 1

Insert Cam Lock Screws into the pre-drilled holes of Side Panel (B) and (C).

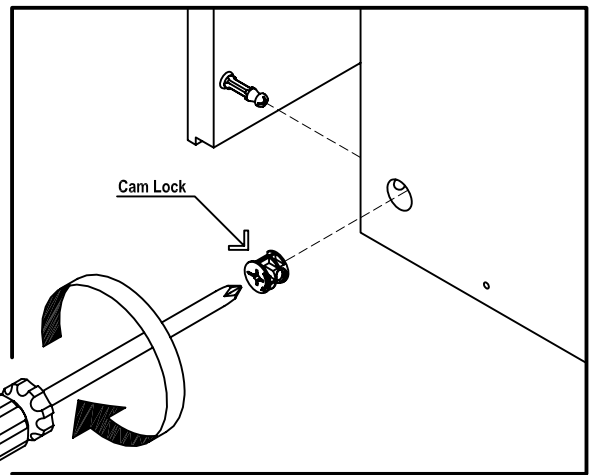
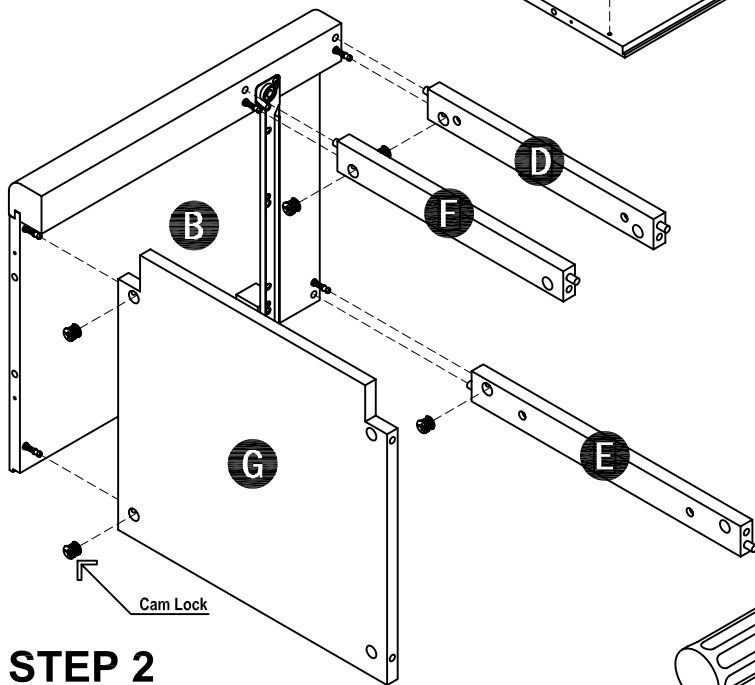
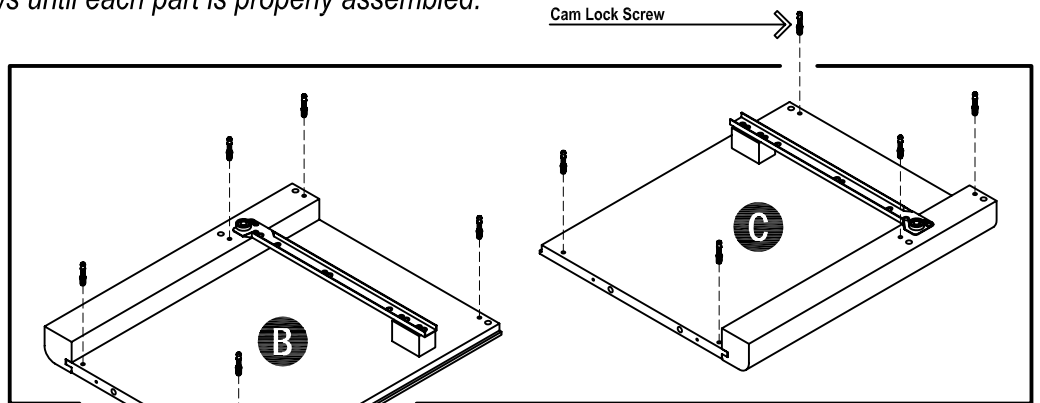


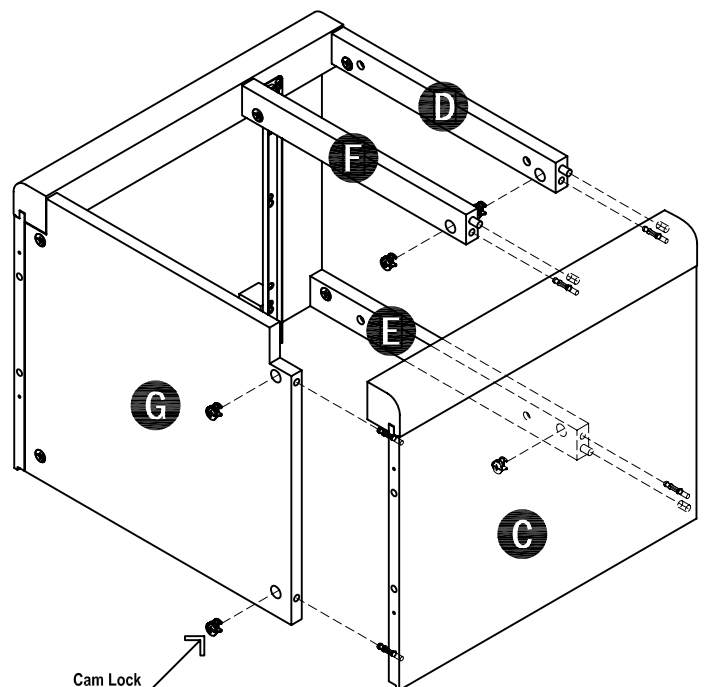
Figure 1

STEP 2

Attach Front Pieces (D & F), Back Piece (E) and Base (G) to Side Panel (B) with Cam Locks. (See figure 1)

STEP 3

Attach Side Panel (C) to unit using Cam Locks.



Assembly Instructions 3/6

STEP 4

Attach Base Frame (I) to unit using 1 1/2" Round Head Screws and Wooden Dowels.
(See figure 2)

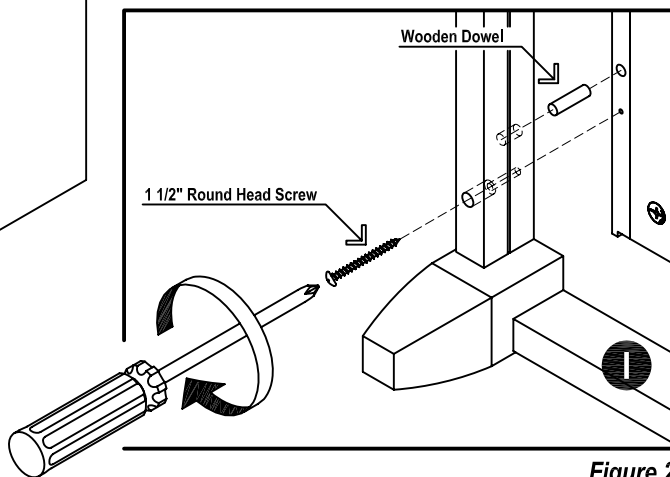
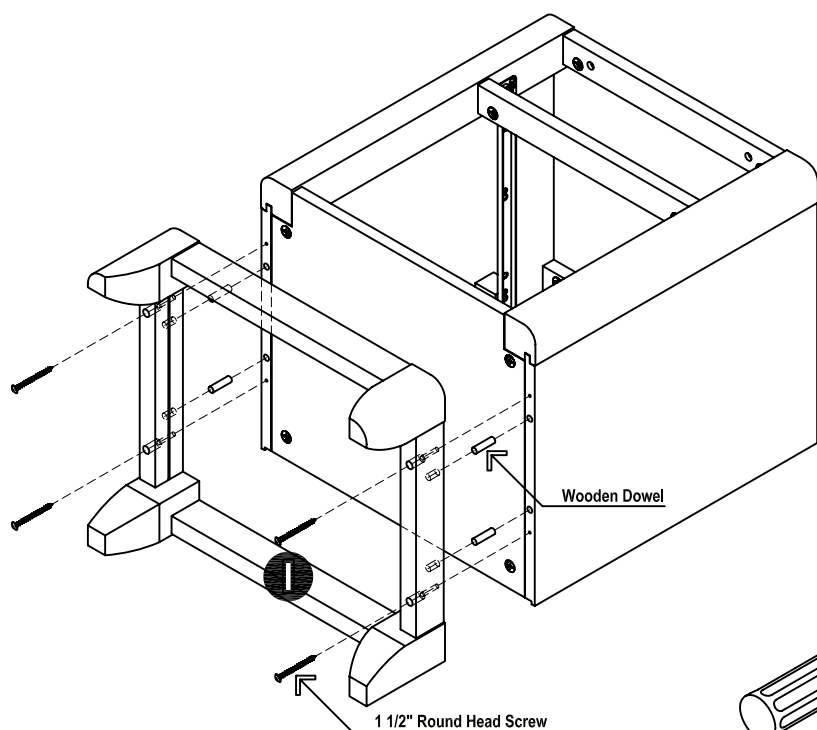


Figure 2

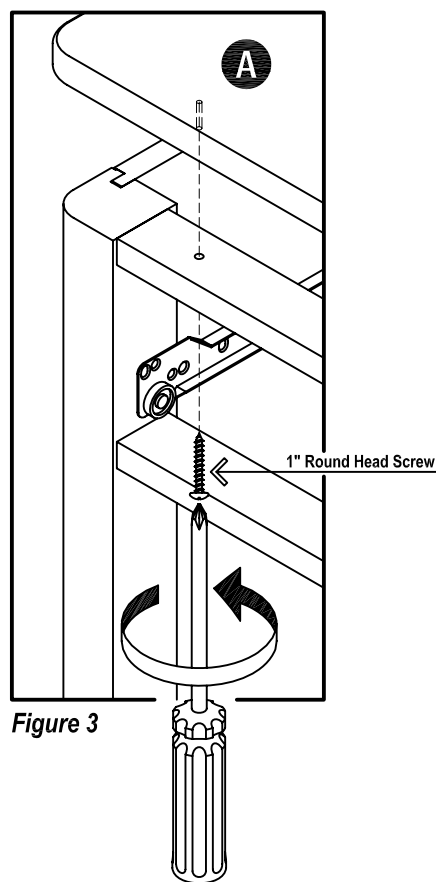
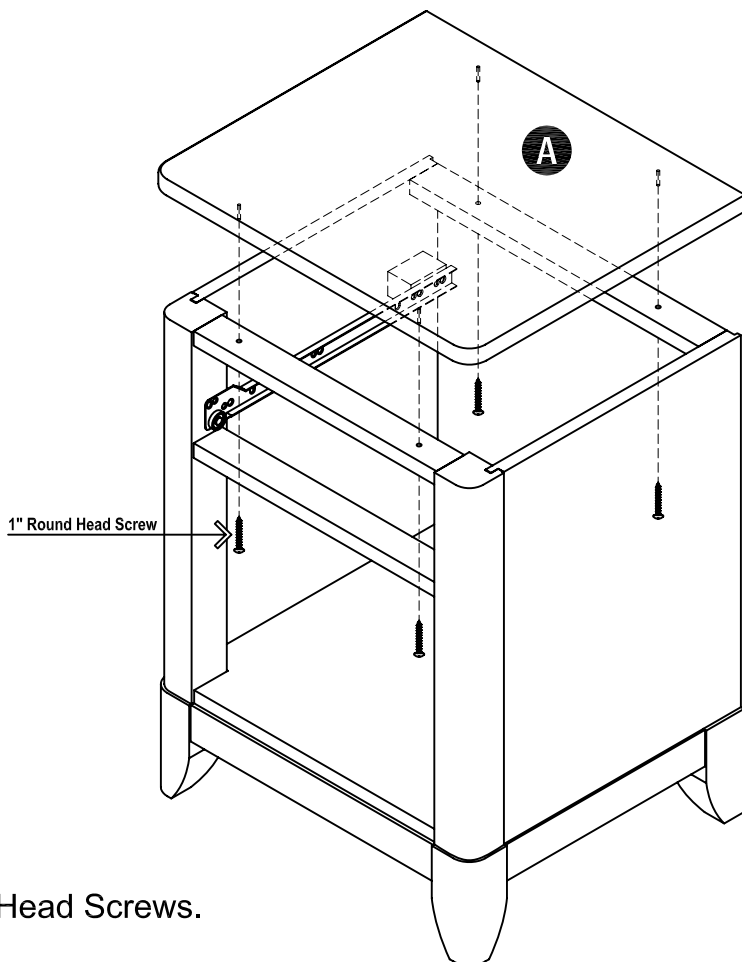


Figure 3

STEP 5

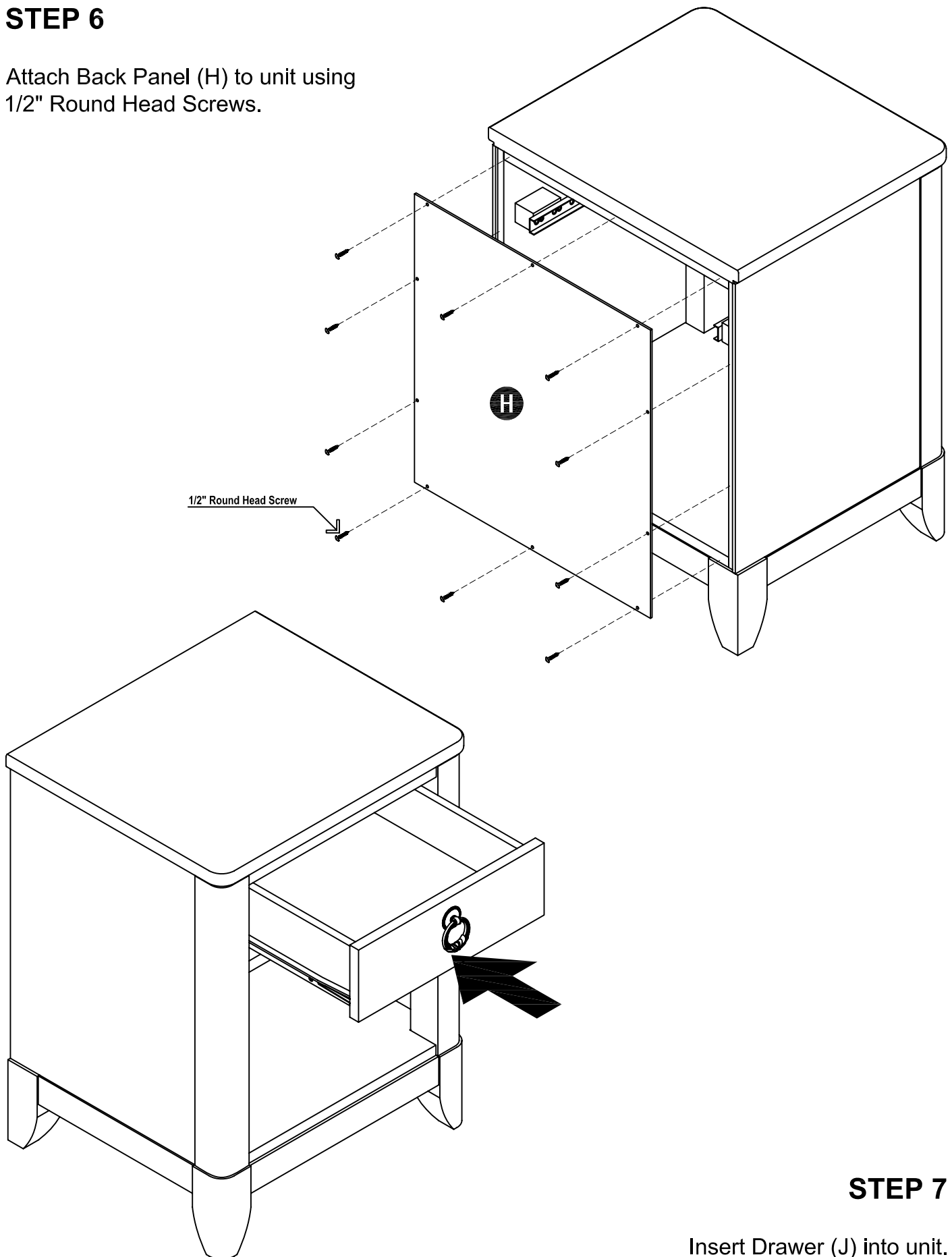
Place Top (A) onto the unit using 1" Round Head Screws.
(See figure 3)



Assembly Instructions 4/6

STEP 6

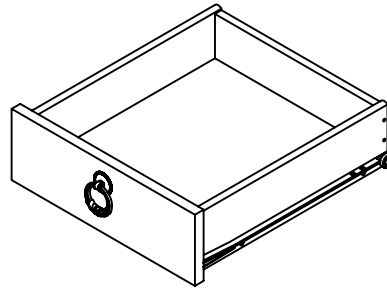
Attach Back Panel (H) to unit using
1/2" Round Head Screws.



STEP 7

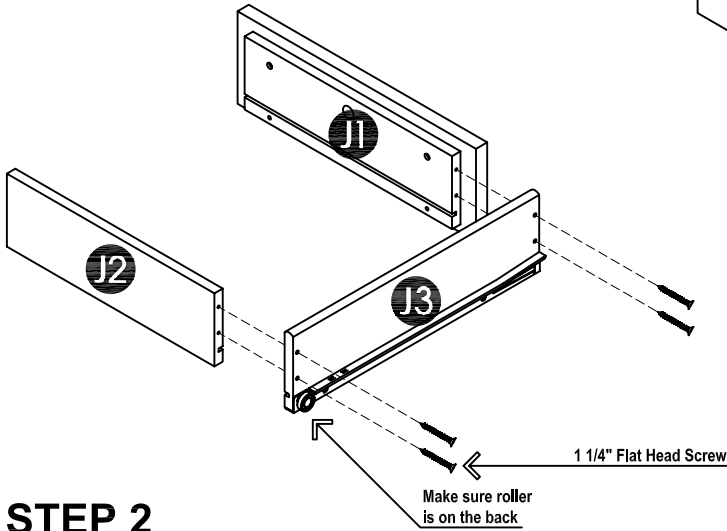
Insert Drawer (J) into unit.

Drawer (J)



STEP 1

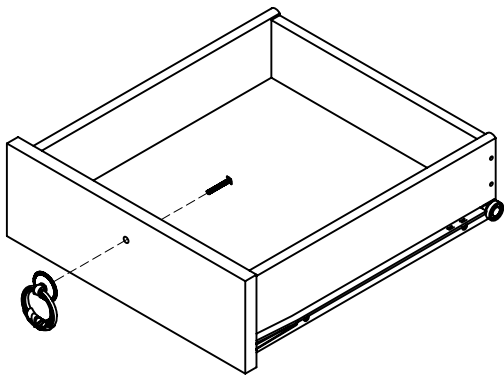
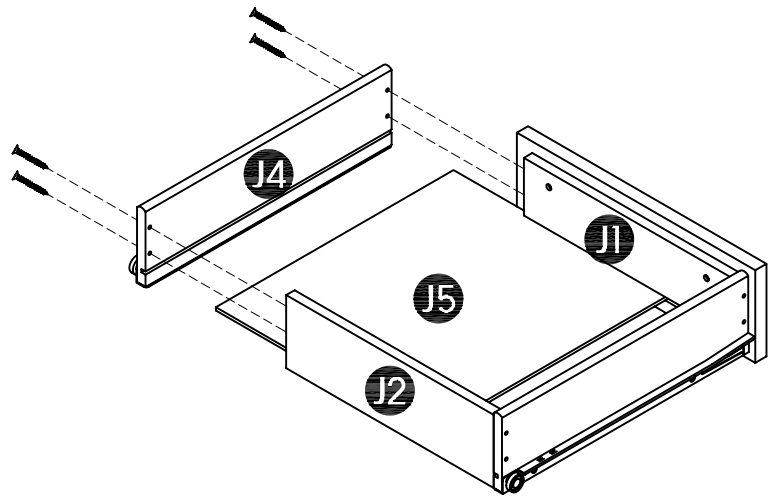
Attach Side Part (J3) to Front Part (J1) and Back Part (J2) using a Phillips screwdriver and 1 1/4" Flat Head Screws.



STEP 2

Insert Base Part (J5) into the groove.

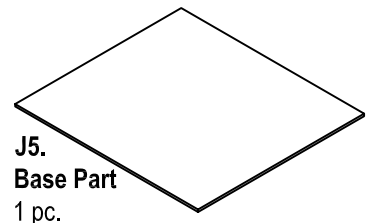
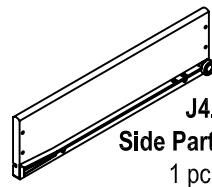
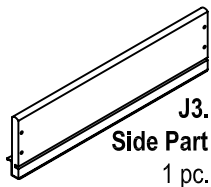
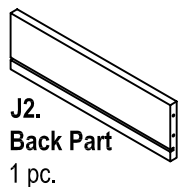
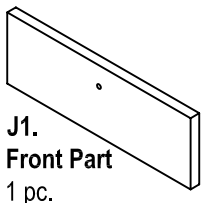
Attach Side Part (J4) to Front Part (J1) and Back Part (J2) using a Phillips screwdriver and 1 1/4" Flat Head Screws.



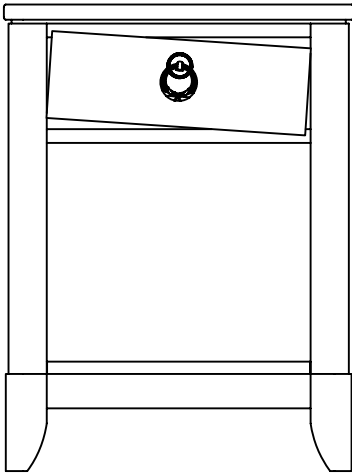
STEP 3

Attach Handle with Machine Screw.

Part List



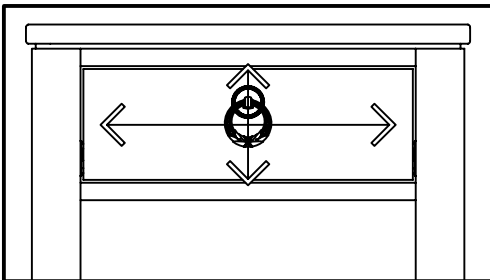
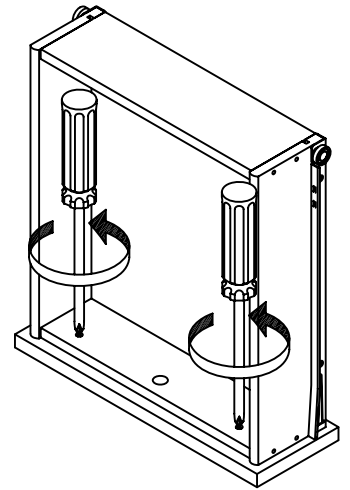
Assembly Instructions 6/6



I. IF THE DRAWER DOES NOT ALIGN

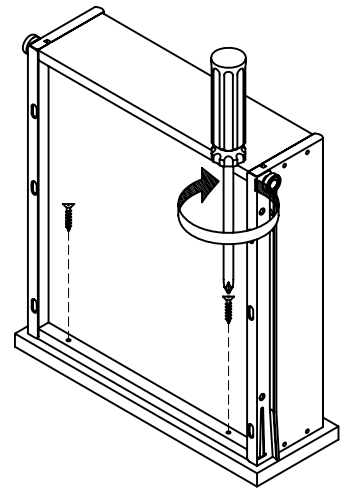
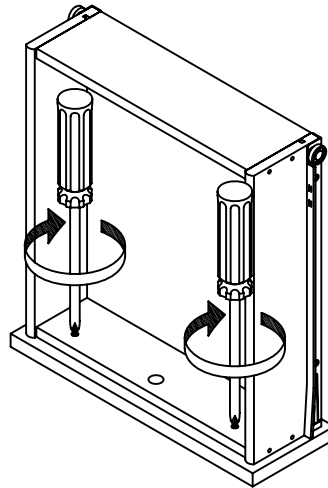
STEP 1

Loosen slightly the upper screws.



STEP 2

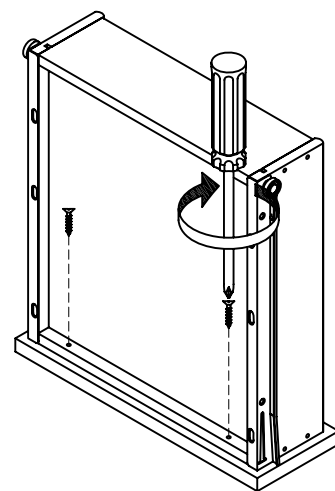
Insert the drawer into the main body, then adjust the drawer front panel left or right and up or down, until the drawer gaps look proportional.



STEP 3

Pull the drawer open slowly and tighten the upper screws. Make sure the front panel does not move and lock the drawer front panel into position with 3/4" Flat Head Screws.

II. IF THE DRAWER ALREADY ALIGNS



Pull out drawer slowly. Lock the drawer front panel into position with 3/4" Flat Head Screws.