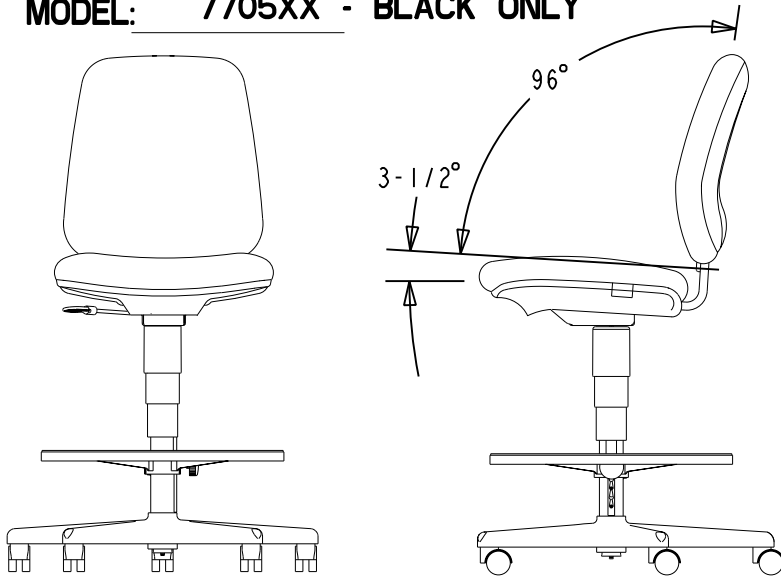


MODEL: 7705XX - BLACK ONLY



CHAIR SPECIFICATIONS

Max. Width..... 26 3/4
 Max. Depth..... 27 1/2
 Max. Height..... 47 1/2

SEAT SIZE

Width..... 20
 Depth..... 18
 Usable Depth..... 18
 Height from Floor.... 22 1/2 - 32 1/2

BACK SIZE

Width..... 18
 Height..... 18-1/2
 Height from Seat.... 17-1/2-20

LUMBAR

Height..... 7 - 9 1/2

FOOTRING

Size..... 20
 Height from Floor.. 7 1/8 - 12 - 1/4

CONSTRUCTION

- Caster..... Black hooded 2" diameter dual wheel.
- Optional Caster..... See Dealer Net Pricer.
- Base..... Black, (5) leg, injection molded plastic base.
- Control..... Black heavy gauge steel, swivel only, 17-4 taper
- Seat..... 5/8" thick 5-ply plywood, 3-1/2" thick molded urethane foam cushion.
- Back..... Compound-curved shaped blow-molded plastic, 1 1/2" thick urethane foam cushion.
- Arm..... Optional: Model 7795 (Adjustable Height T-post Arm)
 Model 7791 (Loop Arm)
 Model GL103 (All Adjustable GEL arm)
 Model GL105 (Adjustable Height GEL arm)
- Upholstery..... See Dealer Net Pricer. Customer own material (COM) required yardage per SKU = 2yds.
- Chair Weight..... 31 pounds
- Shipping Weight..... 41 pounds
- Shipped..... Completely assembled.
- Shipping Size..... 28 3/4 " X 25 1/2" X 39 1/8" (16.60 FT³).

Flammability

Rating..... Furnished upon request by THE HON COMPANY CUSTOMER SERVICE .

Special Features.... A pneumatic gas cylinder is used for seat height adjustment of chair.

Note..... All measurements are per ANSI/BIFMA procedures.

Issue Date: 2/24/99

Part Number: 53-4208

Revision: B

HON THE HON COMPANY		LOCATION			MODEL:			PART NO		DWG REV			
TITLE		12	15	17	22	23	33	7705XX		53-4208 Sheet 2 of 2	B		
CHAIR SPECIFICATION		●						Dwn	S. TALLMAN 11/1/96			CRD	03/31/97 JHG

① .SEAT FOAM WAS 3/8" FOAM TOPPER ON A 3-1/2" SCULPTED URETHANE FOAM CUSHION; ADDED GL103 AND GL105 AS ARM OPTIONS (E.C.R. 123130 & REL. NO. 12-3551-1) 2-24-99 ←
STB KMK

REVISION NOTES

**FOR VIEWING ONLY
DO NOT PRINT**