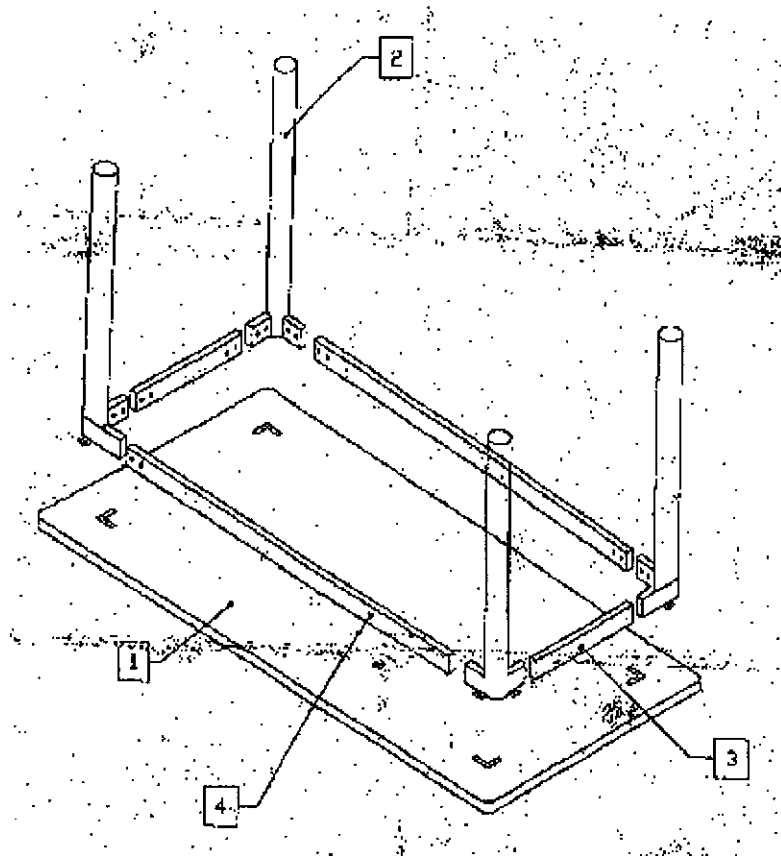


## ASSEMBLY INSTRUCTIONS: LIBRARY TABLES (LIB TBL)



HARDWARE		
QUANTITY	PART NUMBER	DESCRIPTION
4	1010530	FLOOR GLIDES
8	1010540	#10-3/4" WOOD SCREW
16	1010570	1/4-20 X 1/2" HEX HEAD BOLT
8	10105741	#10-3" WOOD SCREW

### INSTRUCTIONS

1. Lay top upside down on a clean, scratch free surface.
2. Assemble legs to aprons by sliding aprons onto leg bracket and using 1/4-20 X 1/2" hex head bolts. Finger tighten only.
3. Place frame onto top and center using alignment targets provided.
4. Screw through aprons with #10-3" wood screw.
5. Tighten all 1/4-20 X 1/2" hex head bolts.
6. Install #10-3/4" wood screws through tabs in each leg.
7. Install floor glides.
8. Turn table upright.