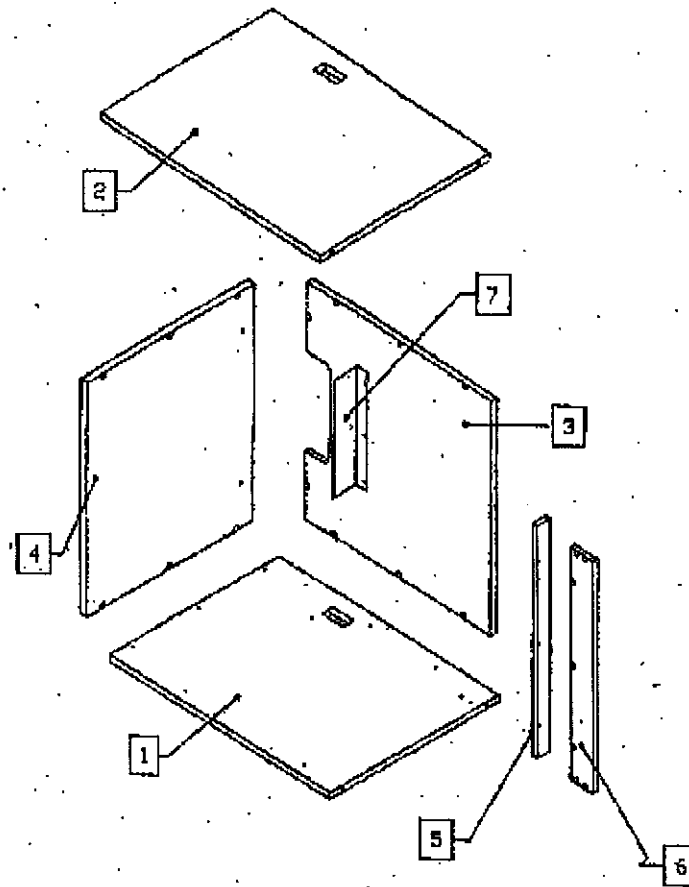


## ASSEMBLY INSTRUCTIONS: 32" AND 39" HIGH BOOK RETURN (32/39 BR)



HARDWARE		
QUANTITY	PART NUMBER	DESCRIPTION
3	1010540	#10 3/4" WOOD SCREW
4	1010562	1/4-20 BASE LEVELER
22	1010568	RAFIX BOLT
4	1010591	M4 5 X 35MM SLEEVE NUT
4	1010592	M4 X 25MM SCREW

### USING THE TWIST LOCK FASTENER

Your unit has been designed to assemble quickly using twist lock fasteners. Secure each fastener as follows:

1. Slide twist lock fastener over twist lock locating screw.
2. Using a Phillips head screw driver, turn the twist lock fastener clockwise approximately one quarter turn to securely engage and lock the device.

NOTE: Your Phillips head screw driver should be approximately at a 25° angle from the surface you are connecting to for ease of assembly.

3. Test to see if the connection is secure by trying to separate the parts.
4. Proceed to next twist lock and repeat.

## **INSTRUCTIONS**

1. Lay the end panels upside down on a clean, scratch free surface. Install rafx bolts in all holes except where noted.
2. Lay top on clean, scratch free surface and install two rafx bolts.
3. Lay shelf on a clean, scratch free surface and install three rafx bolts.
4. Place left end panel on a clean, scratch free surface.
5. With two people, install back panel by sliding onto rafx bolts and locking into place.
6. Install the top using the same methods.
7. Install the base.
8. Install the shelf.
9. Install the book drop bracket.
10. Install the four ¼-20 base levelers.
11. Turn unit upright.

## **CONNECTING CIRCULATION DESK PIECES**

1. Level all pieces to be connected.
2. Using a 13/62" drill bit, drill through the four predrilled holes that were not used for assembly.
3. Install M4 5 X 35mm sleeve nut and M4 25mm screw and tighten.