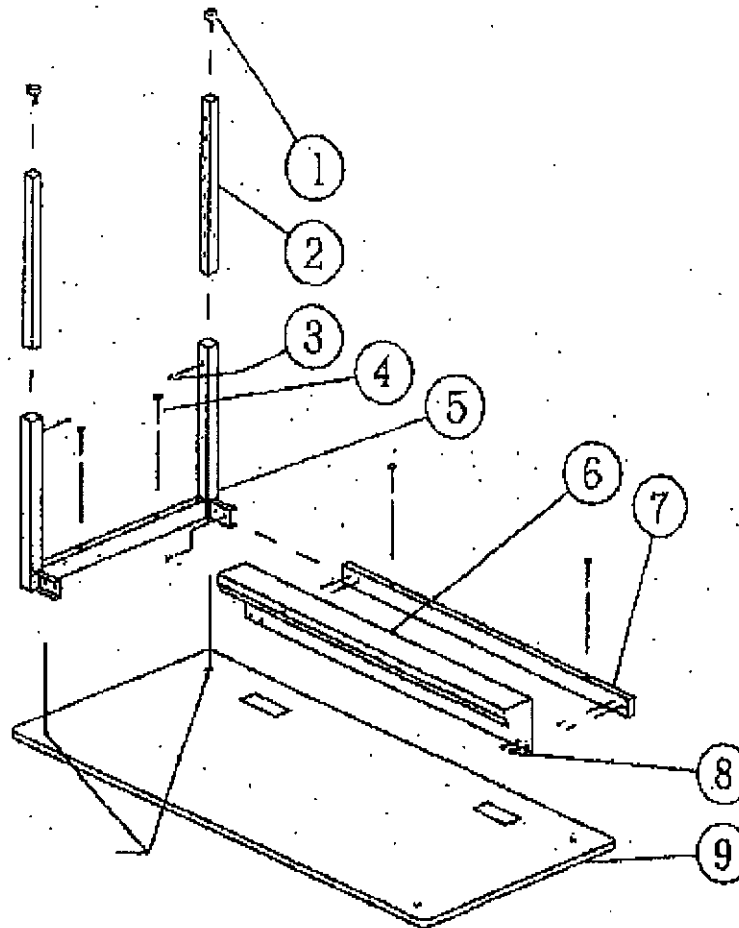


## ASSEMBLY INSTRUCTIONS: COMPUTER TRAINING DESK (CTT/SCT)



HARDWARE		
QUANTITY	PART NUMBER	DESCRIPTION
4	1010530	FLOOR GLIDE
4	1010541	3/8-16 X 1/2" SET SCREW
1	1010549	3/16 HEX KEY
8	1010570	1/4-20 X 1/2" HEX HEAD BOLT
8	10105741	#10-3" WOOD SCREW

### INSTRUCTIONS

1. Lay the top upside down on a clean, scratch free surface.
2. Align cross members with mounting holes on the leg weldment.
3. Secure the front cross member to the leg weldment using four 1/4-20 X 1/2" hex head bolts. Finger tighten only.
4. Align the chase with the rear cross member and secure both items to the leg weldments using four 1/4-20 X 1/2" hex head bolts. Tighten all eight 1/4-20 X 1/2" hex head bolts.

NOTE: Better access to the rear four hex head bolts may be achieved by rotating the assembly onto its back legs.

5. Align the inside four edges of the frame assembly with the four alignment targets on the top. While holding the frame assembly over the alignment targets, secure the frame to the top using #10-3" wood screws.

NOTE: Eight #10-3" wood screws will be used to attach CTT frames. Six #10-3" wood screws will be used to attach SCT frames.

6. Place the four lower legs into the leg weldments and secure at desired height using one 3/16 X 1/2" set screw per lower leg. The flat head on the set screw should engage securely in the alignment hole in the lower leg to insure the leg will stay in position even if the set screw becomes loose.

7. Install four floor glides into the bottom of each lower leg.

8. If you have purchased optional keyboards or CPU holders, assemble them per their separate instructions and hardware.

9. Using two or more people, place assembled table upright.