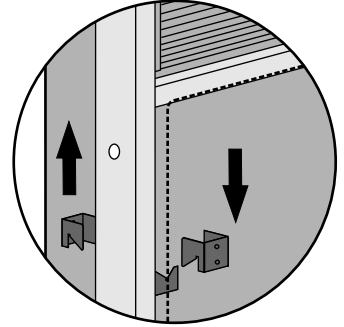
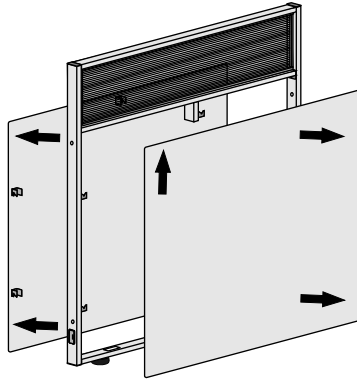


The accessory of panel are inside them

1

lift panel enough to assemble panel hadd to frame hook

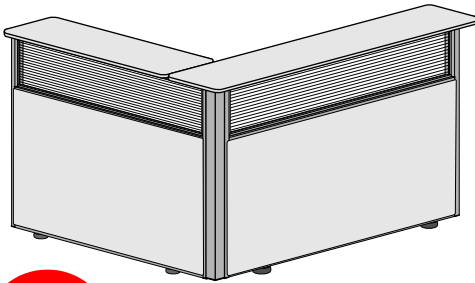


**ASSEMBLY INSTRUCTIONS**

INSTRUCTIVO DE ENSAMBLE

Pg297

RECEPTION STANT

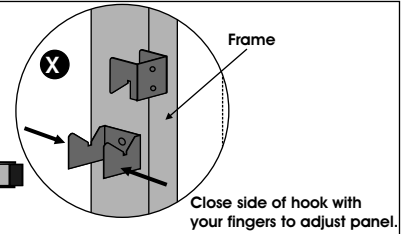
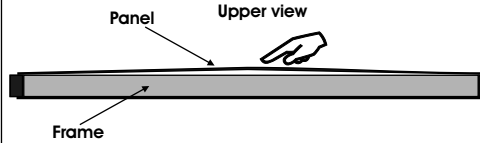


**A T** 8 min  
ASSEMBLY TIME

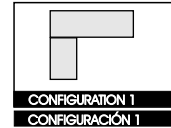
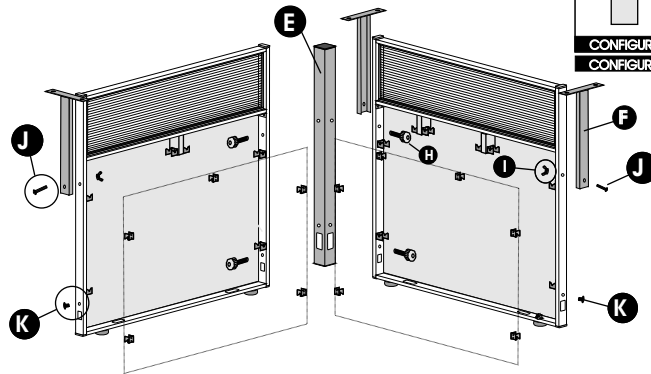
PATENT PENDING

PATENTE EN TRAMITE

If floor panel has a gap between panel and frame as show in the upper view; just adjust hooks as show in figure

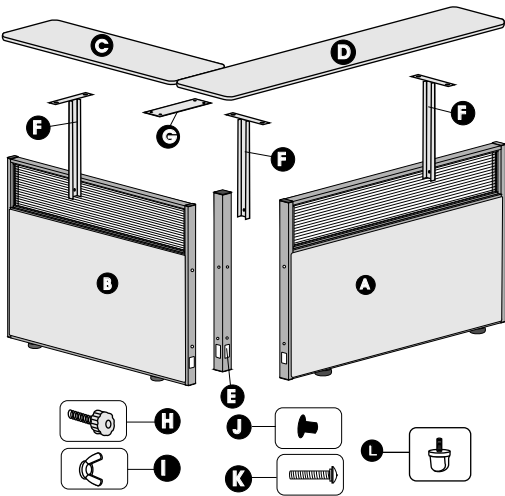
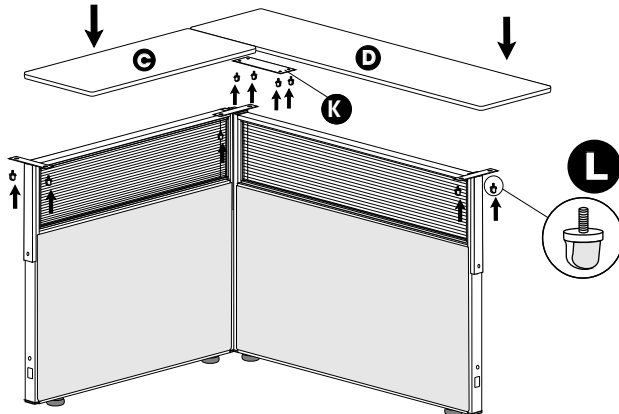


2



Remove panels, itself between two people to facilitate the join.

3

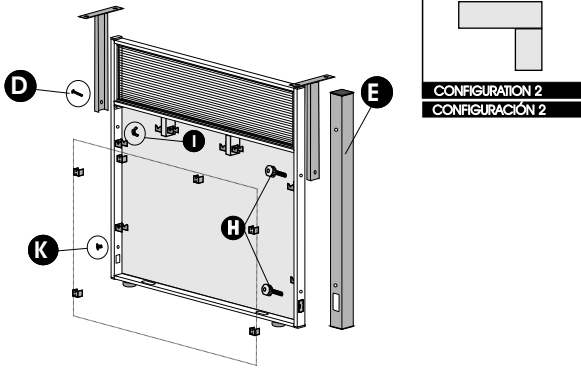


- A POLY PANEL 48 x 41 in.....(1 PC)
- B POLY PANEL 37 X 41 in.....(1 PC)
- C TOP 34 1/2 X 14 in.....(1 PC)
- D TOP 59 X 14 in.....(1 PC)
- E POST.....(1 PC)
- F SUPPORT.....(1 PC)
- G SECURITY PLATE.....(1 PC)
- H GOATEE 5/16 X 1 1/2 in.....(4 PCS)
- I WING NUT 5/16in.....(6PCS)
- J CORK 5/8 in.....(4 PCS)
- K SCREW 1 1/2 in.....(4 PCS)
- L SAFETY KNOB 14.6mm.....(9 PCS)

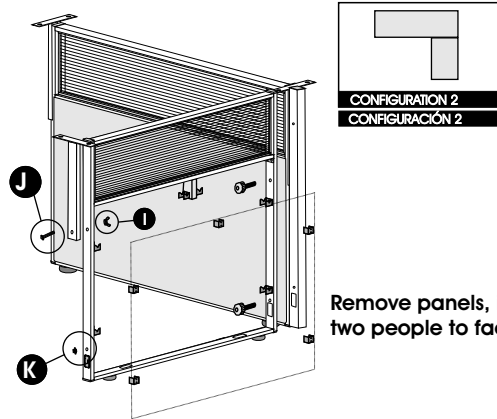
- A MAMPARA CON POLICARBONATO DE 122 CMS X 104 CMS .....(1 PZA)
- B MAMPARA CON POLICARBONATO DE 94 CMS X 104 CMS .....(1 PZA)
- C CUBIERTA SUPERIOR DE 88 CMS X 35.5 CMS .....(1 PZA)
- D CUBIERTA SUPERIOR DE 150 CMS X 35.5 CMS .....(1 PZA)
- E POSTE PARA MAMPARAS.....(1 PZA)
- F SOPORTES.....(1 PZA)
- G SOLERA DE SEGURIDAD.....(1 PZA)
- H PERILLA 5/16 X 1 1/2 in.....(4 PZAS)
- I MARIPOSA DE 5/16in.....(6 PZAS)
- J TAPON DE 5/8in.....(4 PZAS)
- K TORNILLOS 1 1/2 in.....(4 PZAS)
- L REGATON DE SEGURIDAD 14.6MM.....(9 PZAS)

The accessory of panel are inside them

1

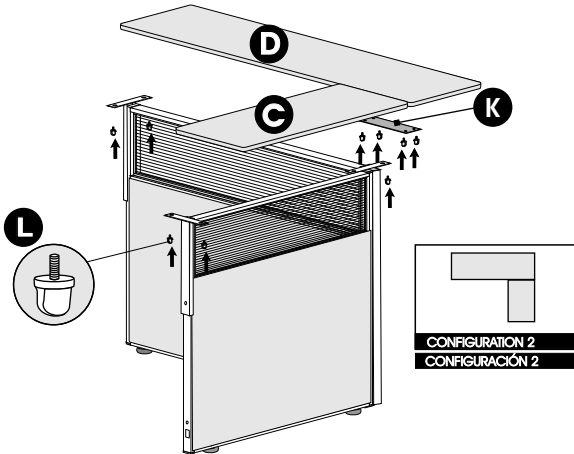


2



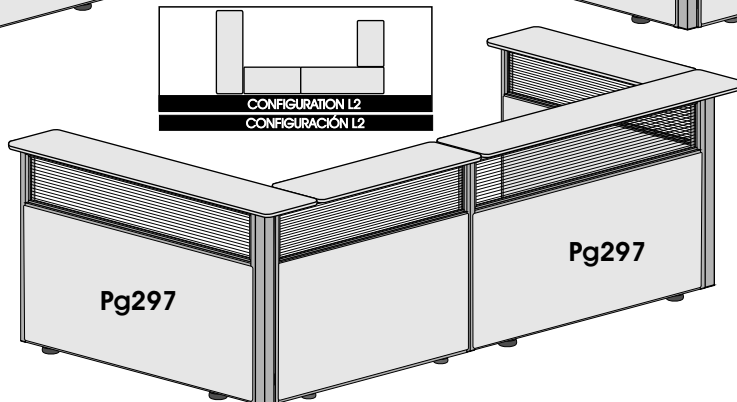
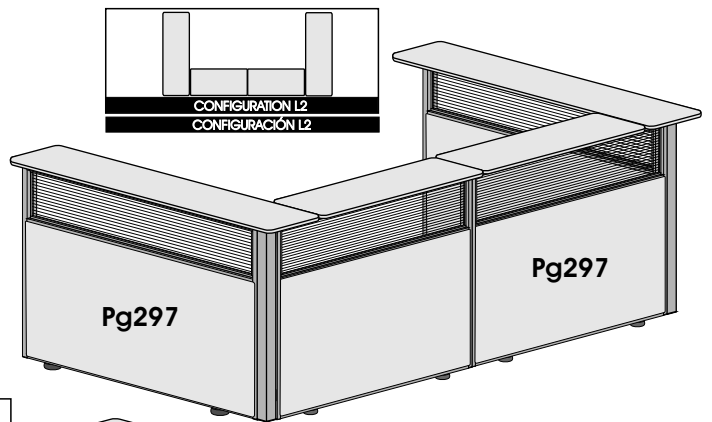
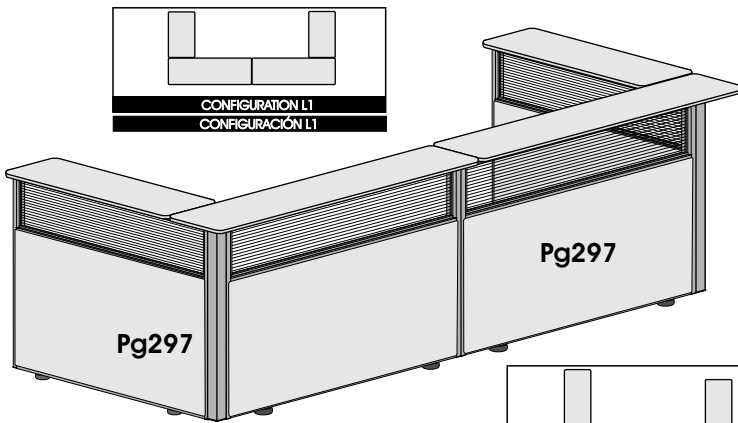
Remove panels, itself between two people to facilitate the join.

3



4

5



TO MAKE A "U" CONFIGURATION  
USE A TWO Pg297 MODULES