

Assembly Instructions



Tools Needed: Phillips Head Screwdriver
Please read all instructions before assembly.

Step 1: Mount both sides of Seat Cushion (A) onto the rear rib of the steel frame (C.1 or C.2), with special coated Ni-Lock Screws (D) and tighten with screwdriver.

Step 2: Place the Back Cushion onto the back rib on top of the side Steel Frame (C.1 or C.2), attach it with the Hex Screws (E) and tighten with screwdriver.

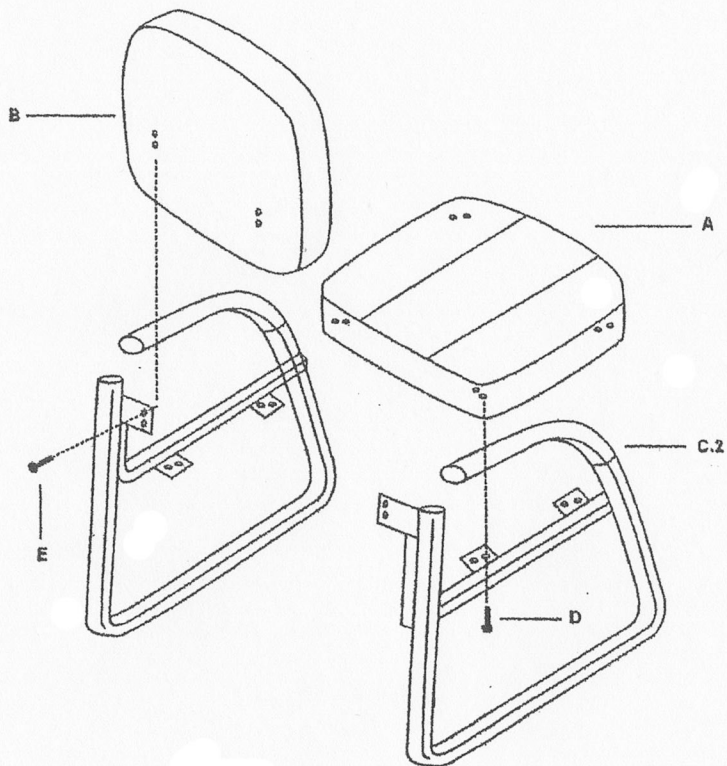
Assembly Notes:

During assembly, hand tighten screws. Only when all screws are in place, you may then tighten all screws completely.

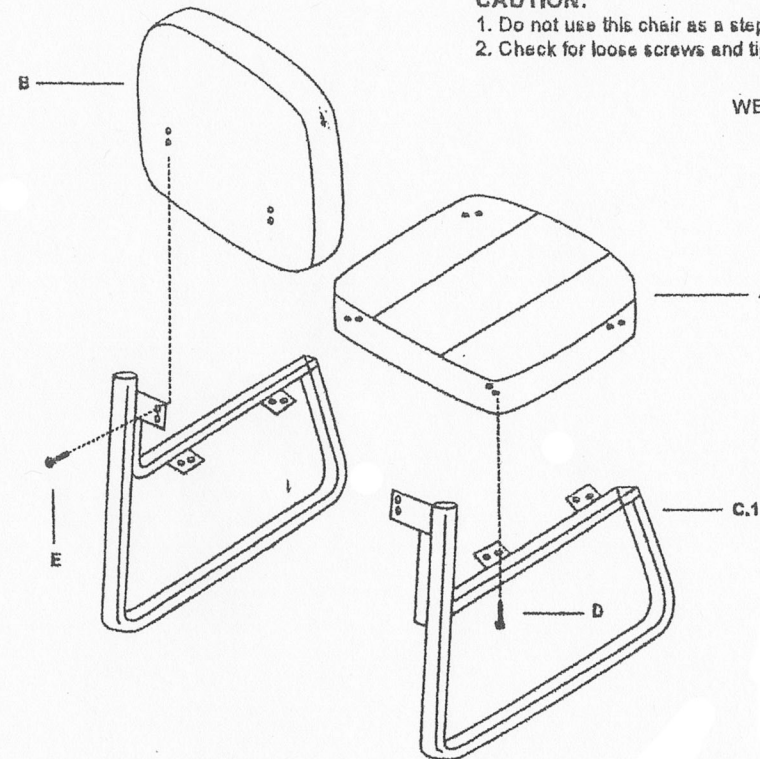
CAUTION:

1. Do not use this chair as a step ladder.
2. Check for loose screws and tighten them every 6 months.

407 / 407-VAM Arm version



409 / 409-VAM Armless version



WEIGHT CAPACITY: 400 lbs.

ofm^U_Z
Furniture For The Real Office™

Holly Springs, NC, USA
800-520-7471 (voice)
919-303-6388 (voice)
919-362-4765 (fax)
support@ofminc.com
www.ofminc.com