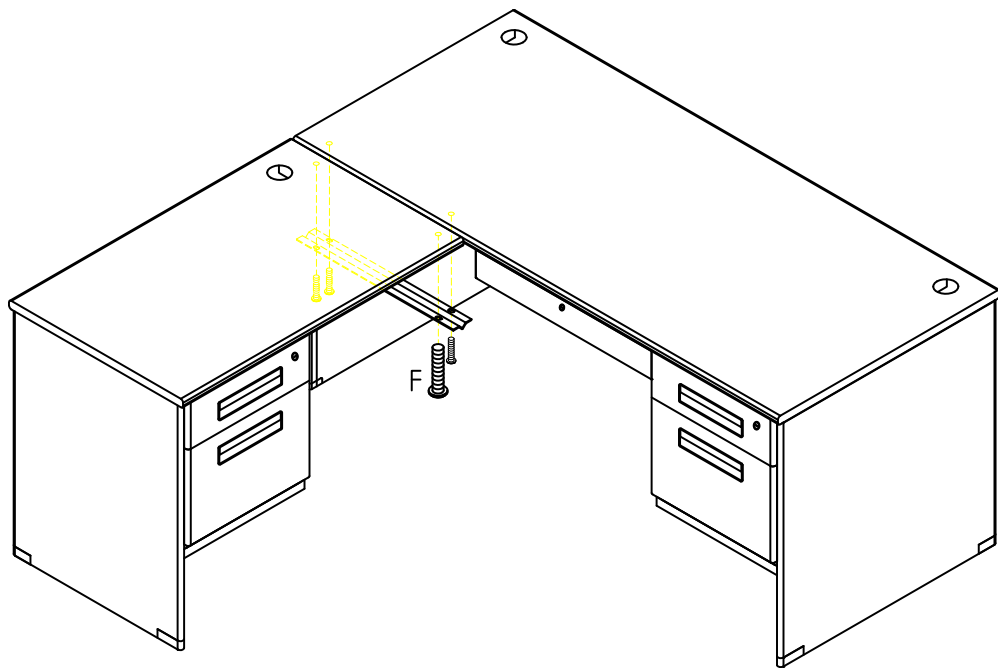
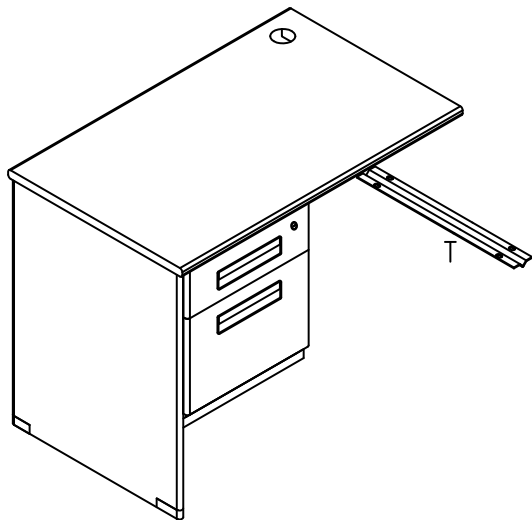
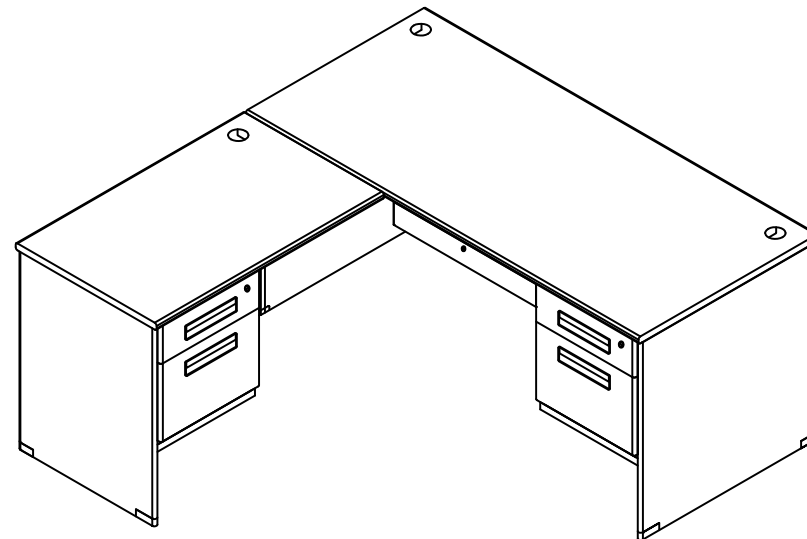


8



# Operation Instructions for the product

---



77366 DESK

---

# Matters Needing Attention in Use

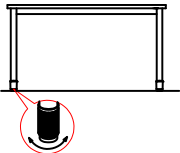
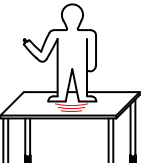
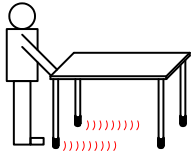
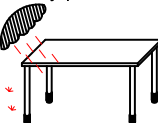
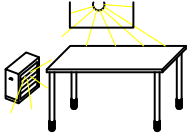

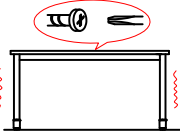


## Warning

- Professional personnel should be entrusted to dispose the waste.
- If it is burned down , poisonous gases would be produced.

**Warning** If the matters mentioned are not followed , accidents of death or serious injury would happen .

**Caution** If the matters mentioned are not followed , injury or losses of articles would happen .

## Caution

<p>●Regulating the adjuster , the panel should be kept horizontal .</p> 	<p>●Do not stand and place heavy articles on the panel .</p> 	<p>●When handled , do not pull or push .</p> 
<p>●The product is used indoors . Do not use it outdoor or where there is water , and in extremely damp or dry places .</p> 	<p>●Direct sunshine or very hot articles such as stoves should be kept clear of .</p> 	<p>●Do not place very hot articles on the panel .</p> 
<p>●The bolts or screws should be fastened again , if they are loosened and click is produced .</p> 	<p>●Do not dismantle or remake the product , otherwise failure and damage would be resulted .</p> 	<p>●When removing dirt , cloth with high adsorption must be used . For heavy stains , diluted neutral detergents should be used.</p> <p>●Do not used solvents of alcohol series of diluents , ground powder , chemicals , etc.</p> 

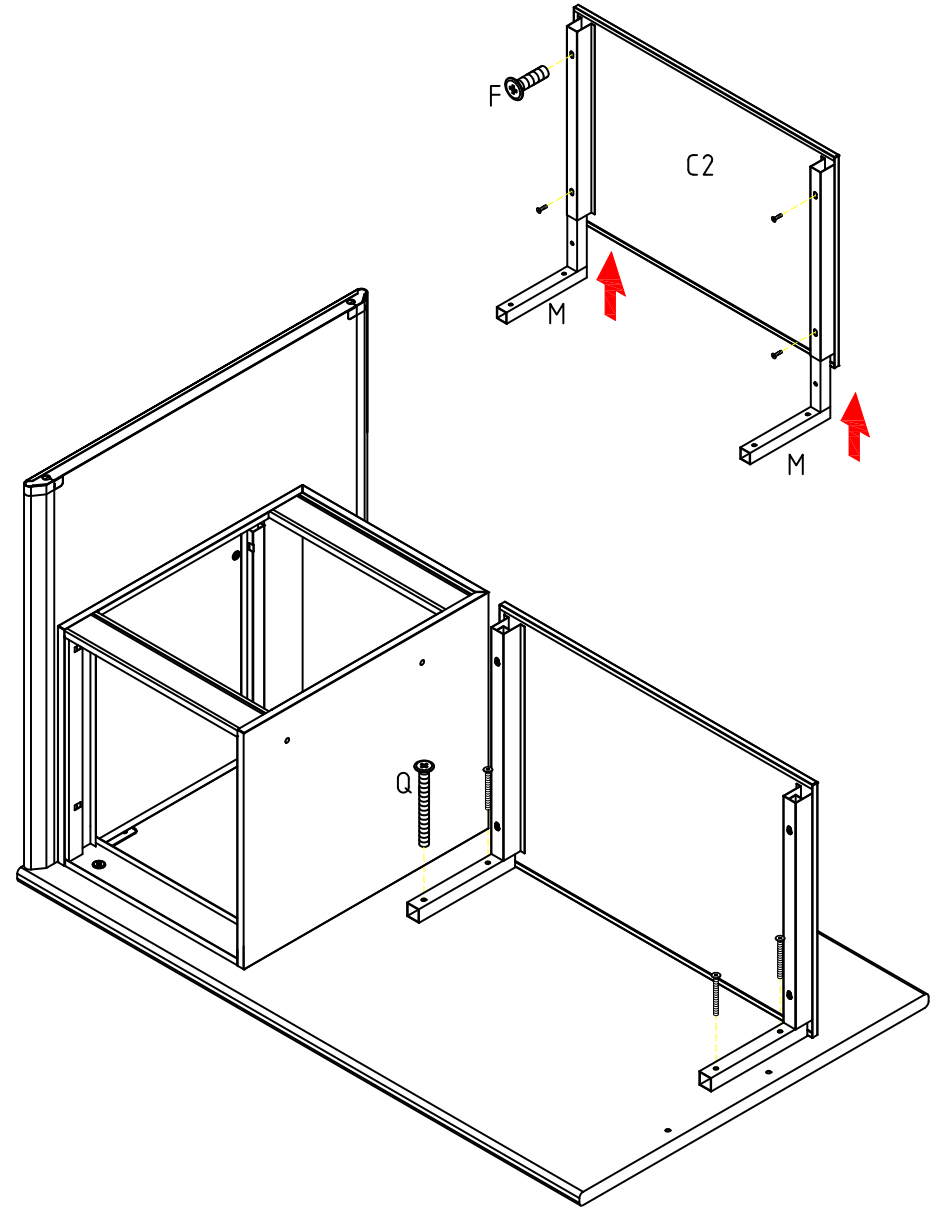
### Inspection card

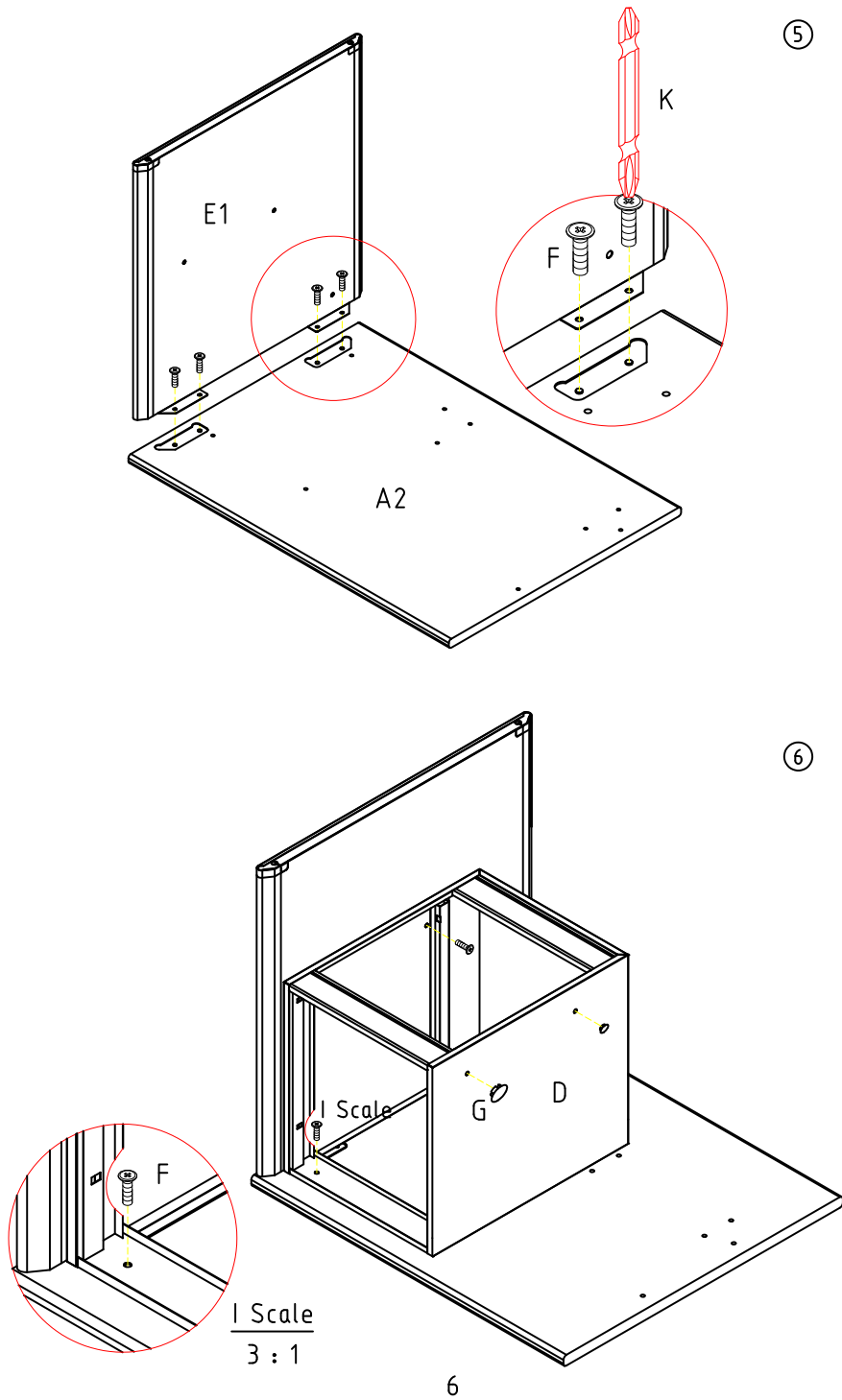
Name of the product: \_\_\_\_\_

Serial No. of making: \_\_\_\_\_

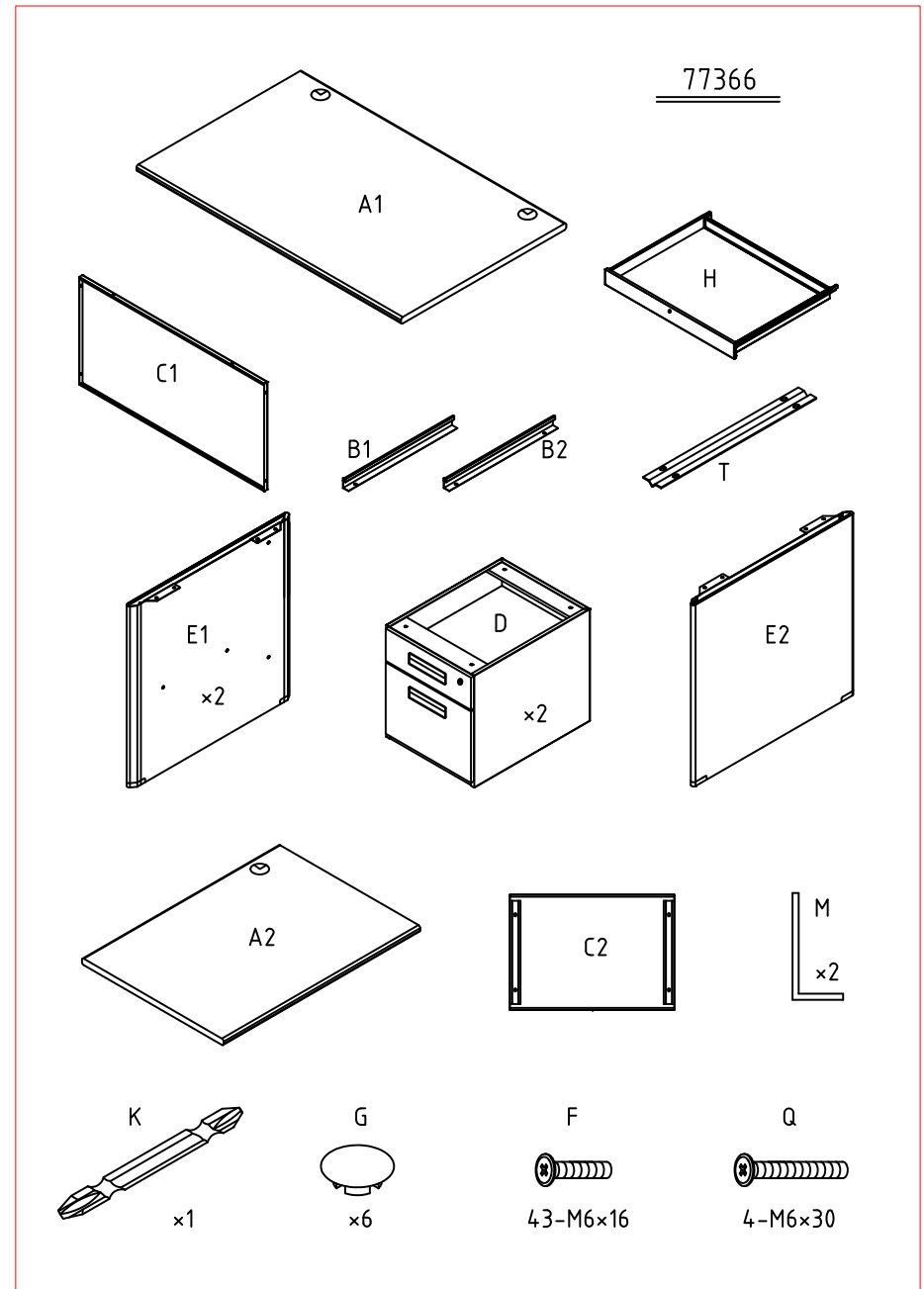
Name of the inspector: \_\_\_\_\_

Read the matters needing attention before using it . Moreover , never tear off the edge-sealing stripe on the surface of the panel .

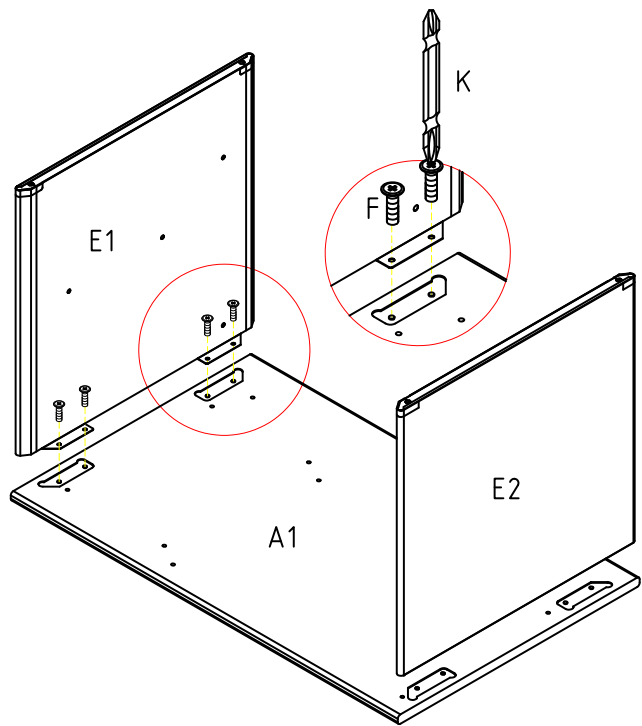




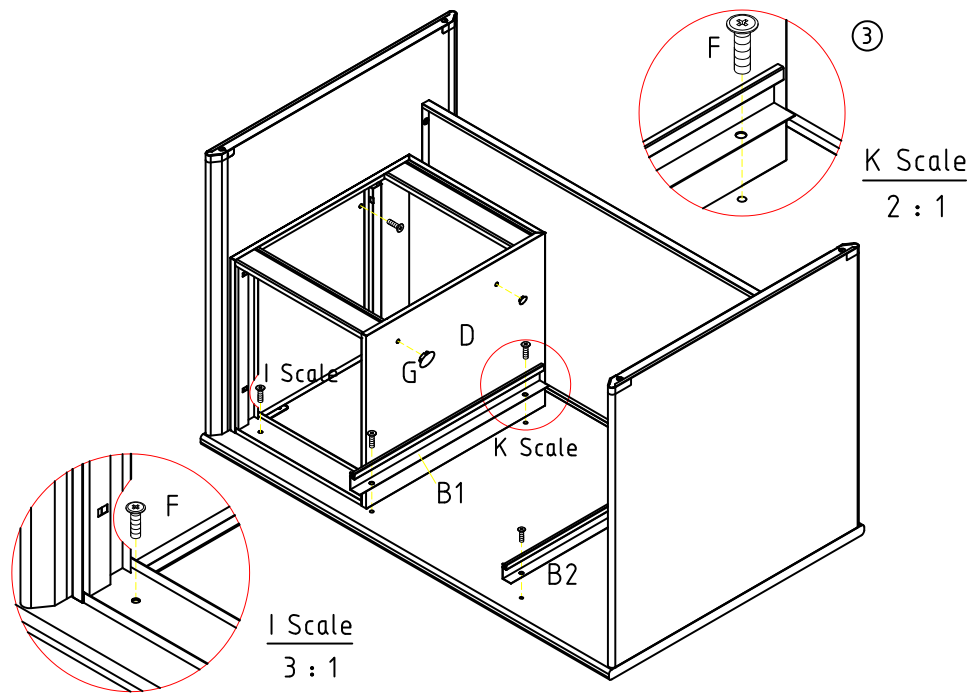
## Method of Assembly



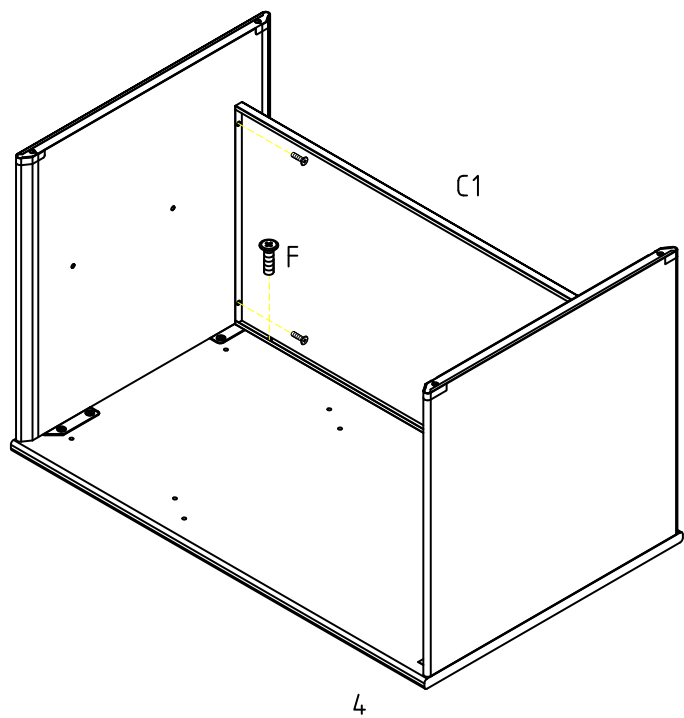
- K  
x1
- G  
x6
- F  
4-3-M6x16
- Q  
4-M6x30



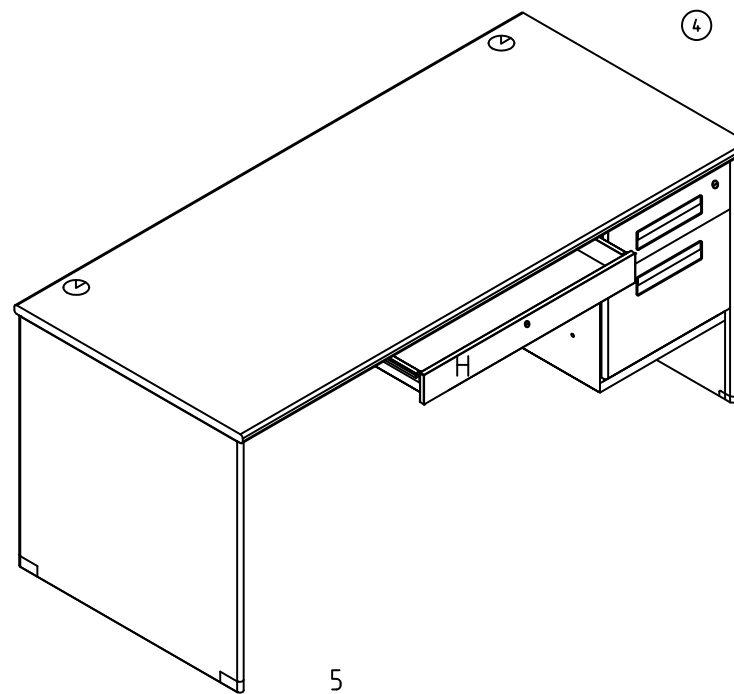
①



②



4



5