

Matters Needing Attention in Use

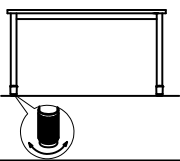
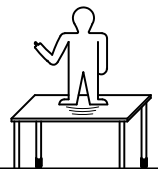
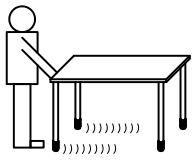
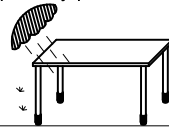
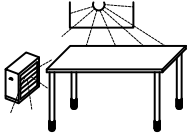

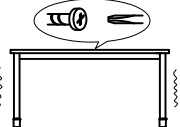

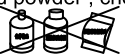
Warning

- Professional personnel should be entrusted to dispose the waste.
- If it is burned down , poisonous gases would be produced.

Caution

Warning If the matters mentioned are not followed , accidents of death or serious injury would happen .

Caution If the matters mentioned are not followed , injury or losses of articles would happen .

<p>●Regulating the adjuster , the panel should be kept horizontal .</p> 	<p>●Do not stand and place heavy articles on the panel .</p> 	<p>●When handled , do not pull or push .</p> 
<p>●The product is used indoors . Do not use it outdoor or where there is water , and in extremely damp or dry places .</p> 	<p>●Direct sunshine or very hot articles such as stoves should be kept clear of .</p> 	<p>●Do not place very hot articles on the panel .</p> 
<p>●The bolts or screws should be fastened again , if they are loosened and click is produced .</p> 	<p>●Do not dismantle or remake the product , otherwise failure and damage would be resulted .</p> 	<p>●When removing dirt , cloth with high adsorption must be used . For heavy stains , diluted neutral detergents should be used.</p> <p>●Do not used solvents of alcohol series of diluents , ground powder , chemicals , etc.</p> 

Inspection card

Name of the product: _____

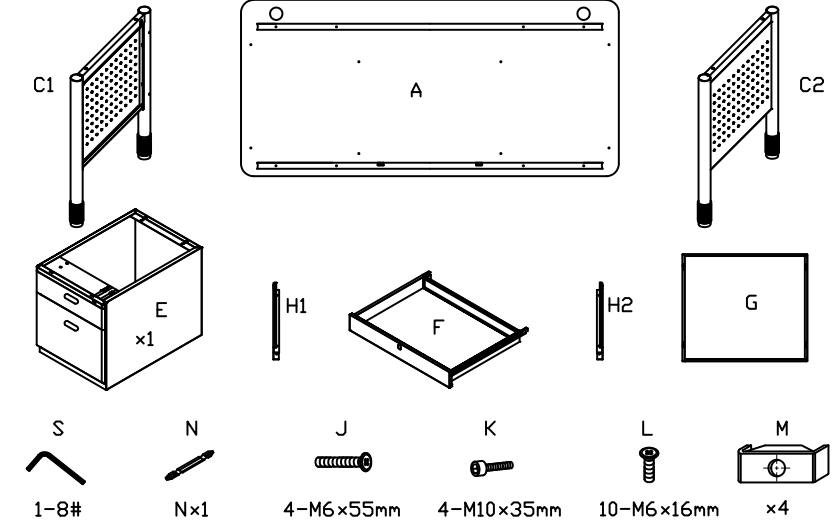
Serial No. of making: _____

Name of the inspector: _____

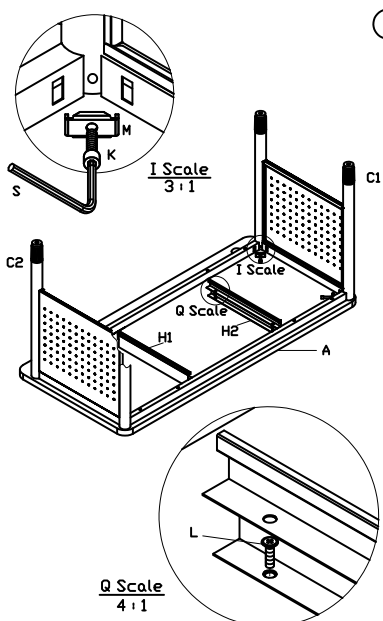
Read the matters needing attention before using it . Moreover , never tear off the edge-sealing stripe on the surface of the panel .

Method of Assembly

66242/66348



1



2

