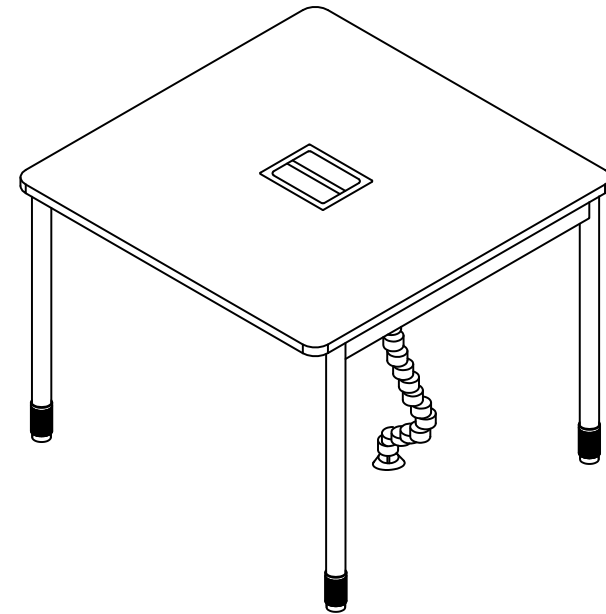
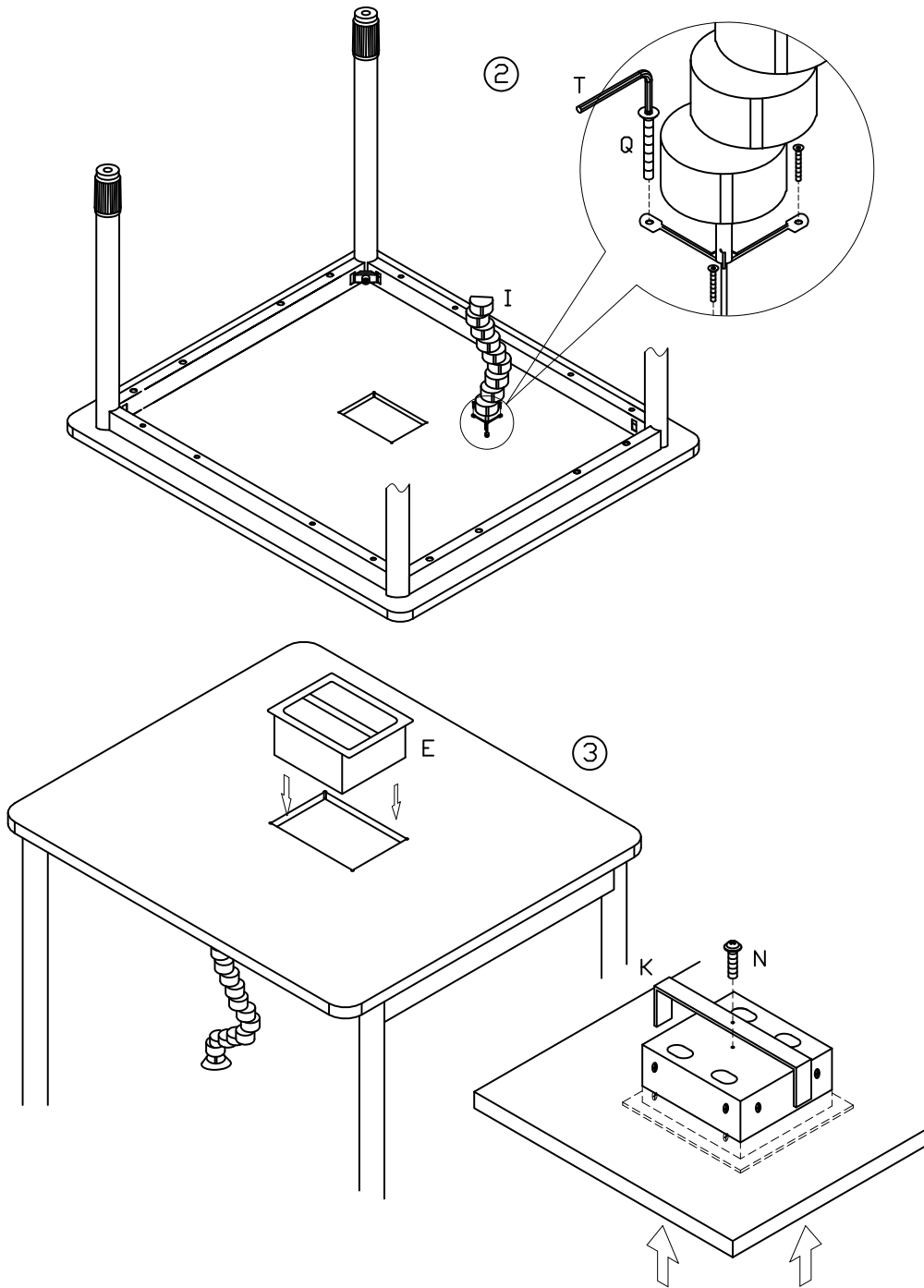


Operation Instructions for the product



4

1

66248 DESK

Matters Needing Attention in Use

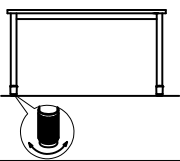
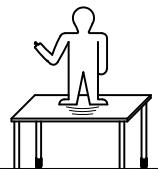
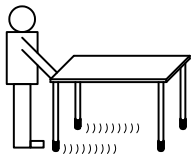
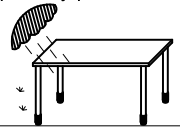
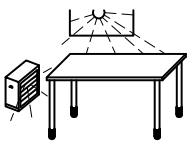

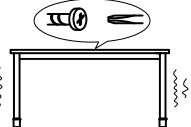

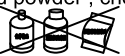
Warning

- Professional personnel should be entrusted to dispose the waste.
- If it is burned down , poisonous gases would be produced.

Caution

Warning If the matters mentioned are not followed , accidents of death or serious injury would happen .

Caution If the matters mentioned are not followed , injury or losses of articles would happen .

| | | |
|---|---|--|
| <p>●Regulating the adjuster , the panel should be kept horizontal .</p>  | <p>●Do not stand and place heavy articles on the panel .</p>  | <p>●When handled , do not pull or push .</p>  |
| <p>●The product is used indoors . Do not use it outdoor or where there is water , and in extremely damp or dry places .</p>  | <p>●Direct sunshine or very hot articles such as stoves should be kept clear of .</p>  | <p>●Do not place very hot articles on the panel .</p>  |
| <p>●The bolts or screws should be fastened again , if they are loosened and click is produced .</p>  | <p>●Do not dismantle or remake the product , otherwise failure and damage would be resulted .</p>  | <p>●When removing dirt , cloth with high adsorption must be used . For heavy stains , diluted neutral detergents should be used.</p> <p>●Do not used solvents of alcohol series of diluents , ground powder , chemicals , etc.</p>  |

Inspection card

Name of the product: _____

Serial No. of making: _____

Name of the inspector: _____

Read the matters needing attention before using it . Moreover , never tear off the edge-sealing stripe on the surface of the panel .

Method of Assembly

66248

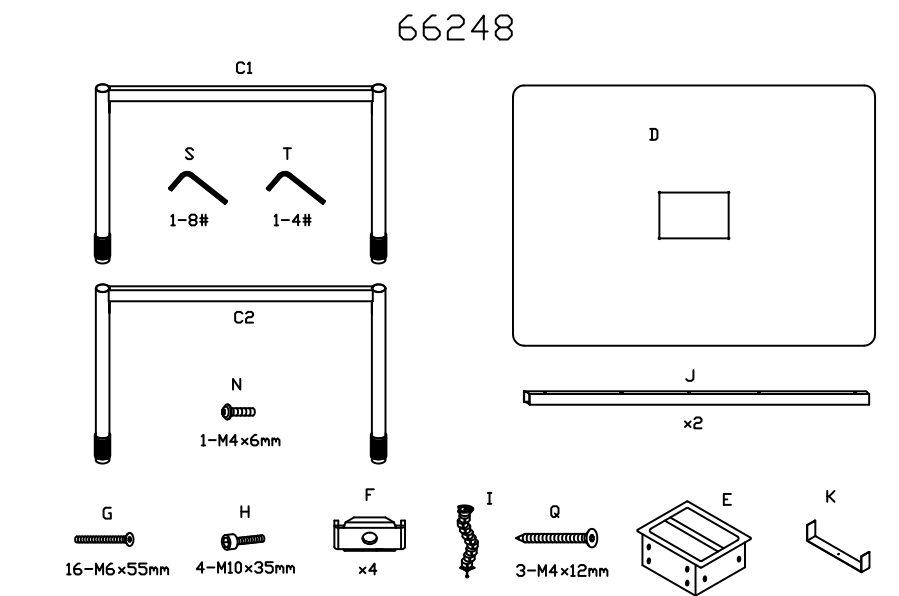


Diagram illustrating the assembly steps for the product (66248). The main assembly view shows the frame (C1, C2) and panel (D) being joined. Key components and their quantities are listed:

- S: 1-8#
- T: 1-4#
- N: 1-M4x6mm
- G: 16-M6x55mm
- H: 4-M10x35mm
- F: x4
- I: (Washer)
- Q: 3-M4x12mm
- E: (Bracket)
- K: (Bracket)
- J: x2
- A: (Corner Connector)
- B: (Panel Edge)

Assembly steps are shown in a large diagram with callouts:

- Step 1: Attaching the corner connector (A) to the frame (C1, C2) and panel (D) using bolts (G) and washers (I).
- Step 2: Attaching the panel edge (B) to the frame using bolts (G) and washers (I).
- Step 3: Attaching the corner connector (A) to the frame (C1, C2) and panel (D) using bolts (H) and washers (I).
- Step 4: Attaching the corner connector (A) to the frame (C1, C2) and panel (D) using bolts (Q) and washers (I).

Enlarged views of the corner connections are provided with magnification factors: A (4:1) and B (3:1).