



161 traditions trail
 Holly Springs, NC 27540
 Phone: 800-520-7471
 Fax: 919-362-4765
 Web Site: www.ofminc.com
 E-mail: ofm@ofminc.com

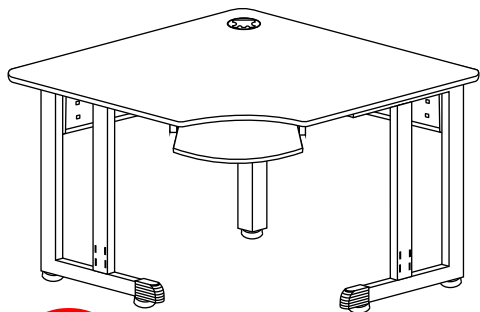
ASSEMBLY INSTRUCTIONS

INSTRUCTIVO DE ENSAMBLE

MOD.55246

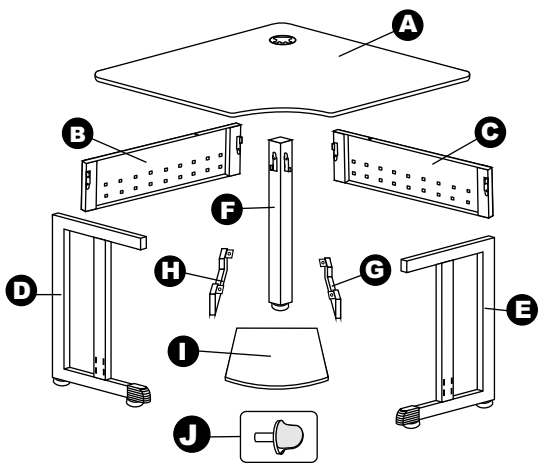
CORNER

ESQUINERO



EASY ASSEMBLY
WITHOUT TOOLS

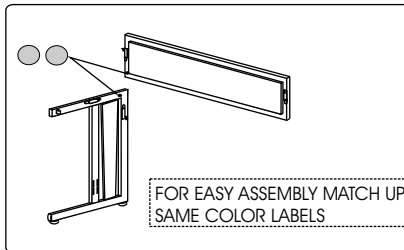
A T 6 min
ASSEMBLY TIME



- A** TOP SHELF..... (1 Pc)
- B** SIDE FRAME (LEFT)..... (1 Pc)
- C** SIDE FRAME (RIGHT)..... (1 Pc)
- D** SIDE SHELF (LEFT)..... (1 Pc)
- E** SIDE SHELF (RIGHT)..... (1 Pc)
- F** POST..... (1 Pc)
- G** RUNNER RIGHT..... (1 Pc)
- H** RUNNER LEFT..... (1 Pc)
- I** WOOD FOR KEYBOARD..... (1 Pc)
- J** SAFETY KNOB 14.6 mm..... (10 Pcs)

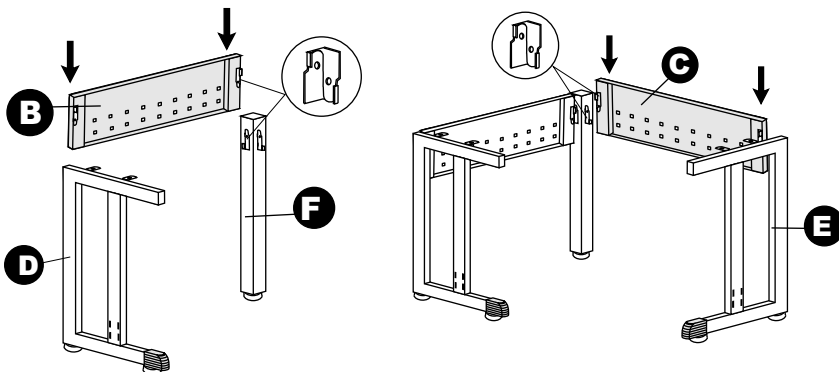
- A** CUBIERTA SUPERIOR..... (1 Pza)
- B** MARCO LATERAL IZQUIERDO..... (1 Pza)
- C** MARCO LATERAL DERECHO..... (1 Pza)
- D** LATERAL IZQUIERDO..... (1 Pza)
- E** LATERAL DERECHO..... (1 Pza)
- F** POSTE..... (1 Pza)
- G** CORREDERA DERECHA..... (1 Pza)
- H** CORREDERA IZQUIERDA..... (1 Pza)
- I** MADERA PARA EL TECLADO..... (1 Pza)
- J** REGATON DE SEGURIDAD 14.6mm. (10 Pzas)

LINEA ITALIA[®]



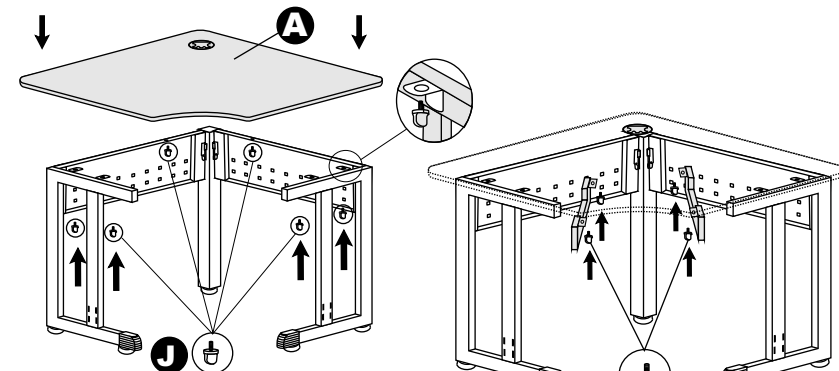
1

2



3

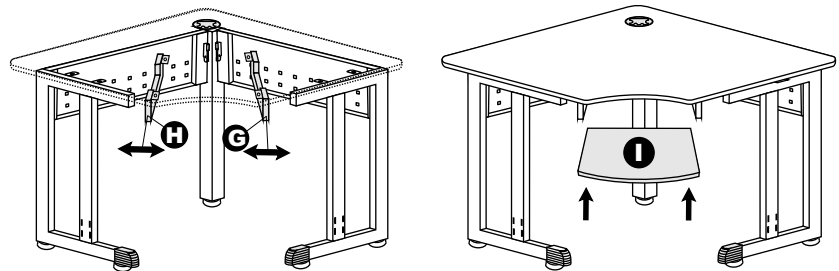
4



* TIGHTEN KNOBS PARTIALLY DURING ASSEMBLY TO FACILITATE JOINING. WHEN FULLY ASSEMBLED, TIGHTEN KNOBS COMPLETELY. *

5

6



* ATTACH THE TRACKS FIRST UNTIL THE SHELF SLIDES CORRECTLY, THEN TIGHTEN ALL KNOBS *

IN ORDER TO CLEAR

