

LEUCOS® USA

INSTALLATION INSTRUCTIONS

NUBIA P O 38 - NUBIA P O 63

NUBIA PO 38



NUBIA PO 63



A1 Enclosed



One installer



Save instructions

Revised
22 - 01 - 2004

NOTE:- Always make sure the mains power has been switched off before carrying out any operations.

- Take great care to avoid scratching or chipping the glass when carrying out the operations below.

1. Slip the small bolt on the wire and run the electric wires through the plates "D" and "C".
2. Attach the plate "C" to the box "B".
3. Join the electric wires.
4. Fix the plate "D" and "C".
5. Attach plate "A" to plate "D" and tightly screw the bolt "G".
6. Place the glass shade and fix it with the two brackets "J".
7. Fit the bulbs and switch the main power back on.


NUBIA PO38 Halogen : Insert bulb inside double ended socket, then place the two half safety glass pyrex tubes "Y" in order to be coupled inside the opposite collars of rings "X" as shown. Clamp the two parts by pushing the two release springs "Z" as shown in **Fig.2**.

NOTE: IF THE LAMP CONTAINMENT BARRIER "Y" BREAKS, IT MUST BE REPLACED BEFORE USING THE LAMP AGAIN

NUBIA P O 38


max 2x60W 120V - E26 Type A-19 MEDIUM BASE 

max 2x9W 120V - FLG23 Type TWIN TUBE 

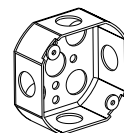
max 1x150W 120V - Type T3 RSC (SHORT). 

NUBIA P O 63

max 2x100W 120V - E26 Type A-19 

max 2x13W 120V - FL G24 d2 Type QUAD TUBE 

CIRCUIT DIAGRAM:



WHITE NEUTRAL

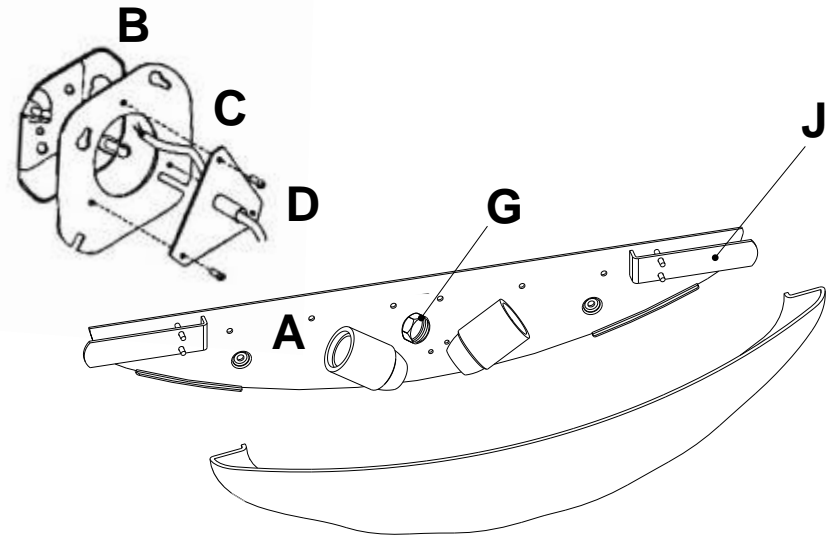
BLACK PHASE

GREEN-YELLOW
BARE COPPER WIRE

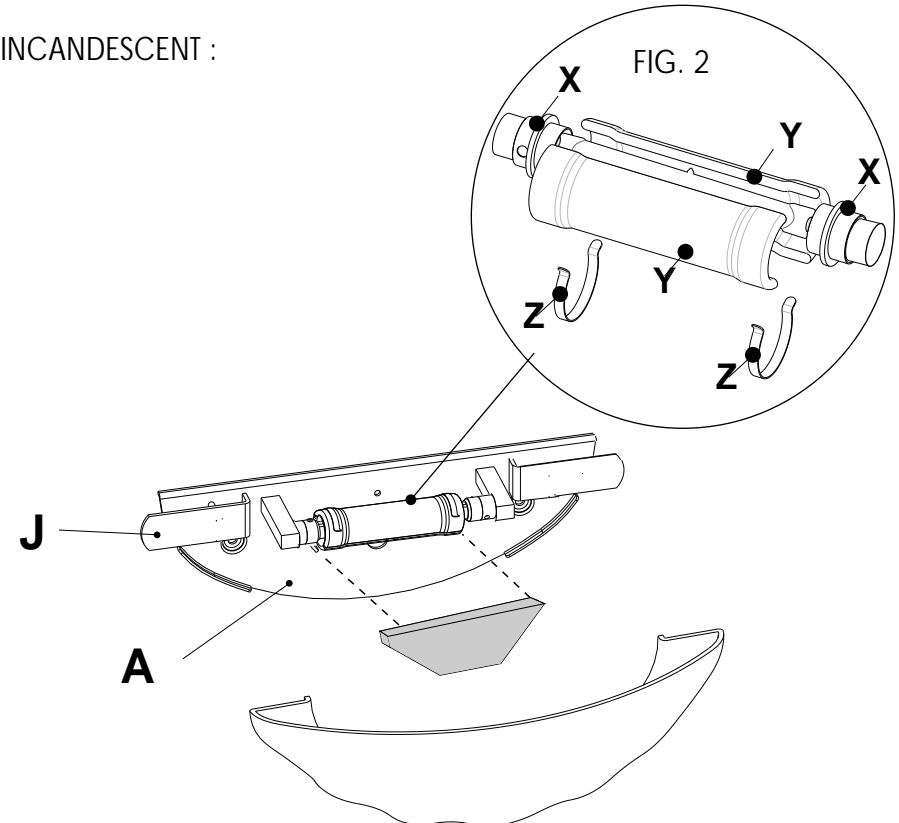
Ground 

MOUNTS TO STANDARD JUNCTION BOX

For additional information please contact your local dealer or **LEUCOS USA** at: tel. (732) 225-0010 fax (732) 225-0250



INCANDESCENT :



HALOGEN :