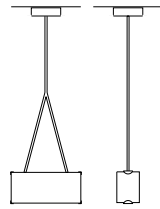


L E U C O S[®]

INSTALLATION INSTRUCTION - for U.S.A. MARKET

VITTORIA S



A1 Enclosed



One installer

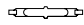


Save instructions

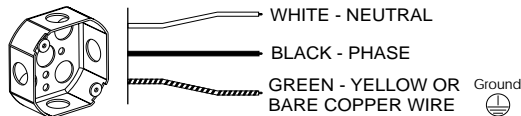
Revised
15. Sep. 2003

**BEFORE BEGINNING INSTALLATION, ENSURE THAT THE POWER SUPPLY IS SWITCHED OFF.
HANDLE WITH CARE IN ORDER NOT TO SCRATCH OR SPLINTER THE GLASS.**

- 1)-Install metal "A" to the junction-box **ILL.1**
 - 2)-Make the wire connections.
 - 3)-Secure the metal canopy "B" to the backplate "A" by securing it with the side screw "P" provided. **ILL. 1**
 - 4)-Insert bulb inside double ended socket, then place the two half safety glass pyrex tubes "Y" in order to be coupled inside the opposite collars of rings "X" as shown. Clamp the two parts by pushing the two release springs "Z" as shown in **ILL.3**.
- NOTE: IF THE LAMP CONTAINMENT BARRIER "Y" BREAKS, IT MUST BE REPLACED BEFORE USING THE LAMP AGAIN**
- 5)-Center the lamp shield over the spring as shown.
 - 6)-Place glass diffuser "C" inside the two upper springs "S" and the lower adjustable springs "R" as shown in **ILL. 2**
 - 7)-Tighten carefully the two metal rods "Q" in order to secure glass diffuser.
 - 8)-Restore the main power.

Bulb: max **1x200W** 120V T3 RSC halogen 

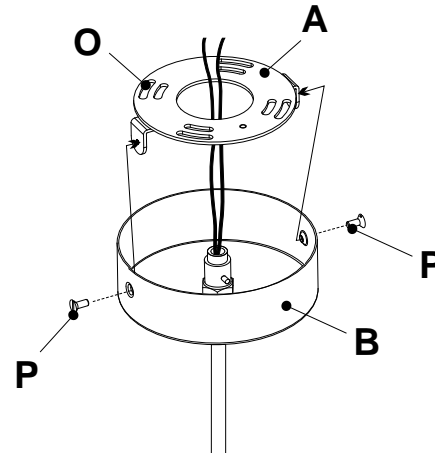
CIRCUIT DIAGRAM:



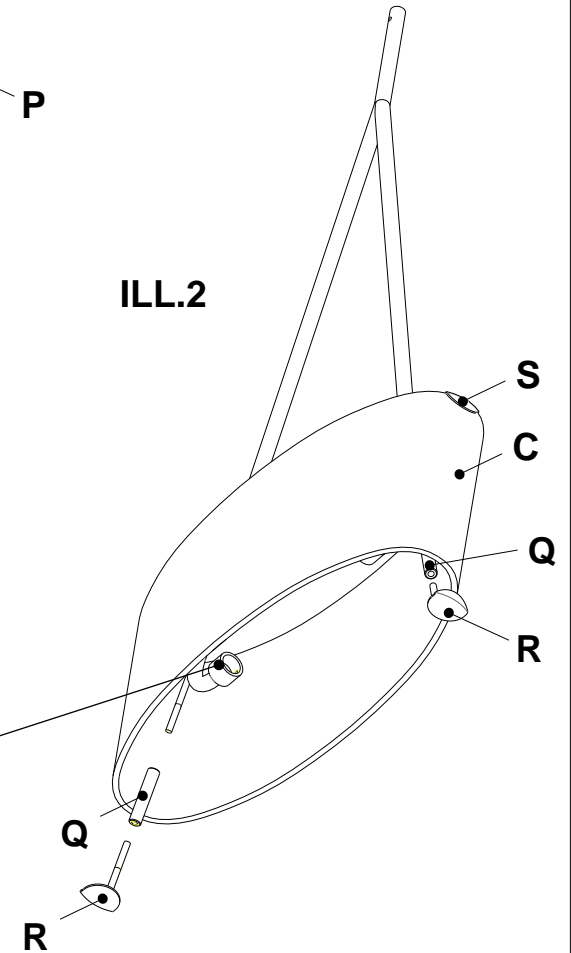
MOUNTS TO STANDARD JUNCTION BOX

For additional information please contact your local dealer or **LEUCOS USA** at:
tel. (732) 225-0010 fax (732) 225-0250

ILL. 1



ILL.2



ILL. 3

