

## SNAP IN

DEVON 2

HERA 2

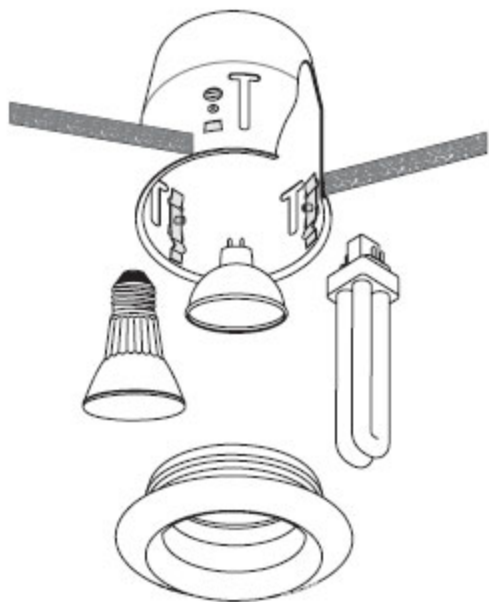
IGEA 2

ISIDE 2

MIRA 2

SUN

VAN 2



- 1) Locate the glass retaining clips in the housing, pull down and rock at that location. Pull glass down from housing.
- 2) Replace lamp.
- 3) Reinstall glass trim by reversing the above procedure.

