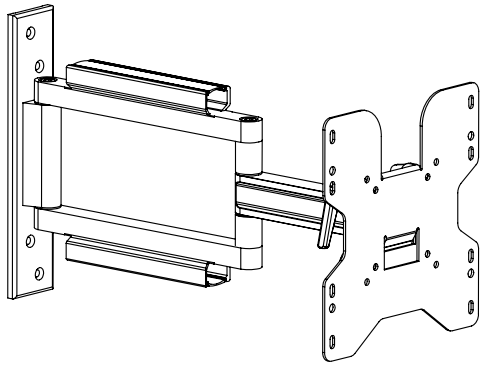


VM-380 Cantilever Wall Mount Installation











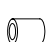



Designed for 26"-42" flat panel TV
 Maximum weight capacity: 36.4kg (80 lbs.)
 VESA compliant: 100/100x200/200mm mounting holes
 Integrated cable management

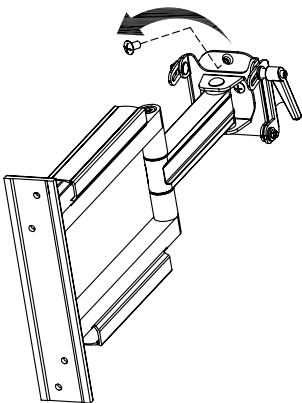
Important Notes

- This product should only be installed by someone of good mechanical aptitude, has experience with basic building construction, and fully understands these instructions.
- Make sure that the supporting surface will safely support the combined load of the equipment and all attached hardware and components.
- Tighten screws firmly, but do not over tighten. Over tightening can damage the items, greatly reducing their holding power.

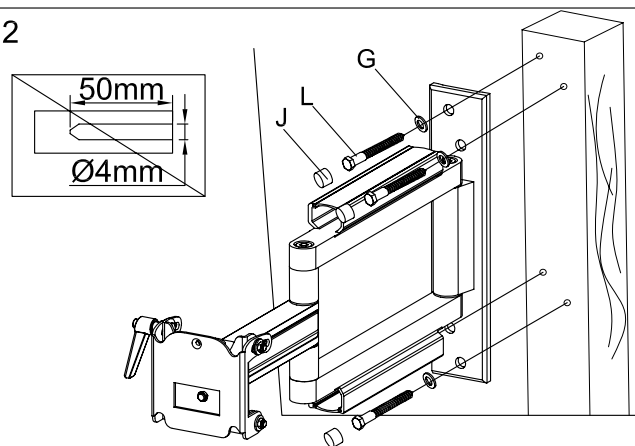
Part List:

A-  (5mm)-1	E-  (M6x20)-4	I-  (Ø10xØ5.2x1.0)-4
B-  (M4x10)-4	F-  (M6x30)-4	J-  -4
C-  (M4x20)-4	G-  (Ø16xØ8x1.6)-4	K-  (Ø10xØ7x60)-4
D-  (M6x12)-4	H-  (Ø8xØ6x11)-4	L-  (7x80)-4

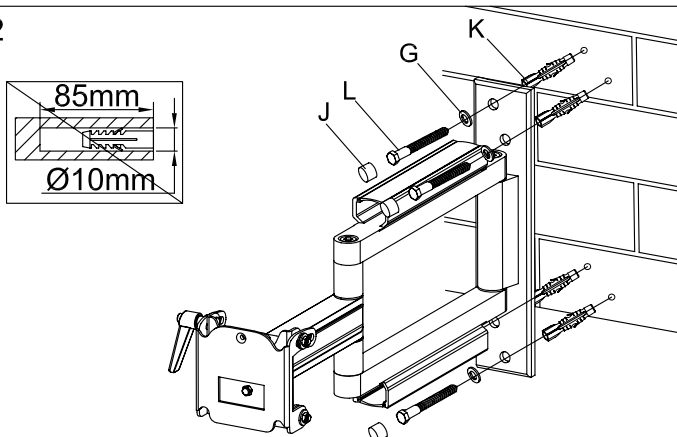
1



2

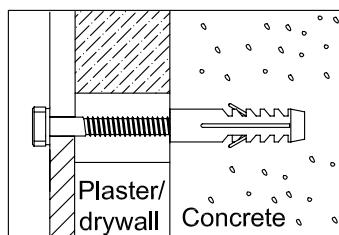


2

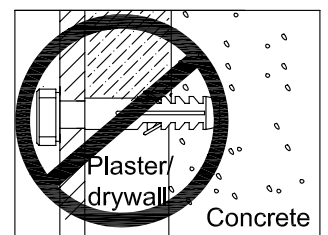


Warning

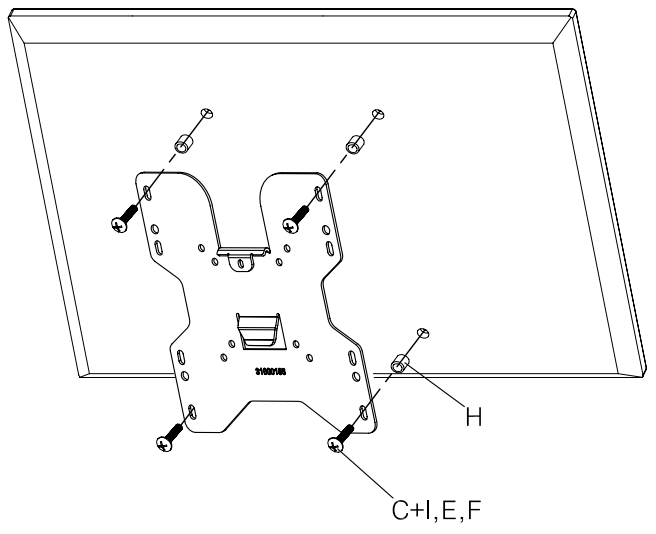
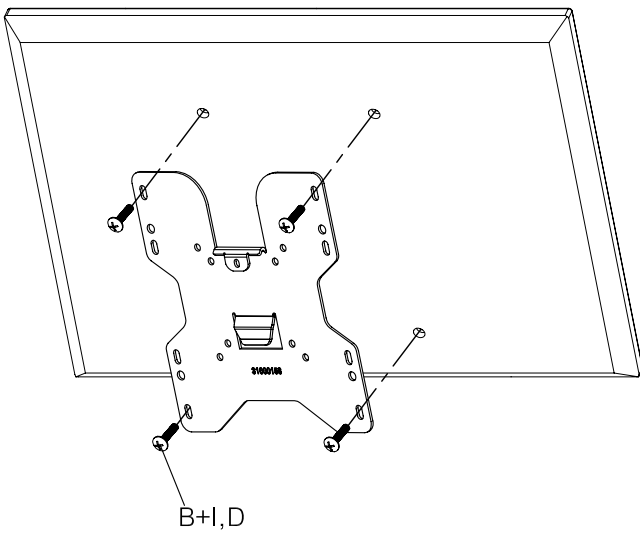
Correct



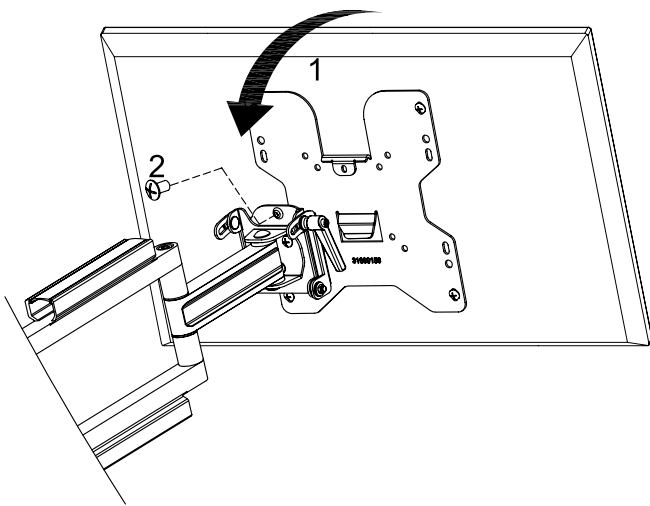
Incorrect



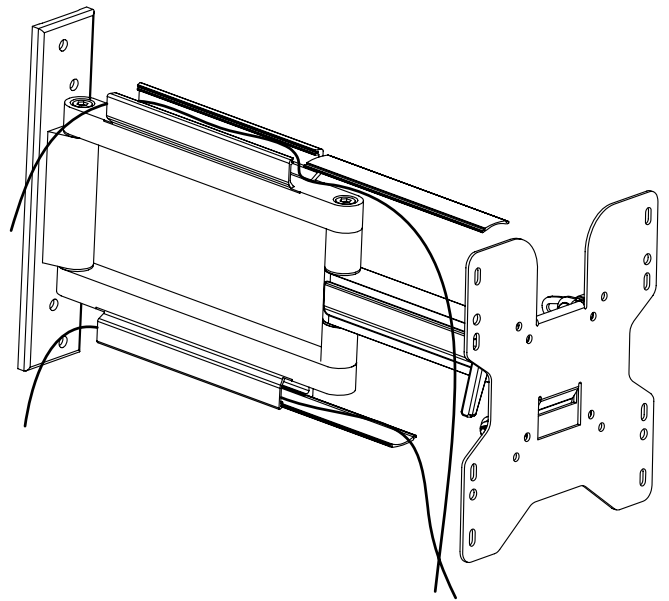
3



4



5



6

