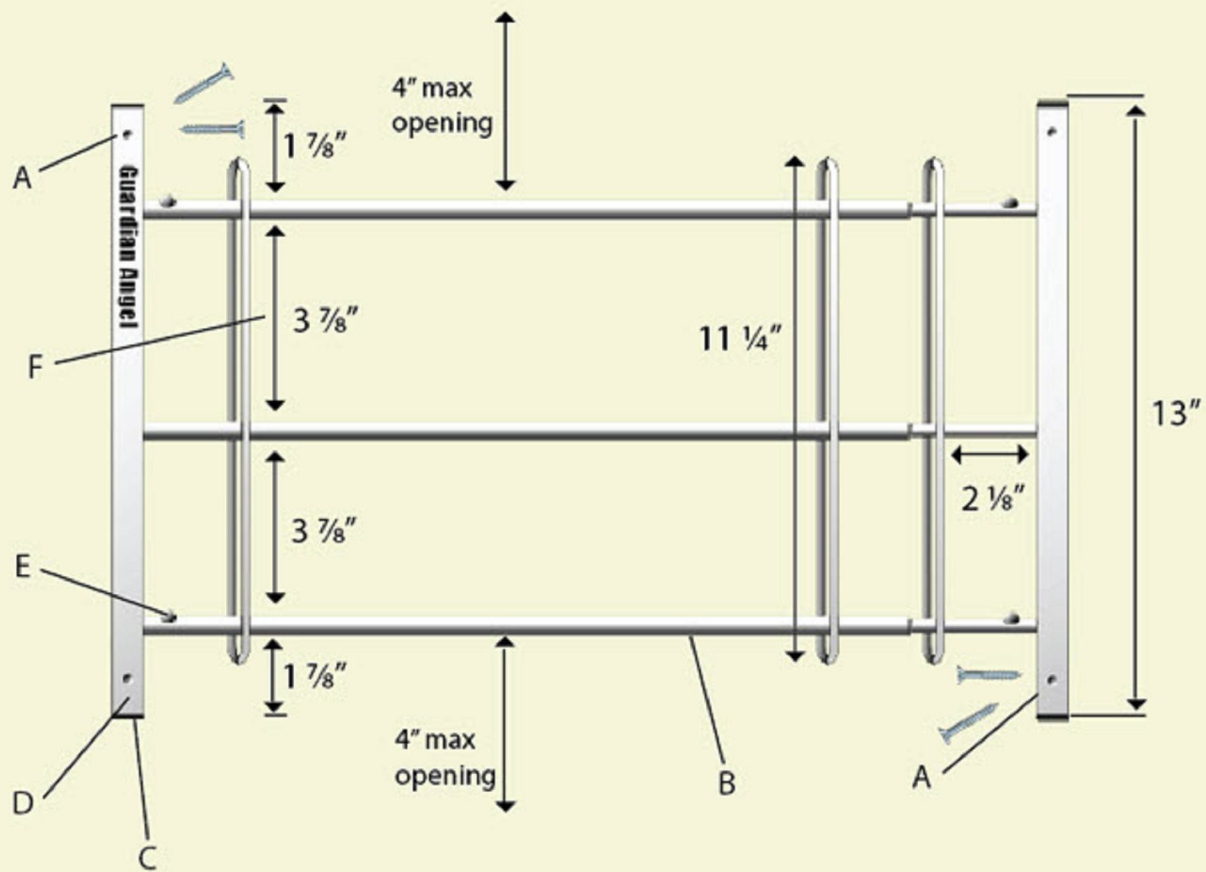


## 3 Bar Guard



- A. End posts attach to window frame or molding with screws (4 screws per guard).
- B. Sliding bars expand to fit various heights or widths.
- C. End posts can be stacked or placed adjacent to each other to cover extra wide or extra high openings.
- D. Each end post is 3/4" wide.
- E. Emergency release button (each guard has 4).
- F. Spacing between bars is less than 4 inches.