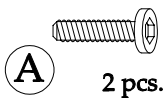
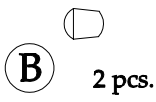


### Components and Hardware List

M5/16" x 1-3/4" Allen Head Bolt



#12.5\*11\*7m/m Wood Plug



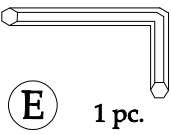
5/16" Spring Washer



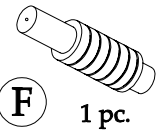
5/16" Flat Washer



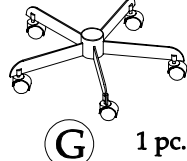
5mm Allen Wrench



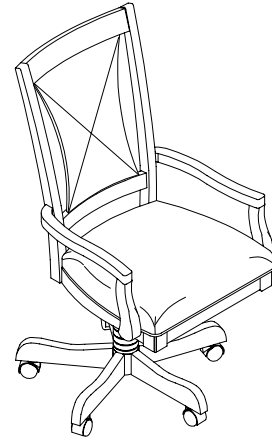
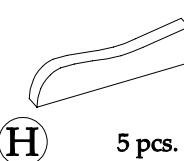
Lift Cylinder



Five Claw Base

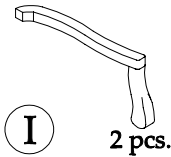


Feet block

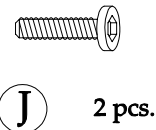


#61030 Desk Chair

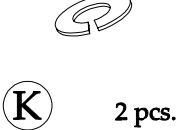
Chair Arm (Left and Right)



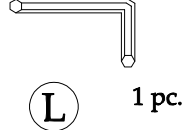
M1/4" x 1-1/4" Allen Head Bolt



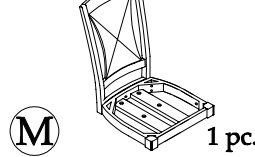
1/4" Spring Washer



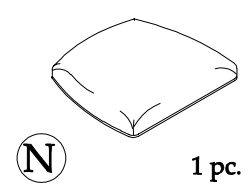
4mm Allen Wrench



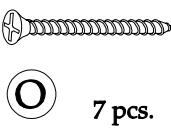
Seat Frame and Back Frame



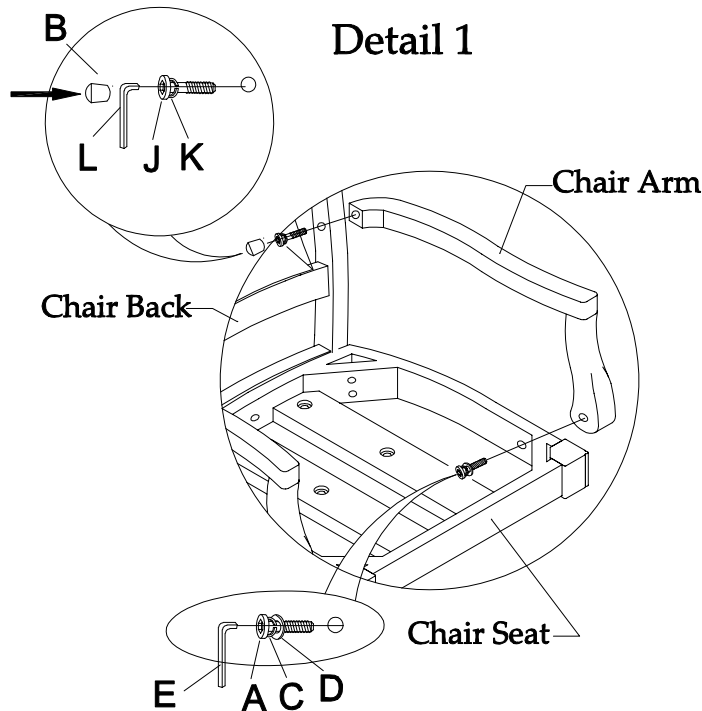
Seat Cushion

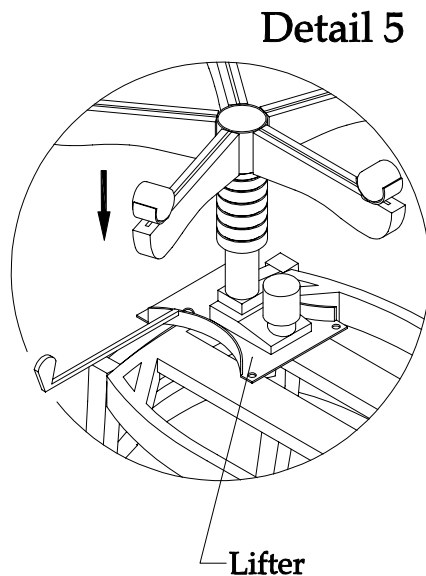
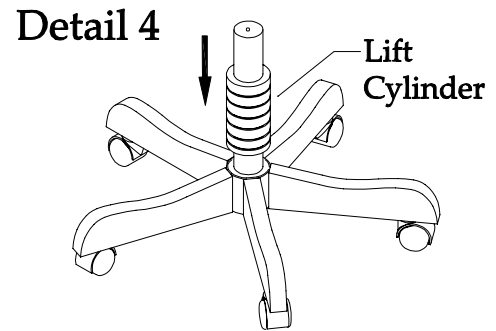
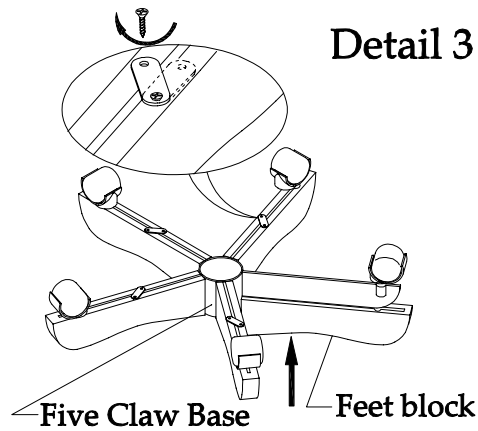
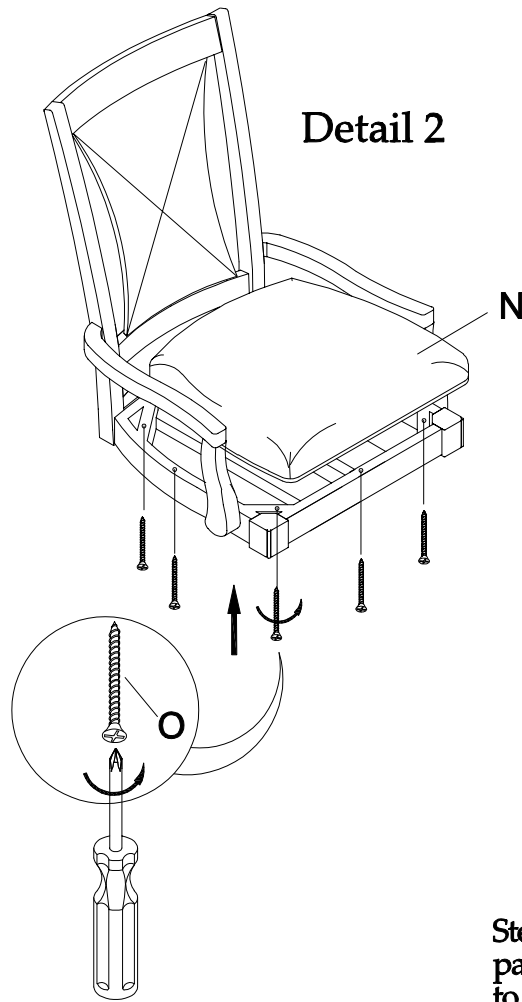


#8 x 1-1/2" Wood Screw



Be sure to check all packing material carefully for small parts, which may have come loose inside the carton during shipment. Separate and check all parts against the Components and Hardware List above.





**Step 1:** Place the Chair Seat Frame and Back Frame on a padded surface, and assemble the Chair Arm (Left and Right) to the Back and Seat (as shown in detail 1), using the Bolts and Washers as shown. Press the Wood Plugs into the bolt holes.

**Step 2:** Assemble the Chair Seat Cushion onto the Chair Seat (as shown in detail 2), using the Wood Screws as shown.

**Step 3:** Assemble the Feet Blocks to the top of the Five Claw Base (as shown in detail 3) and secure using the wood screws and your Phillips screwdriver. Place the chair base upright on the floor and assemble the Lift Cylinder onto the Five Claw Base (as shown in detail 4).

**Step 4:** Position the hole of the lift mechanism on top of the Lift Cylinder (as shown in detail 5).

**Note:** To prevent possible damage to some types of flooring, never roll casters on unprotected hardwood or vinyl flooring.

The lift mechanism is in a locked position for shipping. To unlock, pull straight out on the handle, and then the lift cylinder can be activated by lifting the handle.