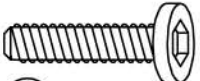


### Components and Hardware List

M1/4" x 2 1/4"  
Allen Head Bolt



(A) 8 pcs.

1/4" Spring  
Washer



(B) 16 pcs.

1/4" Flat Washer



(C) 16 pcs.

M1/4" x 3/4"  
Allen Head Bolt



(D) 8 pcs.

"L" Bracket



(E) 4 pcs.

4mm Allen  
Wrench

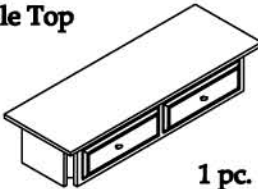


(F) 1 pc.



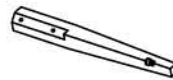
#92015  
Sofa Table

Table Top



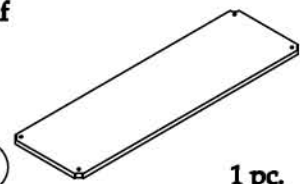
(G) 1 pc.

Leg



(H) 4 pcs.

Shelf



(I) 1 pc.

Be sure to check all packing material carefully for small parts, which may have come loose inside the carton during shipment.

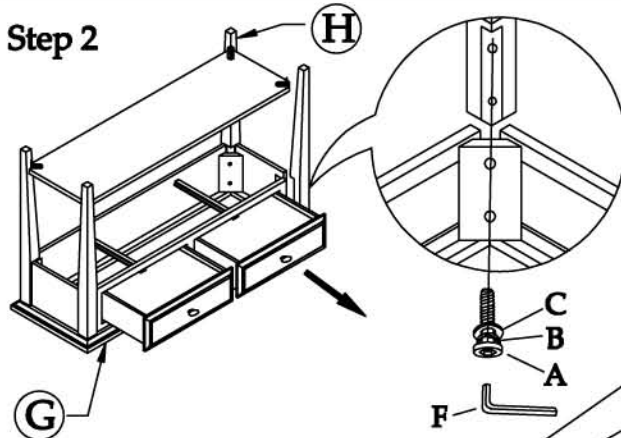
**Step 1:** Place the Table Top (G), upside down on a soft non-abrasive surface, such as a blanket or carpet and remove the drawer.

**Step 2:** Attach the LEGS (H) to the underneath side of the Table Top with the 2 1/4" long Allen-Head Bolts (A), Spring Washers (B) and Flat Washers (C). Do not fully install bolts until after next step.

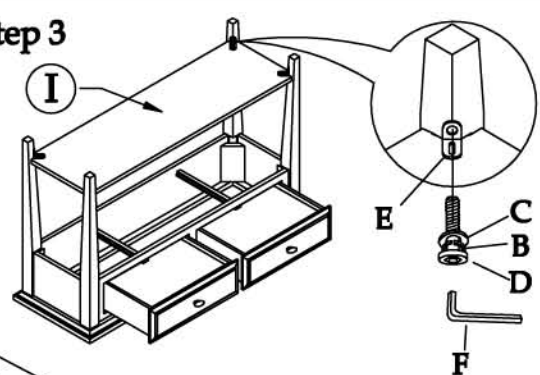
**Step 3:** Attach the Shelf (I) to the LEGS with the "L" Brackets (E) and using the 3/4" long Allen-Head Bolts (D) and same washers as previous step. Pull the Shelf into the notch of each leg and tighten all the Bolts using the Allen Wrench (F).

**Step 4:** Carefully set the Table upright and reinsert the drawer back into the Table Top.

Step 2



Step 3



Step 4

