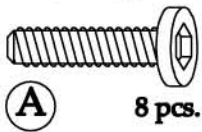
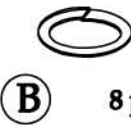


Components and Hardware List

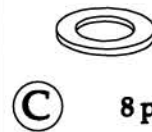
M1/4" x 2 1/4"
Allen Head Bolt



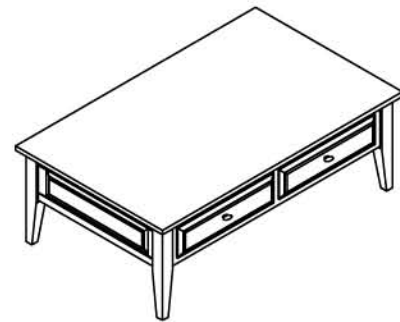
1/4" Spring
Washer



1/4" Flat Washer

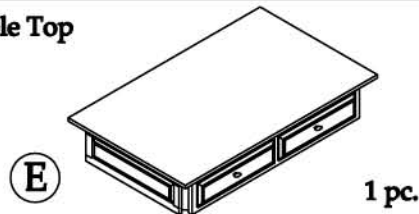


4mm Allen Wrench

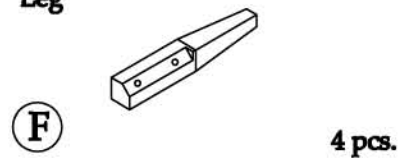


#92002
Rectangular Cocktail Table

Table Top



Leg



Be sure to check all packing material carefully for small parts, which may have come loose inside the carton during shipment.

Step 1: Place the Table Top (E), upside down on a soft non-abrasive surface, such as a blanket or carpet and remove the drawer.

Step 2: Attach the LEGS (F) to the underneath side of the Table Top with the 2 1/4" long Allen-Head Bolts (A), Spring Washers (B) and Flat Washers (C). Tighten all bolts using the Allen Wrench (D).

Step 3: Carefully set the Table upright and reinsert the drawer back into the Table Top.

