

**#31041
TV Console Deck**

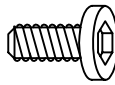






**#31040
TV Console**

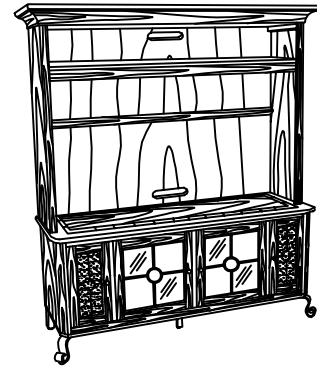
Notice: In homes where small children may be present, the U.S. Consumer Product Safety Commission (CPSC) recommends that steps be taken for certain furniture items to prevent or minimize the risk of tipover. This furniture is equipped with Tipover Restraint Hardware for use to minimize this risk, if used. Please follow the instructions printed on the hardware package for proper installation steps. Riverside Furniture Corp. recommends that parents and guardians stay up to date on all issues related to children's safety in the home.

Warning: This tipover restraint is not to be a substitute for proper adult supervision. Do not allow children to climb on furniture. Items left on top of the TV and furniture, such as toys, remote controls and treats might tempt young children to climb.

Important: Check to be sure the wall bracket is firmly screwed into wall stud, the furniture bracket is firmly attached to the furniture, and the strap is snug. Riverside Furniture Corp. assumes no liability for improper installation or excessive loads placed on screws, brackets or straps. Failure to detach this restraint before moving furniture may result in personal injury and property damage.

Components and Hardware List

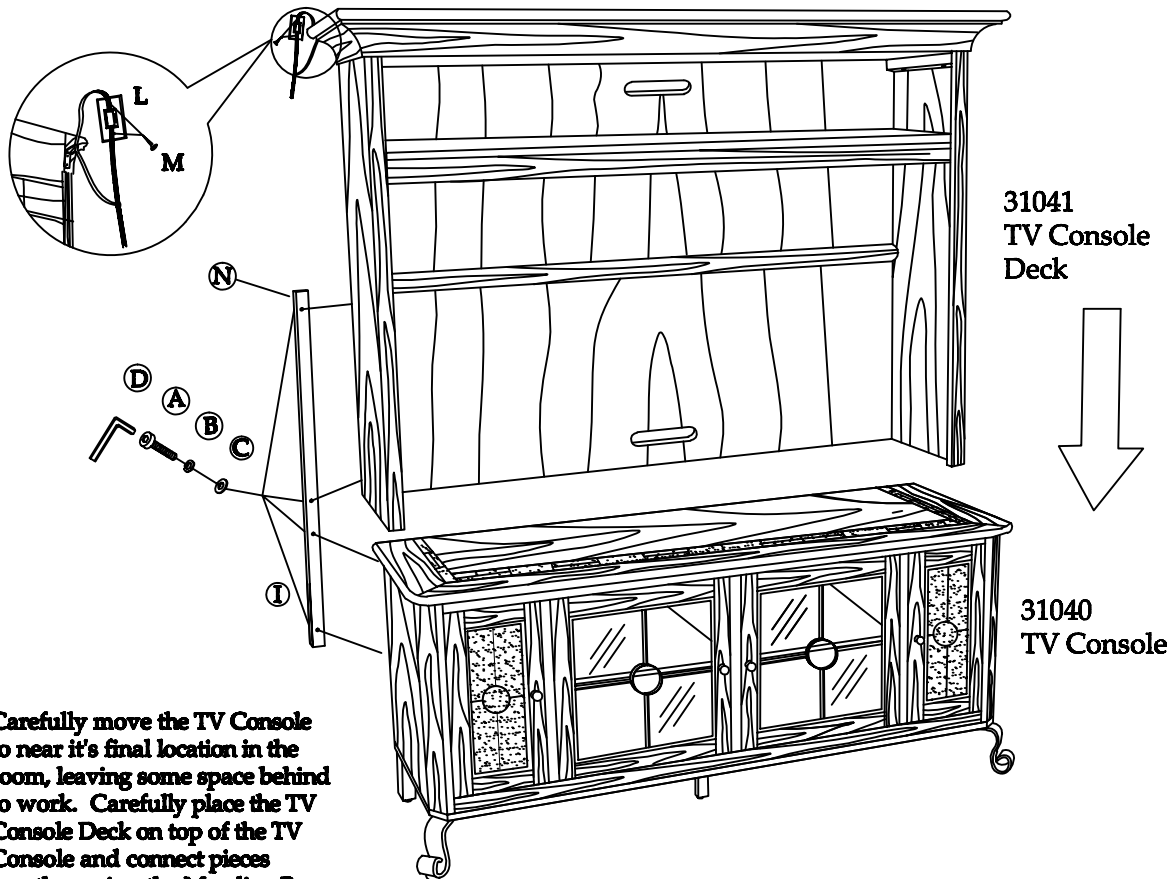
M5/16" X 1-1/2" Allen Head Bolt  (A) 8 pcs.	5/16" Spring Washer  (B) 8 pcs.	5/16" x 18mm Flat Washer  (C) 8 pcs.	5mm Allen Wrench  (D) 1 pc.
Anti-tipping Restraint  (L) 2 pcs.	Wood screw  (M) 4 pcs.	Mending Bar  (N) 2 pcs.	



31040 TV Console
31041 TV Console Deck

Be sure to check all packing material carefully for small parts, which may have come loose inside the carton during shipment.

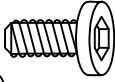



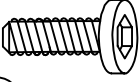









Note: The hardware listed above is part of the hardware pack for the TV Console Deck.

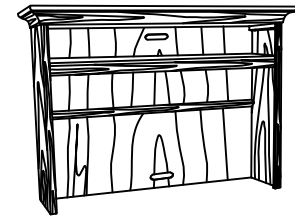


Carefully move the TV Console to near it's final location in the room, leaving some space behind to work. Carefully place the TV Console Deck on top of the TV Console and connect pieces together using the Mending Bar (I), 1-1/2" long Allen-Head Bolt (A), Spring Washer (B) and Flat Washer (C). Tighten using the Allen Wrench (D).

Determine where the Anti-Tipping Restraints will be located on the wall, if they are being used, and firmly attach to a wall stud using the Wood Screws (M). Carefully move the Console and Deck near the wall and install the Anti-Tipping Restraint Strap.

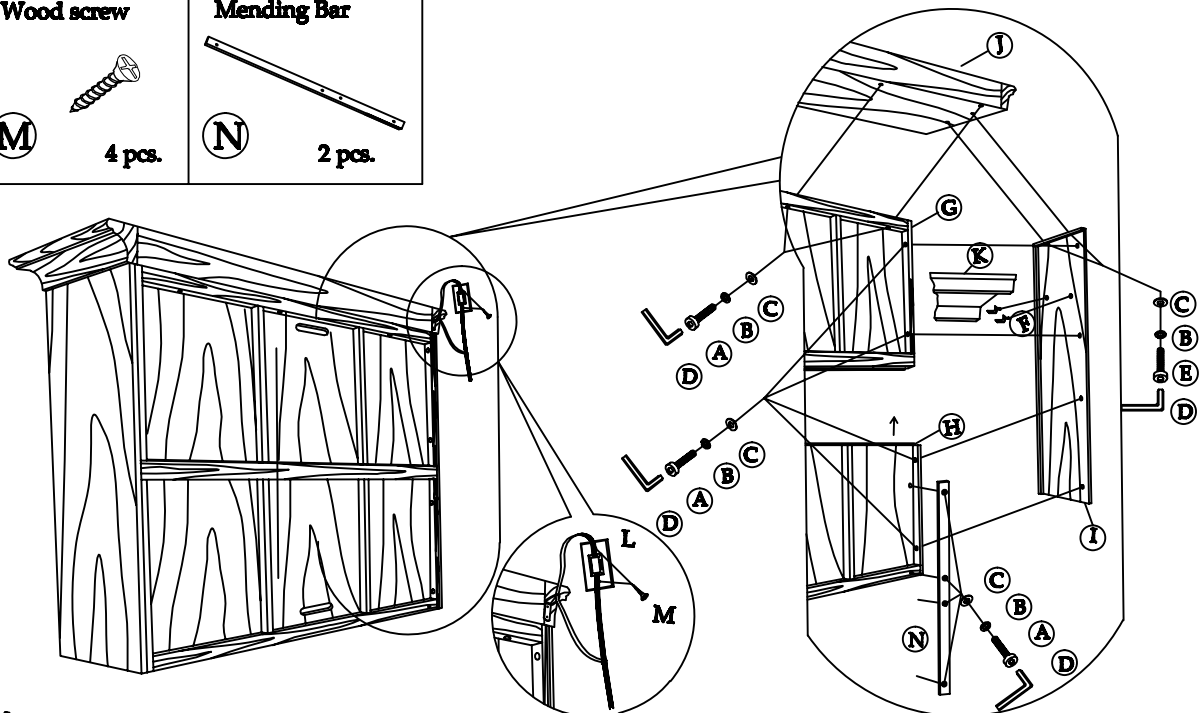
Components and Hardware List

M5/16" X 1-1/2" Allen Head Bolt  (A) 20 pcs.	5/16" Spring Washer  (B) 24 pcs.	5/16" x 18mm Flat Washer  (C) 24 pcs.	5mm Allen Wrench  (D) 1 pc.
M5/16" X 1-1/4" Allen Head Bolt  (E) 4 pcs.	Shelf Support  (F) 4 pcs.	Upper Back Panel  (G) 1 pc.	Bottom Back Panel  (H) 1 pc.
Side Panel  (I) 1 pc. Left & 1 pc. Right	Top Panel  (J) 1 pc.	Shelf  (K) 1 pc.	Anti-tipping Restraint  (L) 2 pcs.
Wood screw  (M) 4 pcs.	Mending Bar  (N) 2 pcs.		



31041 TV Console Deck

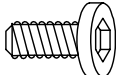



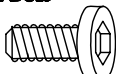



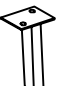



Be sure to check all packing material carefully for small parts, which may have come loose inside the carton during shipment.

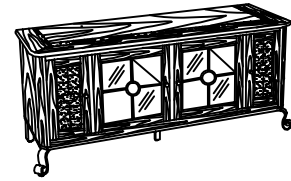


Notes:

1. To prevent possible scratches or damage, assemble on a soft surface such as a blanket or carpet.
2. Assemble the Bottom Back Panel (H) between the Left and Right Side Panels (I), using the 1 1/2" Long Allen Head Bolts (A), Spring Washers (B), and Flat Washers (C). Do not fully tighten until after Step 4.
3. Assemble the Upper Back Panel (G) on the top edge of the Bottom Back Panel and connect to the Side Panels as above.
4. Carefully place the Top Panel on top of the Back Panels and End Panels. Fasten in place using the 1 1/2" Long Allen Head Bolts (A), Spring Washers (B), and Flat Washers (C) across the top edge of the Upper Back Panel and 1 1/4" Long Allen Head Bolts (A), Spring Washers (B), and Flat Washers (C) at the top of the Side Panels.
5. Tighten all bolts using the Allen Wrench (D).
6. After TV Console Deck is attached to Console Base, install Shelf Support (F) and install Shelf (K) into TV Console Deck.

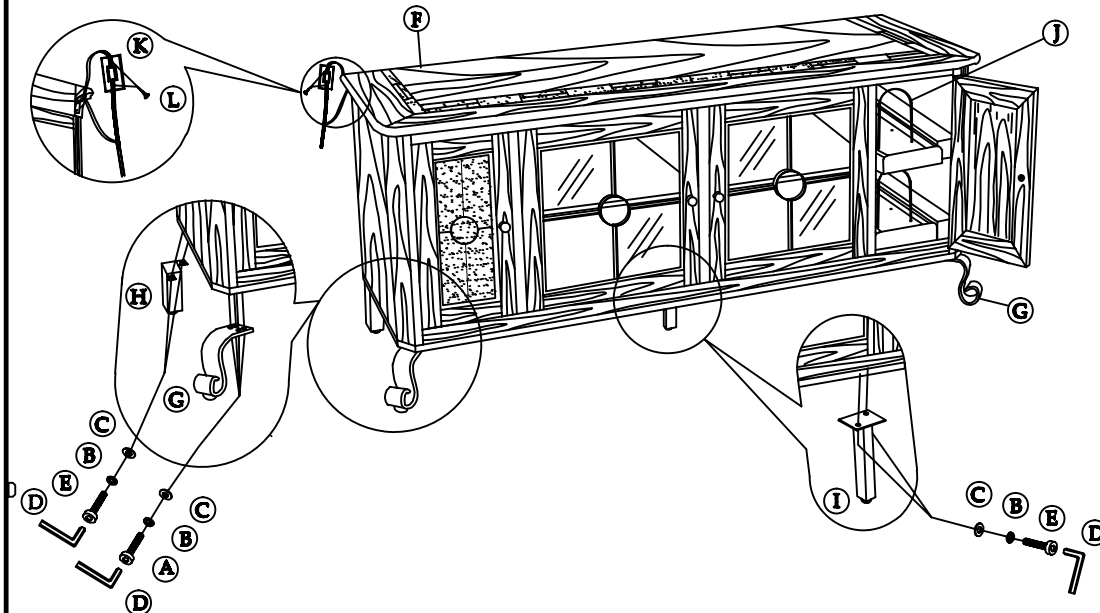
Components and Hardware List

M5/16" x 3/4" Allen Head Bolt  (A) 8 pcs.	5/16" Spring Washer  (B) 14 pcs.	5/16" Flat Washer  (C) 14 pcs.	5mm Allen Wrench  (D) 1 pc.
M5/16" x 5/8" Allen Head Bolt  (E) 6 pcs.	TV Console  (F) 1 pc.	Front Leg  (G) 2 pcs.	Back Leg  (H) 2 pcs.
Middle Leg  (I) 1 pc.	Wire Hoops  (J) 12 pcs.	Anti-tipping Restraint  (K) 2 pcs.	Wood screw  (L) 4 pcs.



31040 TV Console

Be sure to check all packing material carefully for small parts, which may have come loose inside the carton during shipment.



Note:

1. To prevent possible scratches or damage, assemble the TV Console upside down on a soft surface such as a blanket or carpet.
2. Assemble two Front Legs (G) to the bottom of the TV Console using the 3/4" Allen Head Bolts (A), Spring washers (B), and Flat washers (C).
3. Assemble two Back Legs (H) and one Middle Leg (I) to the bottom of the TV Console using the 5/8" Allen head bolts (E), Spring washers (B), and Flat washers (C).
4. Tighten all Bolts using the supplied Allen wrench (D).
5. Carefully turn the TV Console upright.
6. Install the Wire Hoops (J) into the holes on the Pull-Out Media Shelves.
7. If required, the TV Console can be adjusted using the levelers screwed into the bottom of the legs to compensate for uneven floors.
8. If the TV Console is being used without the Deck, the Anti-Tipping Restraints should be connected to the back of the Console. Firmly attach the Restraint to a wall stud using the Wood Screws (L). Move the Console to near the wall and install the Anti-Tipping Restraint Strap.