



FIRESTONE LEGACY GRILL CART/CABINET ASSEMBLY MANUAL

MODELS: 36i & 24i

36i



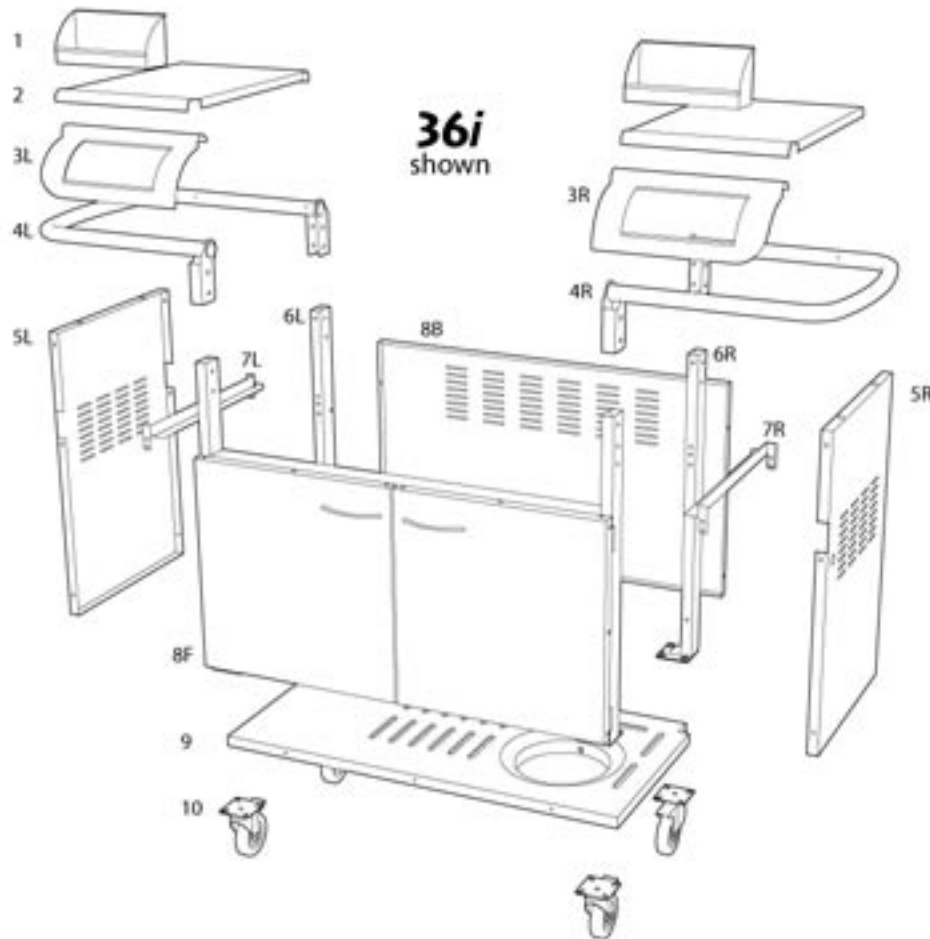
24i





Parts list 36i & 24i

(*note: parts list for both models is identical except where noted)
 *Before starting assembly - see CAUTION below.

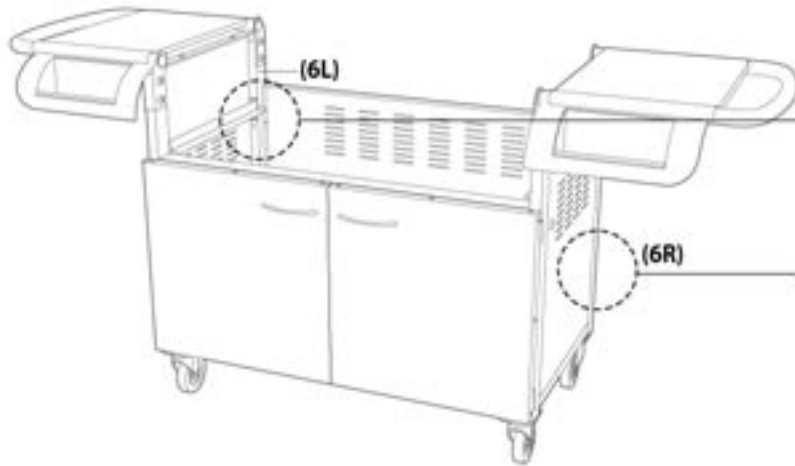


Part #	Description	Quantity
1	Spice tray	2
2	Food platter work shelves	2
3L	Left spice tray holder	1
3R	Right spice tray holder	1
4L	Left handle	1
4R	Right handle	1
5L	Left side panel	1
5R	Right side panel w/hose hole	1
6L	Left rear leg	1
6R	Right rear leg	1
7L	Left slide-rail	1
7R	Right slide-rail	1
8B	Back panel	1
8F	Front door frame (note: 24 i has single-door assembly)	1
9	Bottom shelf (note: 24 i has centered LP tank opening and no vent slots)	1
10	Castors (2 front-lockable)	4
11	Spice tray holder screw	4
12	Anchor screw	2
13	Main body screw	32
14	Castor screw	16
15	Handle screw	8
16	Small lock washer	32
17	Large lock washer	24
18	Small washer	30
19	Large washer	16
20	Nut	8
21	Hose clip	1

Part #:	11	12	13	14	15	16	17	18	19	20	21
Diagram											
Description	phillips sheet metal	phillips sheet metal	phillips machine round	phillips machine round	phillips machine round	small lock washer	large lock washer	small flat washer	large flat washer	hex nut	hose clip
Size	3/8"	3/4"	1/2"	3/4"	1-13/16"	5/16"	3/8"	7/16"	13/16"	7/16"	
Quantity	4	2	32	16	8	32	24	30	16	8	1

*** CAUTION: Do not remove Fire Stone grill head from its shipping box until cart/cabinet is completely assembled. Grill head drip tray can be damaged if not supported properly.**

1. Attach Side Panels to Rear Cart Legs

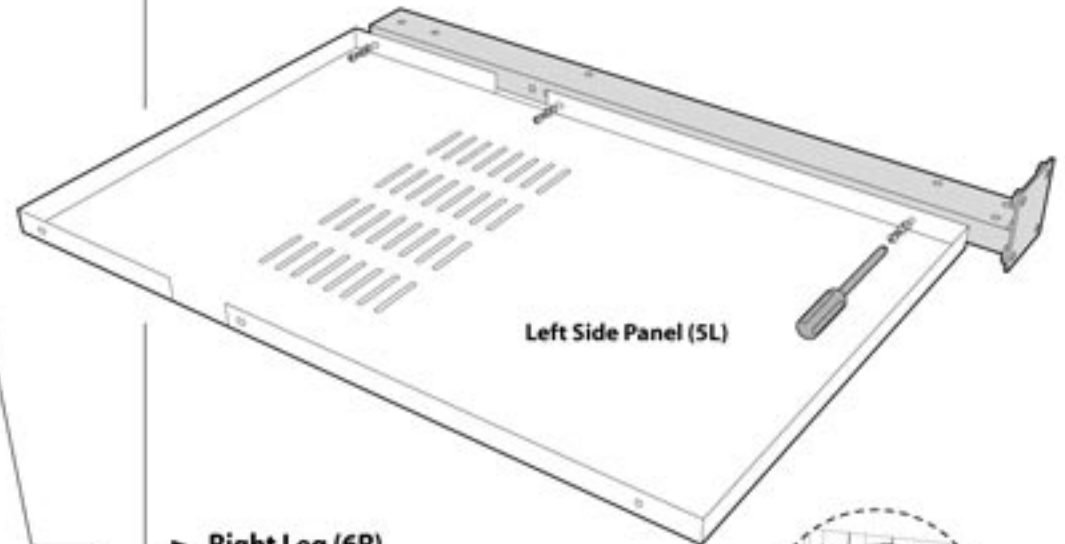


- Attach left and right side panels to rear cart legs using #13 main body screw, #16 small lock washer and #18 small washer.



Part #	Qty Required
#13 machine screw (1/2") threads into machined holes in legs	Qty: 6
#16 lock washers threaded flush to head of main body screw	Qty: 6
#18 flat washers placed on main body screw after lock washer	Qty: 6

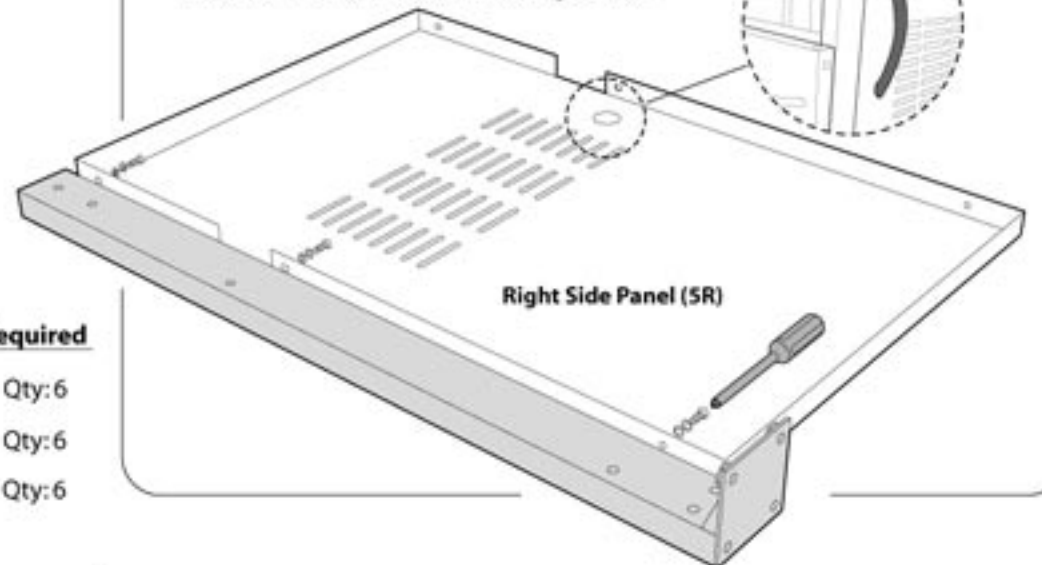
▶ Left Leg (6L)



Left Side Panel (SL)

▶ Right Leg (6R)

Panel (SR) has hole to accommodate gas hose.



Right Side Panel (SR)

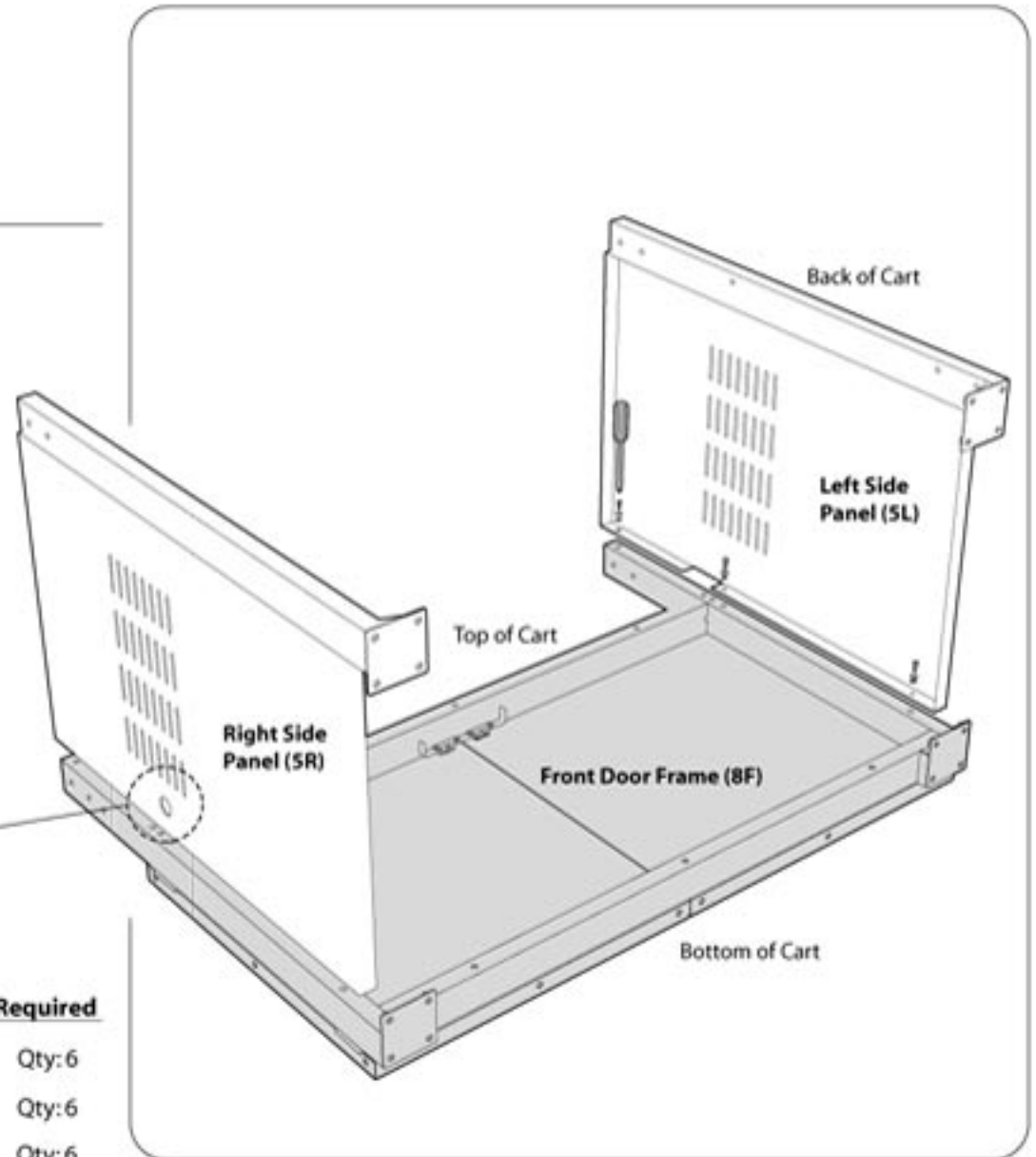
2. Attach Side Panels to Front Door Frame



- Lay down cardboard or other protective underlayment then place front door frame (doors face down) on protected surface. Attach side panels to front door frame using #13 main body screw, #16 small lock washer and #18 small washer. Be sure gas line hole is on RIGHT side as you face the cart. If unsure of hole opening location, stand cart on its legs to check orientation before continuing to next step.

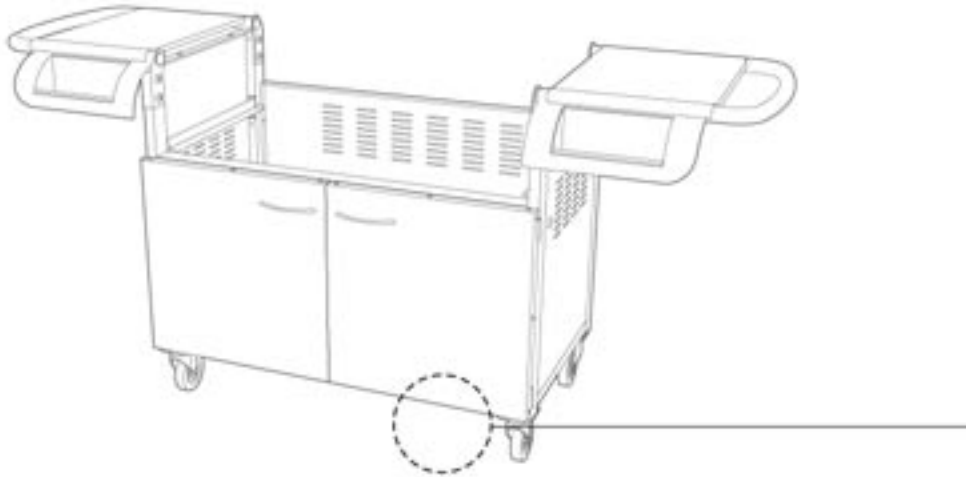


Make sure gas line hole in panel (SR) is on RIGHT side as you face the cart. If unsure of hole opening location, stand cart on its legs to check orientation.

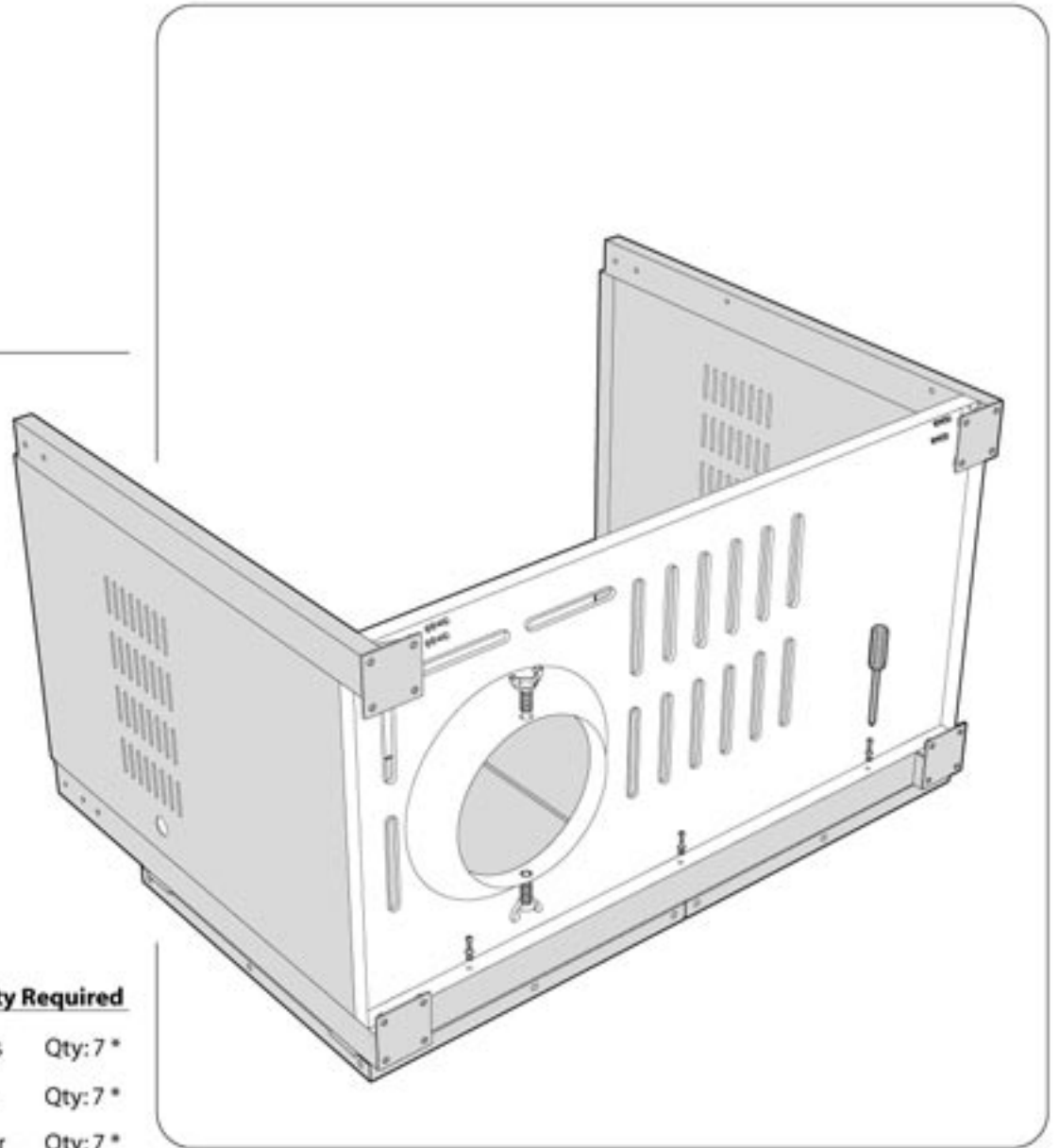


Part #	Qty Required
#13 machine screw (1/2") threads into machined holes in legs	Qty: 6
#16 lock washers threaded flush to head of main body screw	Qty: 6
#18 flat washers placed on main body screw after lock washer	Qty: 6

3. Attach Bottom Shelf



- Attach bottom shelf to side panels using #13 main body screw, #16 small lock washer and #18 small washer.
(Note: 24 i bottom shelf has centered LP tank opening and no vent slots)



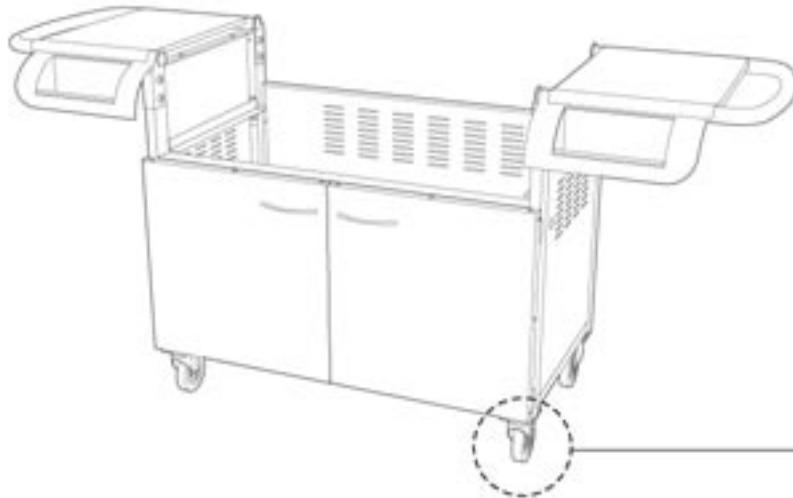
Part #

Qty Required

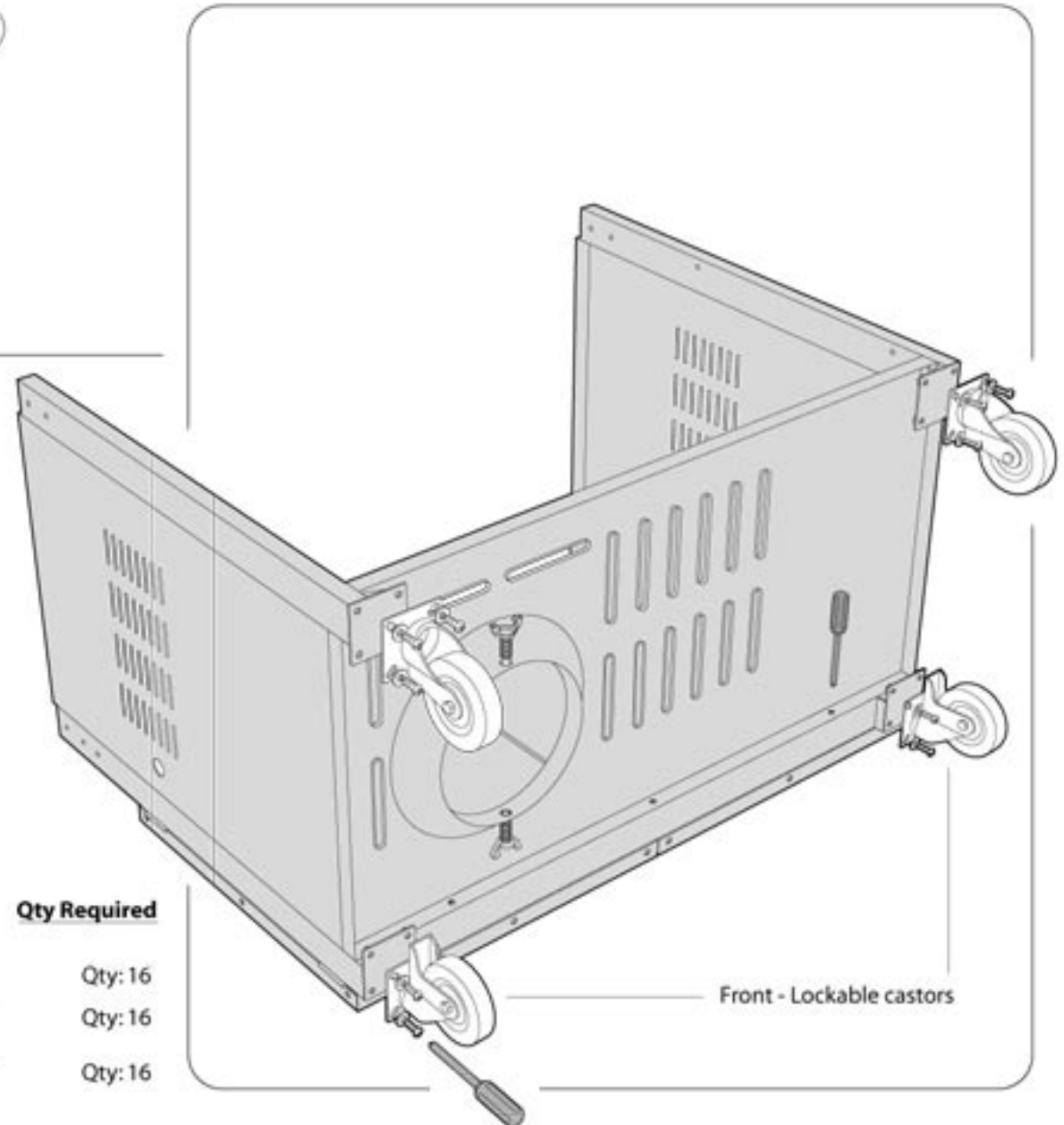
- #13 machine screw (1/2") threads into machined holes in legs Qty: 7 *
- #16 lock washers threaded flush to head of main body screw Qty: 7 *
- #18 flat washers placed on main body screw after lock washer Qty: 7 *

*note: only 6 screws, lock washers, flat washers required this step for 24i cart assembly

4. Attach Castors



- Attach castors using #14 castor screw, #17 large lock washer and #19 large washer.
(Attach lockable castors to the front cart legs)



Part #

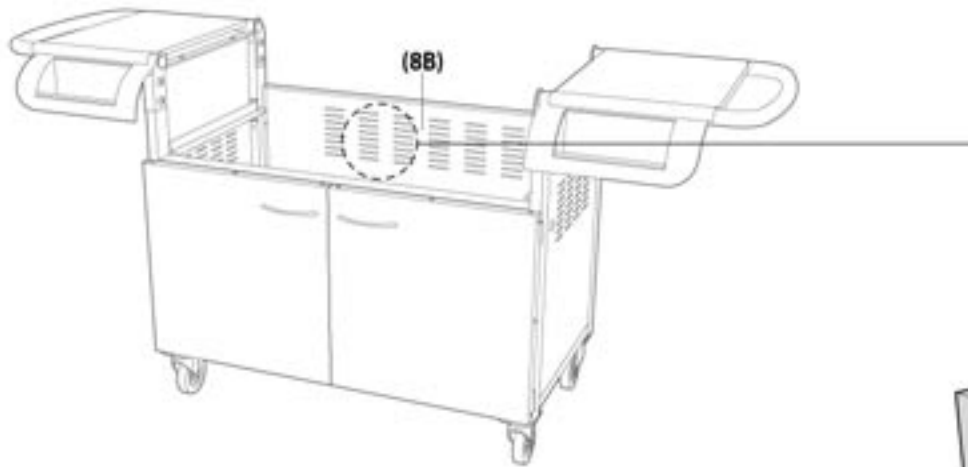
- #14 castor screws (3/4") threaded through castor into bottom of each cart leg
- #17 lock washers threaded flush to head of castor screw
- #19 flat washer placed on castor screw after lock washer

Qty Required

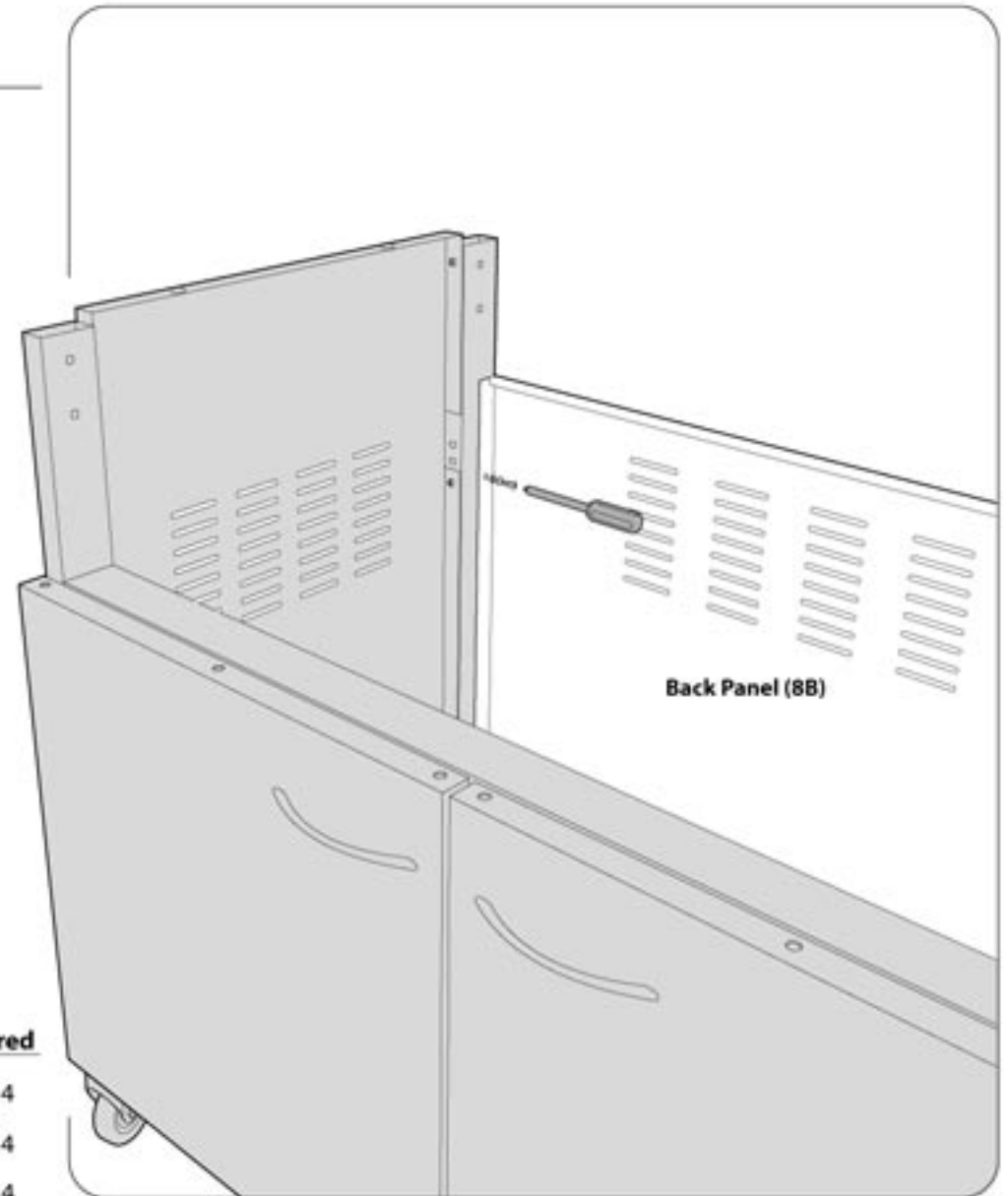
- Qty: 16
- Qty: 16
- Qty: 16




Front - Lockable castors

5. Attach Back Panel

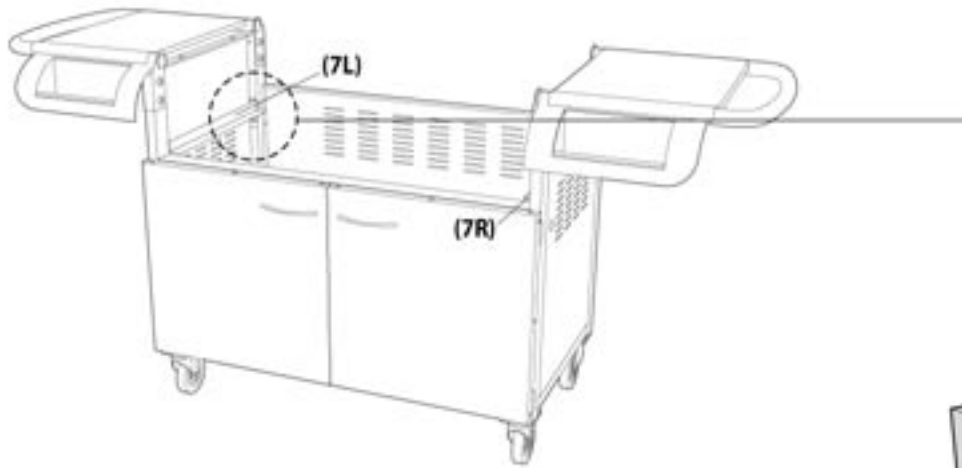


- Attach back panel to side panels using #13 main body screw, #16 small lock washer and #18 small washer.

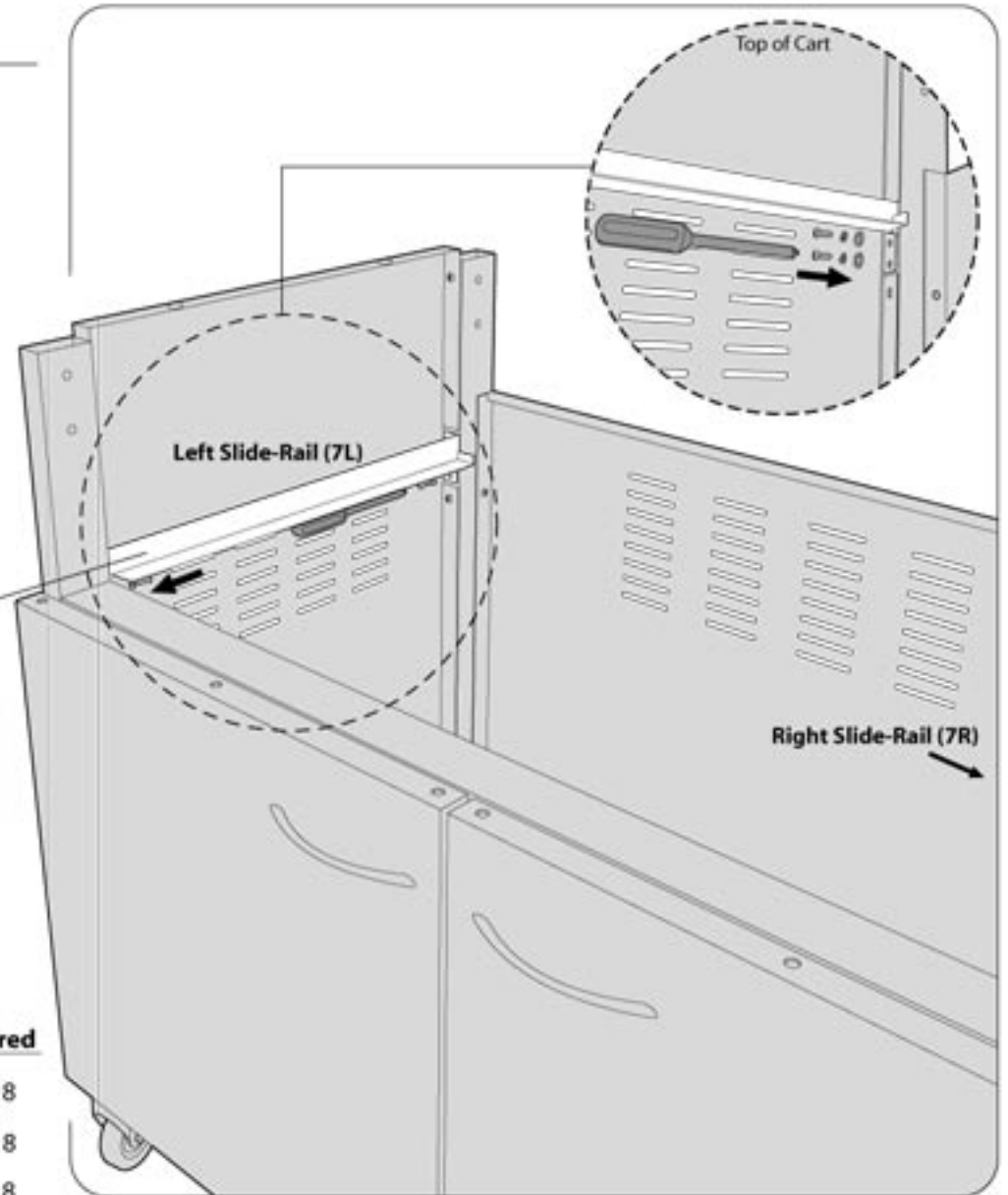


	Part #	Qty Required
	#13 Machine screw (1/2") threads into machined holes in legs	Qty: 4
	#16 lock washers threaded flush to head of main body screw	Qty: 4
	#18 flat washers placed on main body screw after lock washer	Qty: 4

6. Attach Slide-Rails for Drip Tray



- Attach left and right slide-rails for drip tray to front and back legs using #13 main body screw, #16 small lock washer and #18 small washer. Stop gap should be to back of cart.

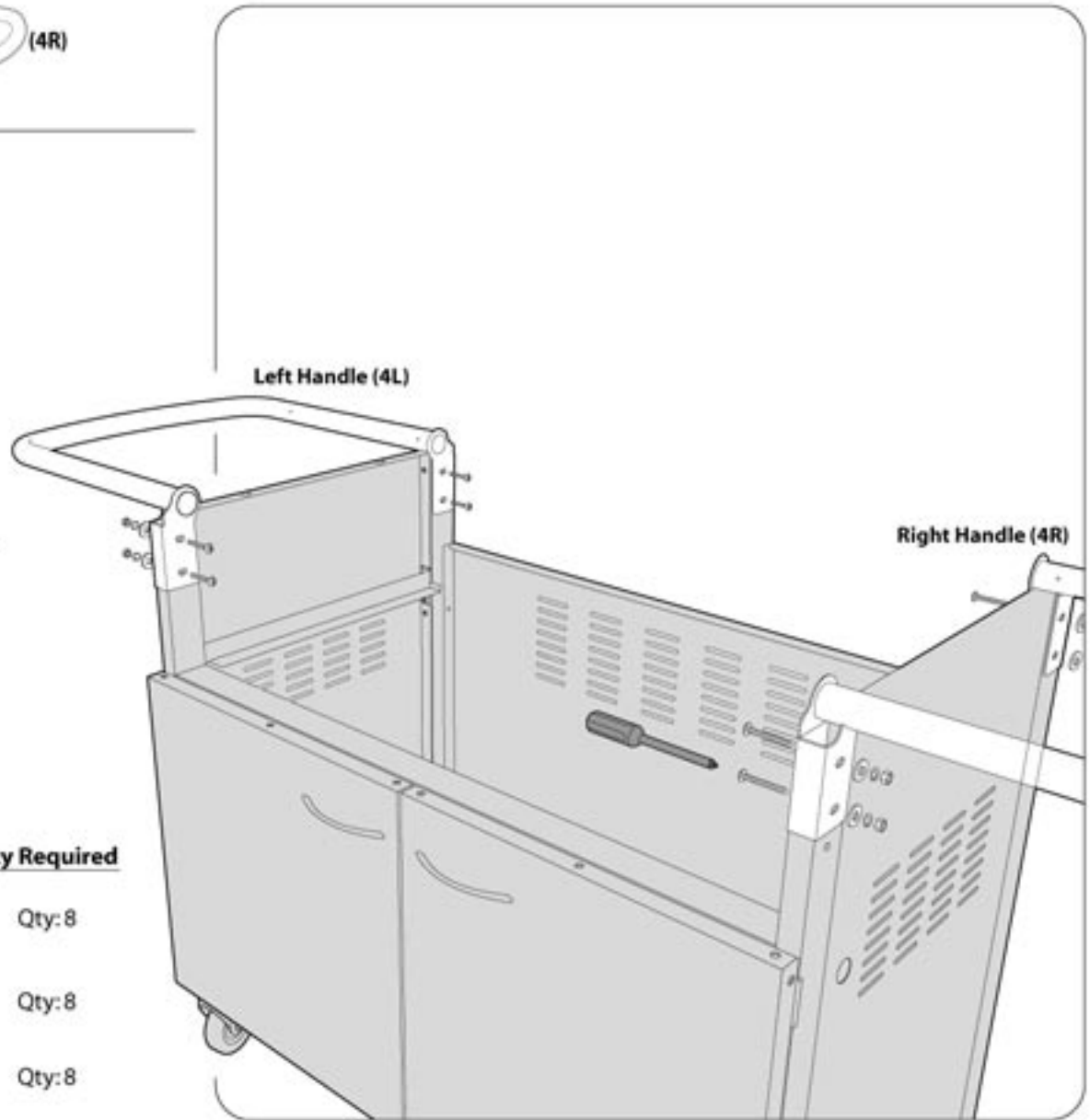
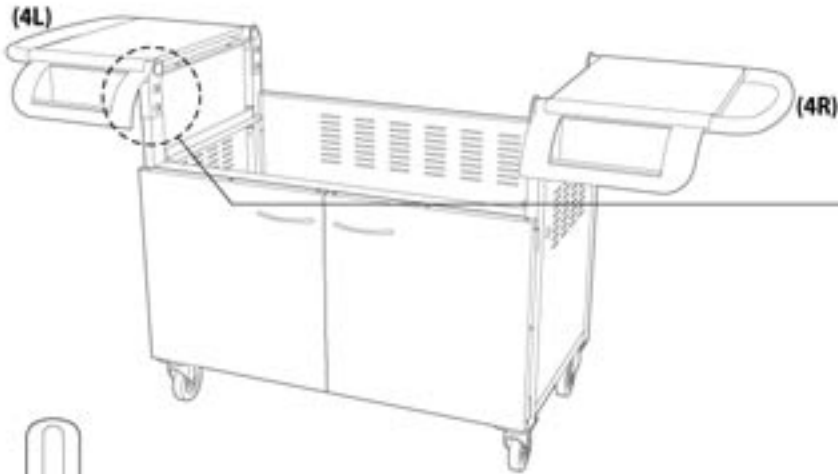


Drip tray is included with the Fire Stone Legacy 36i & 24i Grill Head. Cart/Cabinet assembly should be completed first before installing your drip tray between the slide-rails.



Part #	Qty Required
#13 Machine screw (1/2") threads into machined holes in legs	Qty: 8
#16 lock washers threaded flush to head of main body screw	Qty: 8
#18 flat washers placed on main body screw after lock washer	Qty: 8

7. Attach Handles

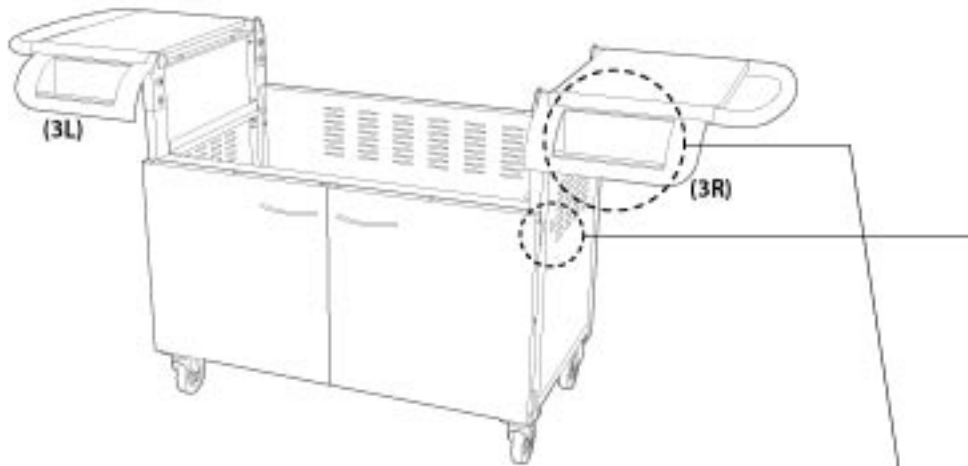


- Attach left and right handles with #15 handle screw head flush to inside of cart. After handle screw is inserted through handle, place #19 flat washer on first followed by #17 lock washer then #20 hex nut.



Part #	Qty Required
— #15 handle screws (1-13/16") threaded through handle and top of cart legs	Qty: 8
— #19 flat washers placed on handle screw flush to outside of cart handle	Qty: 8
— #17 lock washers placed on handle screw after #19 flat washer	Qty: 8
— #20 hex nuts (7/16") threaded tight onto end of handle screw	Qty: 8

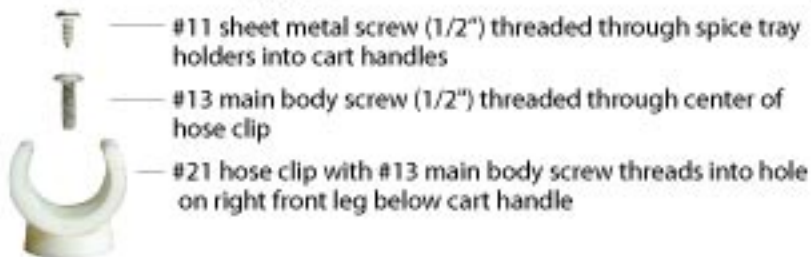
8. Attach Spice Tray Holders and Hose Clip



- Attach left and right spice tray holders with two screws for each holder using #11 spice tray holder screw and attach the hose clip with #13 main body screw.



Part #

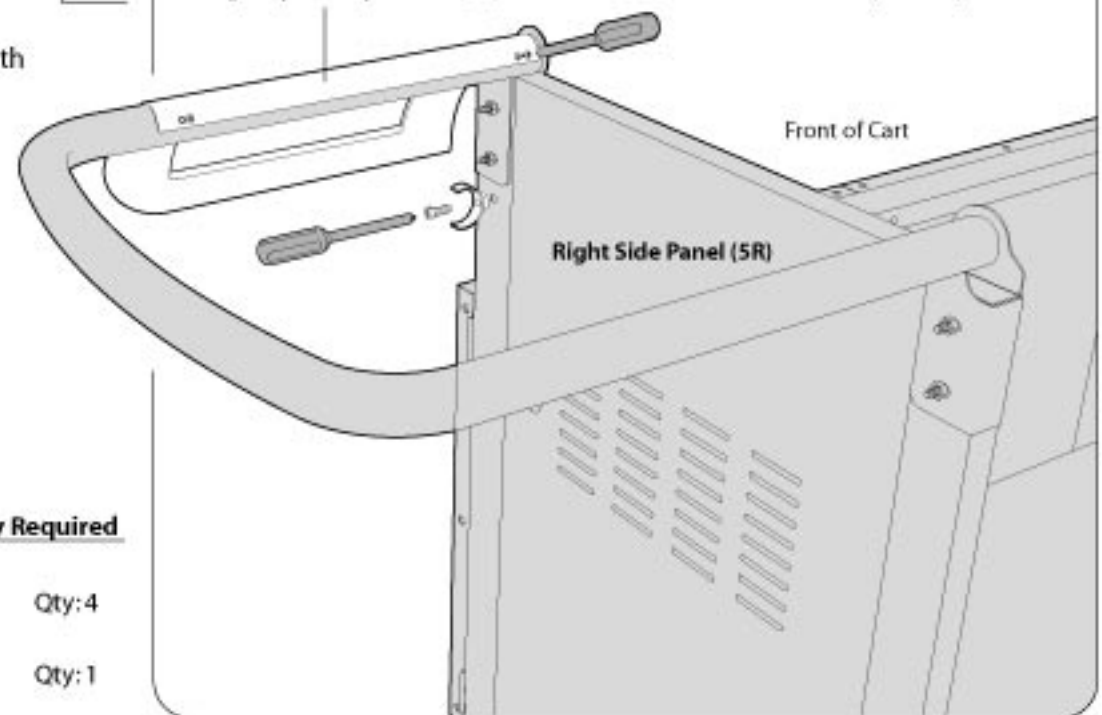
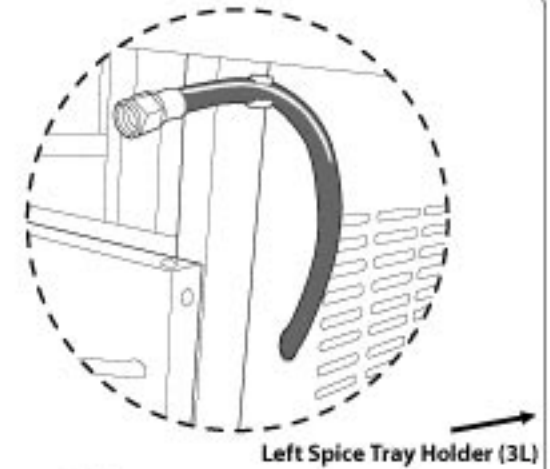


- #11 sheet metal screw (1/2") threaded through spice tray holders into cart handles
- #13 main body screw (1/2") threaded through center of hose clip
- #21 hose clip with #13 main body screw threads into hole on right front leg below cart handle

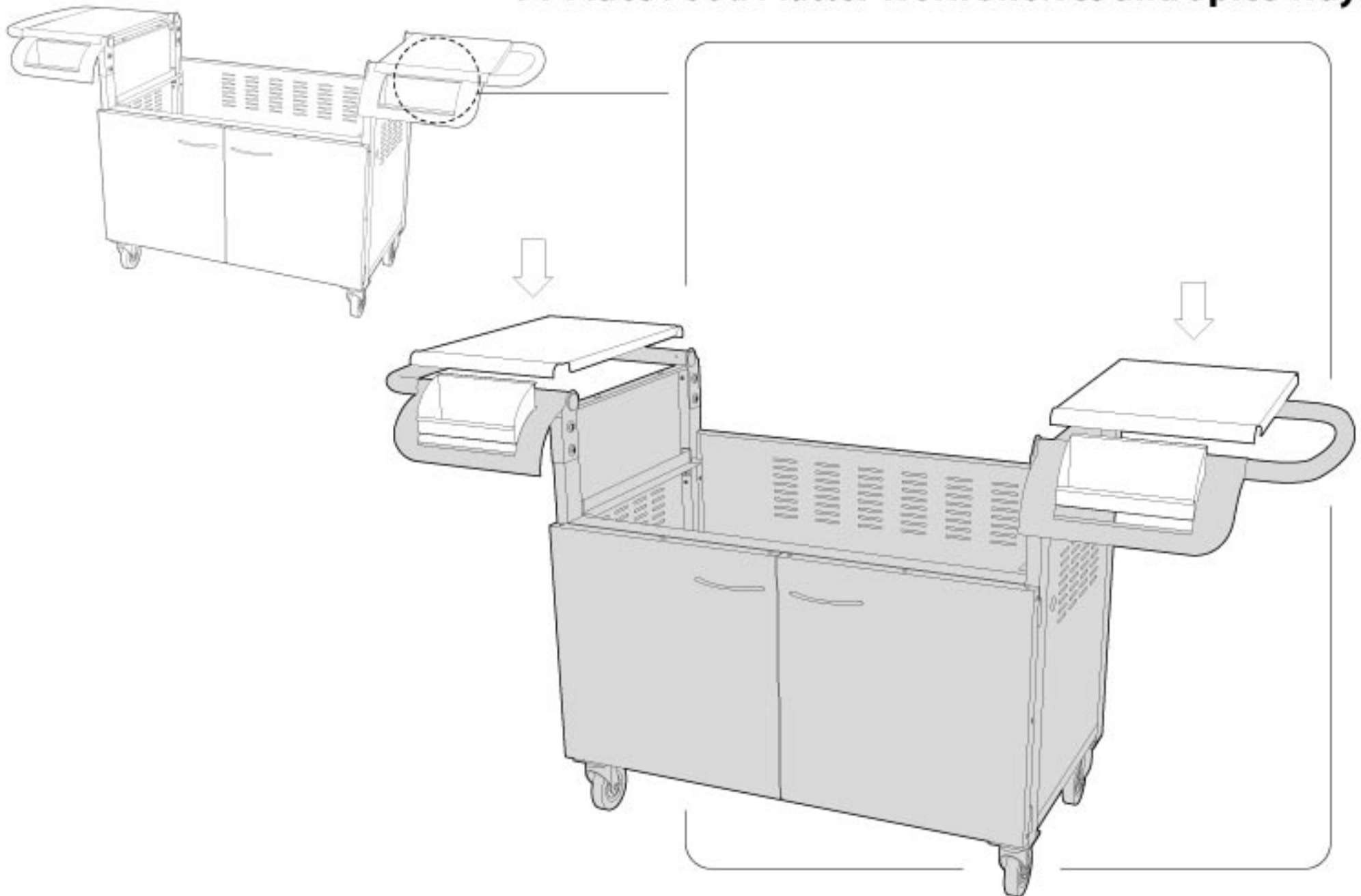
Qty Required

- Qty: 4
- Qty: 1
- Qty: 1

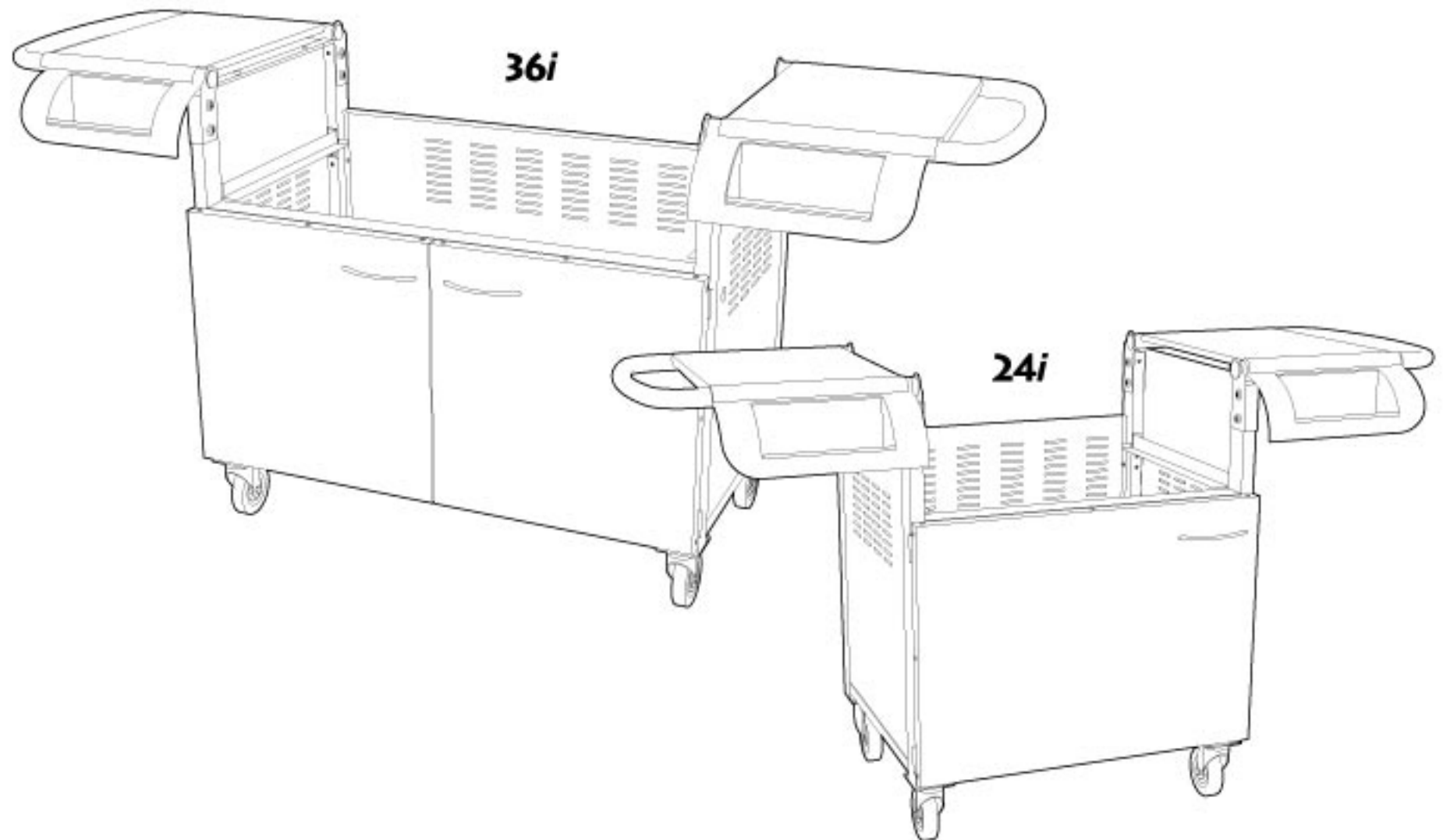
Feed regulator hose from inside of cart through the right side panel and attach to hose clip.



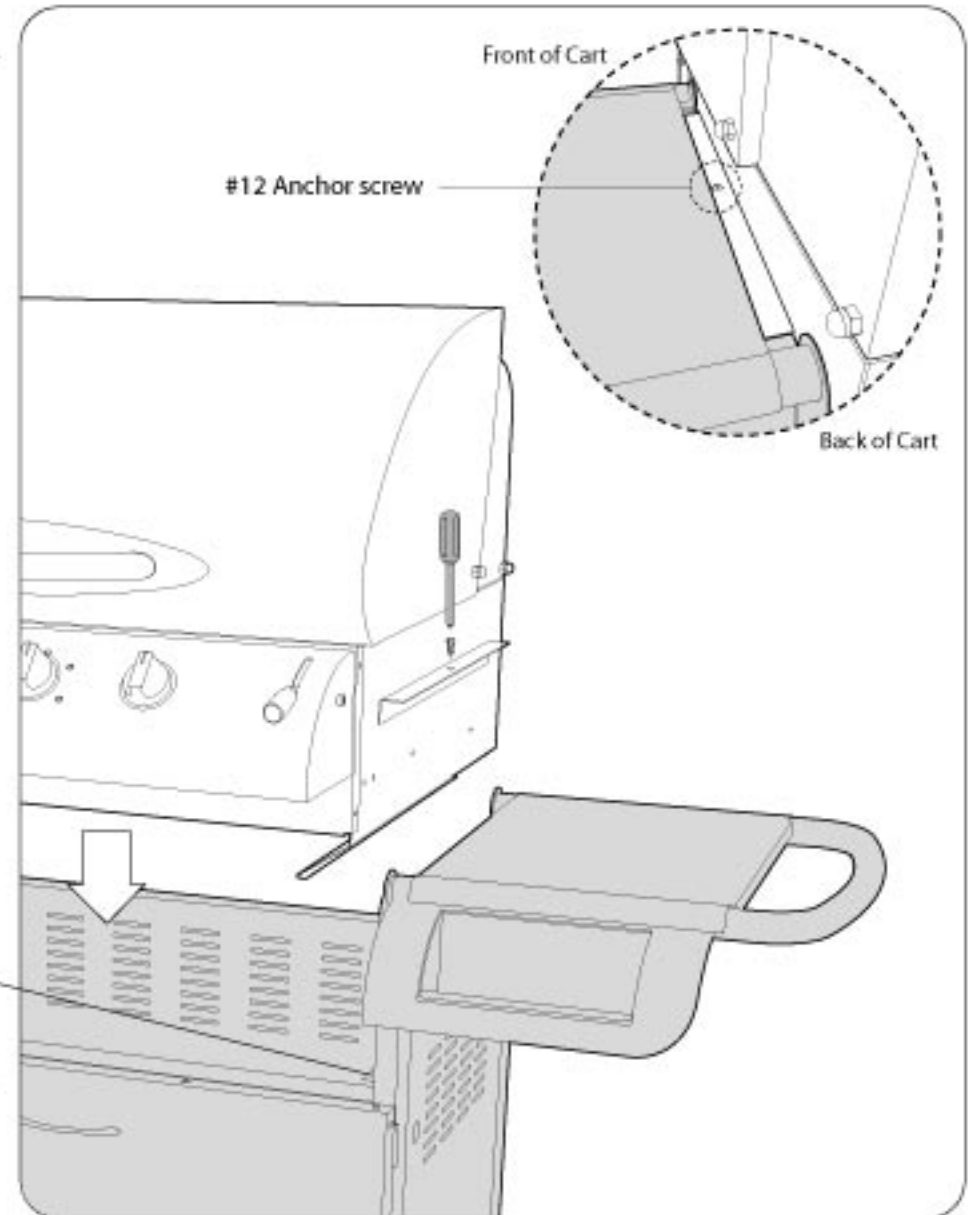
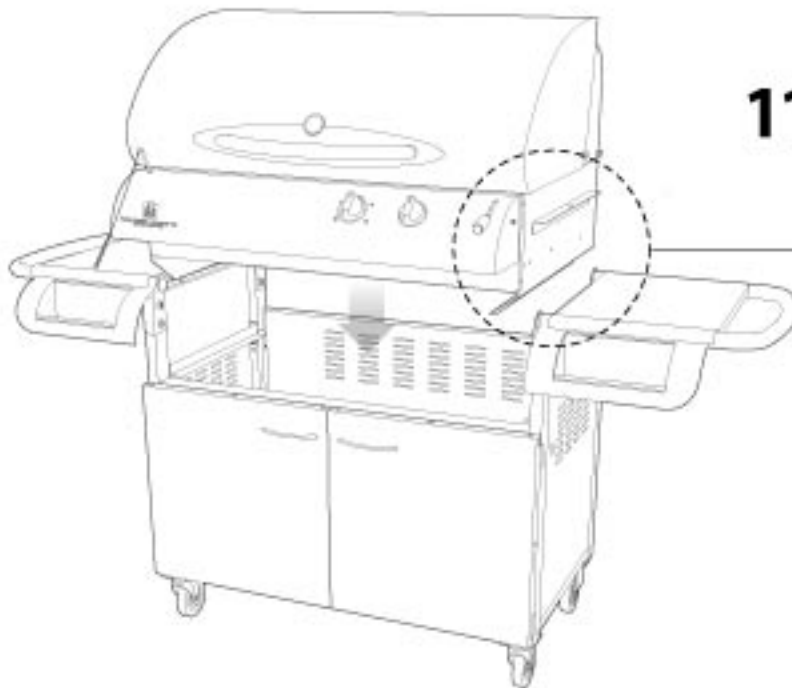
9. Place Food Platter Work Shelves and Spice Trays



10. Completed Cart/Cabinet



11. Secure Grill Head onto Finished Cart/Cabinet



- Secure grill head on both sides of completed cart/cabinet using #12 anchor screw. Be sure cart/cabinet is on level ground and that front castors are locked before placing grill head. (Caution: The grill head is heavy. For your safety, it is recommended that at least (2) persons lift and place grill head onto cart/cabinet)



Drip tray is included with the Fire Stone Legacy **36i** & **24i** Grill Head. After the grill head has been placed onto the cart/cabinet and secured with the anchor screws, the drip tray can then be slid into place between the slide-rails.

Part #

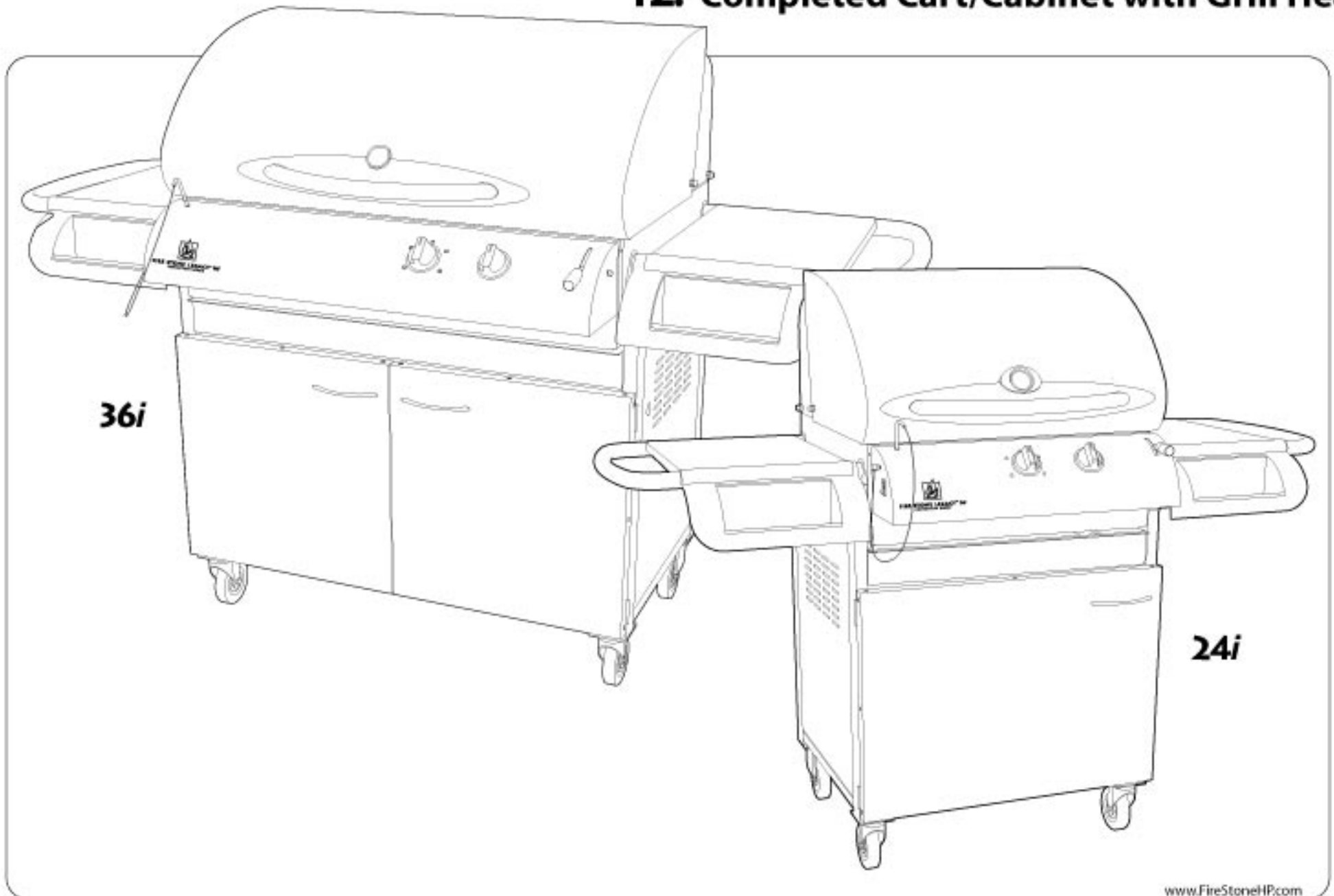
#12 sheet metal screw (3/4") threads through grill head support ledge into top of cart/cabinet on both sides

Qty Required

Qty: 2



12. Completed Cart/Cabinet with Grill Head



36i

24i