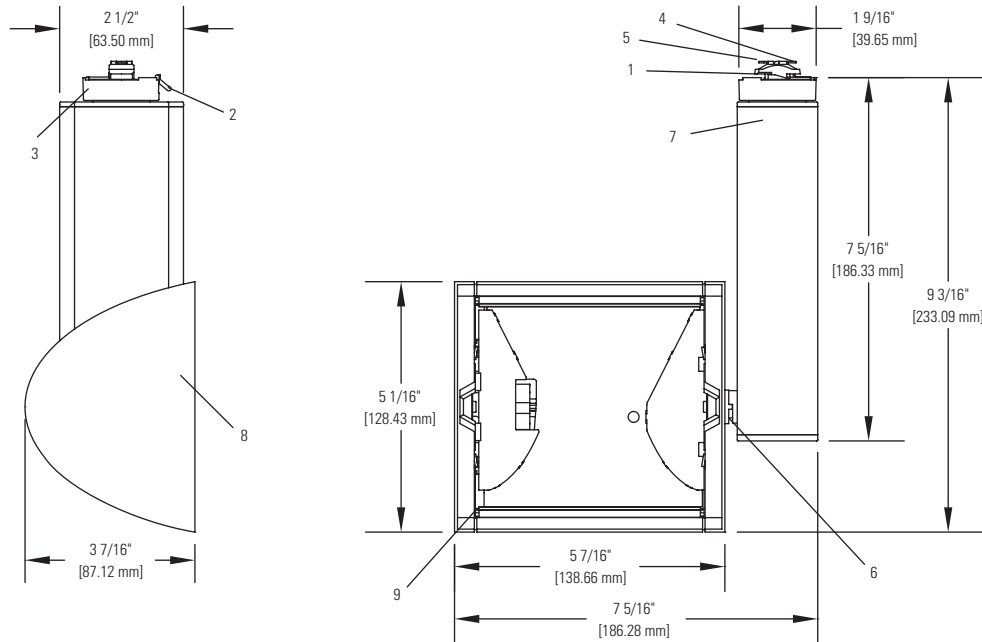


Lytespan Track Lighting System **81F70T45**

Page 1 of 2

Mini HID 70W CMH T4.5 G8.5 Wall Washer



Ordering Information

Catalog No.	Finish	Mounting	Lamping
81F70T45AL 81F70T45BK 81F70T45WH	Matte Aluminum Matte Black Matte White	All Lytespan Track systems, Basic, Advent and Radius Track systems only. Not compatible with ProSpec track system.	70W T4.5 CMH (M98) G8.5 Bi-pin base Not Included
81F70T45SPCAL 81F70T45SPCBK 81F70T45SPCWH	Matte Aluminum Specular Reflector Matte Black Specular Reflector Matte White Specular Reflector		
81F70T45WRMAL 81F70T45WRMBK 81F70T45WRMWH	Matte Aluminum Warming Reflector Matte Black Warming Reflector Matte White Warming Reflector		

Features

- Track Attachment Fitting:** Molded polycarbonate. Integral color in gray, black or white. Rotates into track and locks into place with the use of push tab.
- Push Tab:** Molded polycarbonate. Locks and detaches unit.
- Track Adaptor Housing:** Die-cast aluminum
- Movable Contact:** Solid Brass. Extends for connection to 2nd circuit in Advent track.
- Ground Contact:** Solid brass
- Pivot Mounts:** Allows for 350° horizontal and 0-90° vertical rotation in both directions with tensioned mounts for controlled aim.
- Ballast Housing:** Extruded aluminum housing with die-cast aluminum covers.
- Lamp Housing:** Extruded aluminum housing with two die-cast end plates.
- Protective Glass:** .125" tempered glass

Accessories

Vertical Blade Louver 81LV4BK
Visor 81VZ4BK

Finish

All Painted finishes are baked powder or enamel.

Electrical

Metal Halide Electronic Ballast, thermally protected
.67A Maximum input current
80W Maximum input power

Labels

cCSAus Listed, for dry locations only.

Job Information

Type:

Job Name:

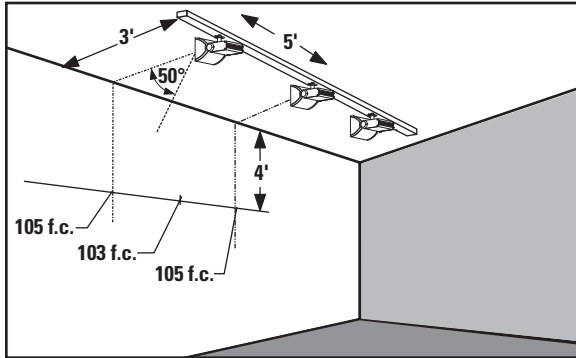
Cat. No.:

Lamp(s):

Notes:

Lighting Data – Specular Reflector

Footcandles on wall:



Lamp Information:

70W CDM T4 Single Ended Metal Halide. (Philips Elite)
 Initial Lumens: 7300
 CRI: 90
 Rated Avg. life: 12,000 hrs.

EXAMPLE: With track located 3' from wall and multiple units spaced 6' on center and aimed 50° from horizontal, the illumination on wall 4' from ceiling will be 105 f.c. beneath units and 103 f.c. between units.

Footcandles on Wall

Track 2 Feet From Wall

Single Unit

Multiple Units

		0'	1'	2'	3'	4'	5'
Distance From Ceiling	1	192	184	58	12	3	1
	2	196	228	95	26	7	2
	3	154	178	94	33	11	3
	4	95	110	74	33	13	5
	5	56	66	53	30	14	6
	6	33	39	36	24	13	6
	7	21	24	24	18	11	6
	8	14	16	16	13	9	6
	9	10	11	11	10	8	5

4'			5'			6'		
199	120	199	196	57	196	192	25	192
209	192	209	199	101	199	197	52	197
175	190	175	159	115	159	156	67	156
121	150	121	105	103	105	99	67	99
83	112	83	67	84	67	61	61	61
59	78	59	46	62	46	39	49	39
44	55	44	33	45	33	28	37	28
34	39	34	26	33	26	21	28	21
26	29	26	20	25	20	16	21	16

Footcandles are average and rounded off. Data for multiple units is based on a minimum of five units.

For standard reflector multiply footcandles by 0.73

For warming reflector multiply footcandles by 0.82

Job Information

Type: