

READ AND UNDERSTAND THESE INSTRUCTIONS BEFORE INSTALLING LUMINAIRE

This luminaire is intended for installation in accordance with the National Electrical Code and local regulations. To assure full compliance with local codes and regulations, check with your local electrical inspector before installation. To prevent electrical shock, turn off electricity at fuse box before proceeding.

Retain these instructions for maintenance reference.

INSTRUCTION SHEET NO.

IS:8725

D0104

Page 1 of 2

**INSTRUCTIONS FOR LUMINAIRES 8725, 8727, 8735, 8737, 8745, 8747, 8782, 8783, 8784 & ACCESSORIES
INSTALLATION INSTRUCTIONS FOR ASSEMBLING SHADES TO METALLICS® LUMINAIRES.
FOR USE WITH LYTESPAN® OR PROSPEC® TRACK SYSTEMS ONLY.**

To install dome or Barndoor Shades:

1. For DOME SHADES, line up shade's NECK FLANGE with corresponding openings on inside diameter of ARM (See Fig. 1). For BARNDOOR SHADES, line up hole on HOUSING with hole on ARM (See ALIGNMENT HOLES, Fig. 2).
2. Push in and twist-lock shade by turning it clockwise until it is tightly held.
3. Install indicated PAR lamp into shade (See LAMPING INFORMATION on page 2).

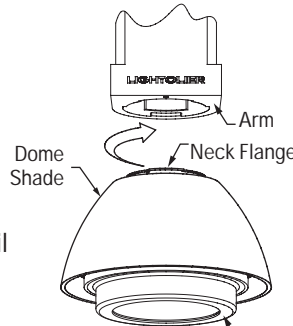


Fig. 1
Accessory Holder
(sold separately from shades)

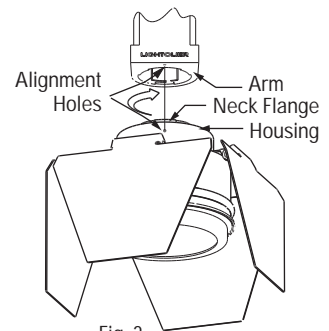


Fig. 2

To install ACCESSORIES into Metallics Dome and Barndoor Shades:

NOTE: A DOME or BARNDOOR SHADE plus an ACCESSORY HOLDER are required to install ACCESSORIES into Metallics luminaires. (The ACCESSORY HOLDERS are sold separately from the SHADES). For ACCESSORY information see ACCESSORIES chart on page 2. ACCESSORY HOLDER may be used without ACCESSORIES.

1. Before installing ACCESSORY HOLDER, assemble DOME or BARNDOOR SHADE to the Metallics luminaire and install lamp (See above).
2. Place the desired ACCESSORIES inside ACCESSORY HOLDER (A max. of two ACCESSORIES). Line up ACCESSORY HOLDER so that the SPRINGS are facing the inside diameter of the DOME or BARNDOOR SHADE. Push ACCESSORY HOLDER into shade until it snaps into the GROOVE (See Fig. 3 & 4).

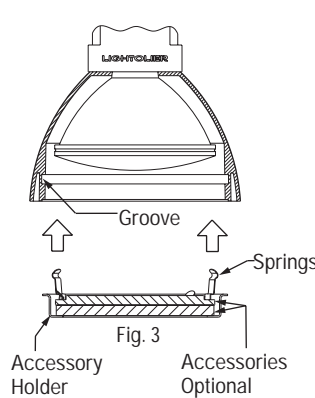


Fig. 3

Accessories
Optional
(sold separately)

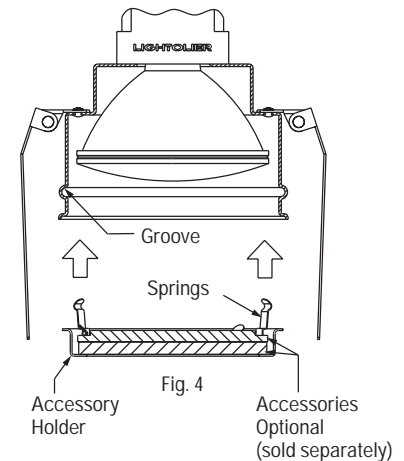


Fig. 4

Accessories
Optional
(sold separately)

Instructions For Attaching Accessory Holders to a PowerArc Modular PAR30, PAR38, or ED17 Spot Luminaire:

1. Optional: Place desired ACCESSORIES inside ACCESSORY HOLDER. For ACCESSORY compatibility, see PAGE 2.
2. Orient ACCESSORY HOLDER so that the ACCESSORY SPRINGS are facing the inside diameter of the PowerArc MODULAR SPOT LUMINAIRE. Push ACCESSORY SNOOT into LUMINAIRE until it snaps into the GROOVE. (See FIG. 5)

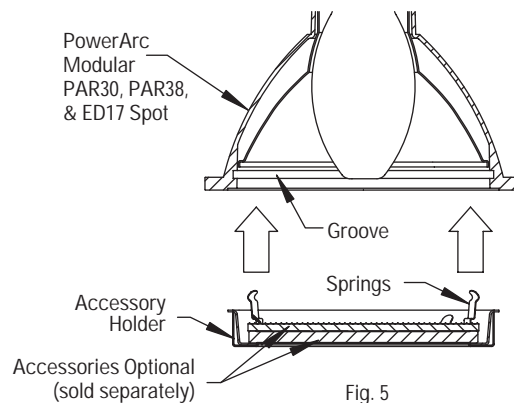


Fig. 5

Accessories
Optional
(sold separately)

READ AND UNDERSTAND THESE INSTRUCTIONS BEFORE INSTALLING LUMINAIRE.

This luminaire is intended for installation in accordance with the National Electrical Code and local regulations. To assure full compliance with local codes and regulations, check with your local electrical inspector before installation. To prevent electrical shock, turn off electricity at fuse box before proceeding.

Retain these instructions for maintenance reference.

INSTRUCTION SHEET NO.

IS:8725

D0104

Page 2 of 2

**INSTRUCTIONS FOR LUMINAIRES 8725, 8727, 8735, 8737, 8745, 8747, 8782, 8783, 8784 & ACCESSORIES
INSTALLATION INSTRUCTIONS FOR RELAMPING METALLICS® LUMINAIRES WITH SHADES.
FOR USE WITH LYTESPAN® OR PROSPEC® TRACK SYSTEMS ONLY.**

Relamping DOME SHADES or BARNDOOR SHADES:

CAUTION: TURN OFF LUMINAIRE AND ALLOW TO COOL BEFORE RELAMPING OR MAKING ADJUSTMENTS.

1. If ACCESSORY HOLDER (sold separately) is present, pull out evenly until it snaps out of the shade or housing (See Fig. 6 & 7).
2. Remove lamp by rotating counter clockwise.
3. Install indicated PAR lamp (See LAMPING INFORMATION chart below).
4. To replace ACCESSORY HOLDER (see page 1).

NOTES: For BARNDOOR SHADES, open the BARNDOORS enough for the ACCESSORY HOLDER to slide out. Once the ACCESSORY HOLDER is installed, adjust BARNDOORS to desired position.

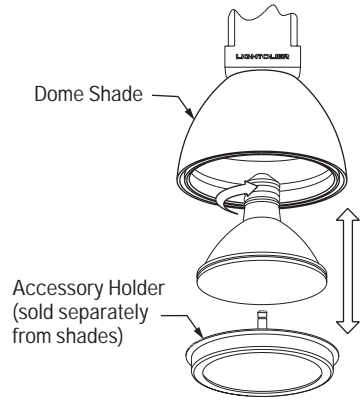


Fig. 6

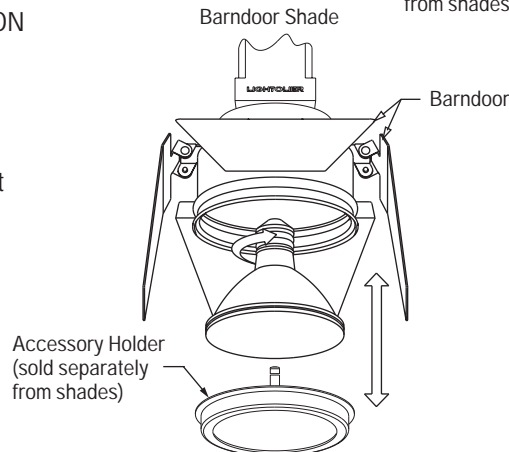


Fig. 7

Dome or Barndoor Shade	Accessory Holder (optional)	Accessories			Lamp Type/Used on Luminaire	
		Color Filters	Diffusion/Special Filters	Hex Cell Louvers	Incandescent/Halogen	Metal Halide
8725 PAR20 Barndoor	8782 2 1/2" Accy. Holder	AFD25 (series)	AF25 (series)	AL25HC	PAR20 50W MAX (with 8701, 28701, 8201, 8202)	PAR20 39W (with 8704E)
8727 PAR20 Dome						
8735 PAR30 Barndoor	8783 3 3/4" Accy. Holder	AFD3 (series)	AF3 (series)	AL3HC	PAR30 70W MAX (with 8701, 28701, 8201, 8202)	PAR30L 39W (with 8704E, 8303, 8313)
8737 PAR30 Dome						PAR30L 70W (with 8705E, 28705E, 8303, 8313)
8745 PAR38 Barndoor	8784 4 3/4" Accy. Holder	AFD4 (series)	AF4 (series)	AL4HC	PAR38 250W MAX 150W MAX w/accessories (with 8701, 28701, 8201, 8202)	*PAR38 70W (with 8706E, 8308, 8318)
8747 PAR38 Dome						*PAR38 100W (with 8707E, 8308, 8318)
						*Clear MHC ED17P 70W (with 8307, 8317)
						*Clear MHC ED17P 100W (with 8307, 8317)

* When using an ED17 lamp with Cat. No. 8307U, 8317U, 8307, or 8317 an 83ED17R Series Reflector must also be used (See IS:83ED17). Note: Luminaire 8318 if used with 100W lamp accepts AL4HC only. 70W accepts two accessories.