

### Ordering Information

Catalog No.	Finish	Mounting	Lamping
<b>81F70T6AL</b> <b>81F70T6BK</b> <b>81F70T6WH</b>	Matte Aluminum Matte Black Matte White	All Lytespan Track systems, Basic, Advent and Radius Track systems only. Not compatible with ProSpec track system.	70W T6 G12 Base Ceramic Metal Halide Lamp Not Included
<b>81F70T6SPCAL</b> <b>81F70T6SPCBK</b> <b>81F70T6SPCWH</b>	Matte Aluminum Specular Reflector Matte Black Specular Reflector Matte White Specular Reflector		
<b>81F70T6WRMAL</b> <b>81F70T6WRMBK</b> <b>81F70T6WRMWH</b>	Matte Aluminum Warming Reflector Matte Black Warming Reflector Matte White Warming Reflector		

### Features

- Track Attachment Fitting:** Molded polycarbonate. Integral color in gray, black or white. Rotates into track and locks into place with the use of push tab.
- Push Tab:** Molded polycarbonate. Locks and detaches unit.
- Track Adaptor Housing:** Die-cast aluminum
- Movable Contact:** Solid Brass. Extends for connection to 2nd circuit in Advent track.
- Ground Contact:** Solid brass
- Pivot Mounts:** Allows for 350° horizontal and 0-90° vertical rotation in both directions with tensioned mounts for controlled aim.
- Ballast Housing:** Extruded aluminum housing with die-cast aluminum covers.
- Lamp Housing:** Extruded aluminum housing with two die-cast end plates.
- Protective Glass:** .125" tempered glass

### Accessories

Vertical Blade Louver 81LV6BK  
Visor 81VZ6BK

### Finish

All Painted finishes are baked powder or enamel.

### Electrical

Metal Halide Electronic Ballast, thermally protected  
.64A Maximum input current  
77W Maximum input power  
High power factor

### Labels

cCSAus Listed, for dry locations only.

### Job Information

### Type:

**Job Name:**

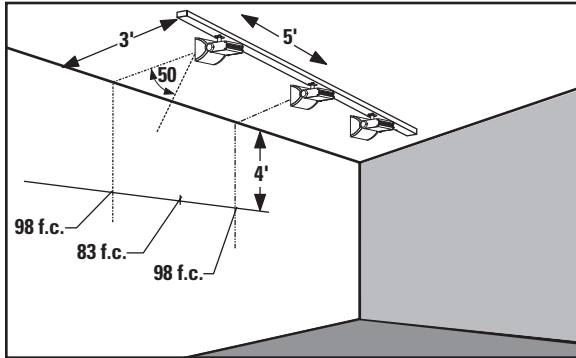
**Cat. No.:**

**Lamp(s):**

**Notes:**

## Lighting Data – Specular Reflector

Footcandles on wall:



### Lamp Information:

70W CDM T6 Single Ended Metal Halide. (Philips Elite)  
 Initial Lumens: 6600  
 CRI: 92, 4200K  
 Rated Avg. Life: 9,000 - 15,000 hrs.

**EXAMPLE:** With track located 3' from wall and multiple units spaced 5' on center and aimed 50° from horizontal, the illumination on wall 4' from ceiling will be 98 f.c. beneath units and 83 f.c. between units.

## Footcandles on Wall

### Track 3 Feet From Wall

### Single Unit

### Multiple Units

		0'	1'	2'	3'	4'	5'
Distance From Ceiling	1'	223	178	54	13	3	1
	2'	193	187	77	22	7	2
	3'	139	143	74	27	10	3
	4'	87	93	58	26	11	5
	5'	52	56	41	24	11	5
	6'	32	34	29	19	10	5
	7'	20	22	20	15	9	5
	8'	14	15	14	11	8	5
	9'	10	11	10	9	6	4

4'			5'			6'		
228	109	228	224	53	224	224	26	224
205	156	205	199	79	199	195	45	195
159	151	159	148	93	148	142	54	142
109	120	109	98	83	98	90	54	90
75	83	75	63	67	63	57	48	57
53	64	53	43	51	43	38	39	38
40	46	40	31	38	31	26	31	26
31	34	31	24	29	24	20	24	20
24	26	24	19	22	19	15	19	15

IES test report #F09066

Footcandles are average and rounded off and data for multiple units are based on a minimum of five units.

Data shown is for specular finish reflector option.

For standard reflector multiply footcandles by 0.73

For warming reflector multiply footcandles by 0.82

For Philips Elite T6 lamp multiply footcandles by 1.1

**Job Information**

**Type:**