

Ordering Information

Catalog No.	Finish	Mounting	Lamping
81F20T4AL 81F20T4BK 81F20T4WH	Matte Aluminum Matte Black Matte White	All Lytespan Track systems, Basic, Advent and Radius Track systems only. Not compatible with ProSpec track system.	20W CMH T4 GU6.5 Ceramic Metal Halide Not included
81F20T4SPCAL 81F20T4SPCBK 81F20T4SPCWH	Matte Aluminum Specular Reflector Matte Black Specular Reflector Matte White Specular Reflector		
81F20T4WRMAL 81F20T4WRMBK 81F20T4WRMWH	Matte Aluminum Warming Reflector Matte Black Warming Reflector Matte White Warming Reflector		

Features

- Track Attachment Fitting:** Molded polycarbonate. Integral color in gray, black or white. Rotates into track and locks into place with the use of push tab.
- Push Tab:** Molded polycarbonate. Locks and detaches unit.
- Track Adaptor Housing:** Die-cast aluminum
- Movable Contact:** Solid Brass. Extends for connection to 2nd circuit in Advent track.
- Ground Contact:** Solid brass
- Pivot Mounts:** Allows for 350° horizontal and 0-90° vertical rotation in both directions with tensioned mounts for controlled aim.
- Ballast Housing:** Extruded aluminum housing with die-cast aluminum covers.
- Lamp Housing:** Extruded aluminum housing with two die-cast end plates.
- Protective Glass:** .125" tempered glass

Accessories

Vertical Blade Louver 81LV4BK
Visor 81VZ4BK

Finish

All Painted finishes are baked powder or enamel.

Electrical

Metal Halide Electronic Ballast (thermally protected)
.20A input current
24.5W input power
High power factor

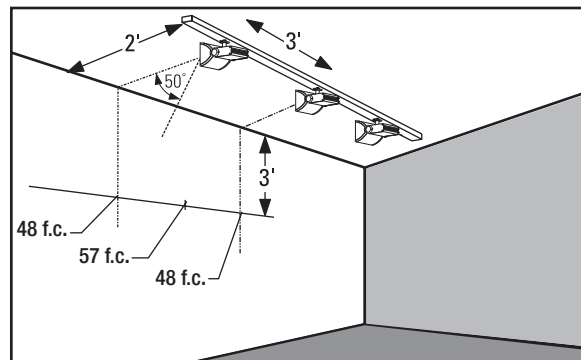
Markings

cCSAus Listed, for dry locations only.

Job Information	Type:
Job Name:	
Cat. No.:	
Lamp(s):	
Notes:	

Lighting Data – Specular Reflector

Footcandles on wall:



Lamp Information:
 20W T4 Gu6.5
 Lumens: 1615
 Rated Avg. life: 9,000 hrs.

EXAMPLE: With track located 2' from wall and multiple units spaced 3' on center and aimed 50° from horizontal, the illumination on wall 3' from ceiling will be 48 f.c. beneath units and 57 f.c. between units.

Footcandles on Wall

Track 2 Feet From Wall		Single Unit						Multiple Units									
		0'	1'	2'	3'	4'	5'	2'			3'			4'			
Distance From Ceiling		□ Beam Center															
	1		112	77	11	2	0	0	135	158	135	116	64	116	113	22	113
	2		82	69	18	3	1	0	118	144	118	88	78	88	82	36	82
	3		39	39	17	5	1	0	74	87	74	48	57	48	41	34	41
	4		18	20	12	5	2	1	44	49	44	28	35	28	21	25	21
	5		9	10	8	4	2	1	27	29	27	18	21	18	13	16	13
	6		5	6	5	3	2	1	17	18	17	13	13	13	9	11	9
	7		3	3	3	2	2	1	11	12	11	9	9	9	6	7	6
	8		2	2	2	2	1	1	8	9	8	6	7	6	5	5	5
9		1	2	2	2	1	1	6	6	6	5	5	5	4	4	4	

Footcandles are average and rounded off. Data for multiple units is based on a minimum of five units.

For standard reflector multiply footcandles by 0.73

For warming reflector multiply footcandles by 0.82

Job Information

Type: