

Ordering Information

| Catalog No. | Finish | Mounting | Lamping |
|-------------------------------------------------------------------|-------------------------------------------------------------------------------------------------------|--------------------------------------------------------------------------------------------------------------------|---------------------------------------------------|
| 81F39T6AL 81F39T6BK 81F39T6WH | Matte Aluminum Matte Black Matte White | All Lytespan Track systems, Basic, Advent and Radius Track systems only. Not compatible with ProSpec track system. | 39W T6 G12 base Ceramic Metal Halide Not Included |
| 81F39T6SPCAL 81F39T6SPCBK 81F39T6SPCWH | Matte Aluminum Specular Reflector Matte Black Specular Reflector Matte White Specular Reflector | | |
| 81F39T6WRMAL 81F39T6WRMBK 81F39T6WRMWH | Matte Aluminum Warming Reflector Matte Black Warming Reflector Matte White Warming Reflector | | |

Features

- Track Attachment Fitting:** Molded polycarbonate. Integral color in gray, black or white. Rotates into track and locks into place with the use of push tab.
- Push Tab:** Molded polycarbonate. Locks and detaches unit.
- Track Adaptor Housing:** Die-cast aluminum
- Movable Contact:** Solid Brass. Extends for connection to 2nd circuit in Advent track.
- Ground Contact:** Solid brass
- Pivot Mounts:** Allows for 350° horizontal and 0-90° vertical rotation in both directions with tensioned mounts for controlled aim.
- Ballast Housing:** Extruded aluminum housing with die-cast aluminum covers.
- Lamp Housing:** Extruded aluminum housing with two die-cast end plates.
- Protective Glass:** .125" tempered glass

Accessories

Vertical Blade Louver 81LV6BK
Visor 81VZ6BK

Finish

All Painted finishes are baked powder or enamel.

Electrical

Metal Halide Electronic Ballast
.40A Maximum input current
45W Mmaximum input power
High power factor

Labels

cCSAus Listed, for dry locations only.

Job Information

Type:

Job Name:

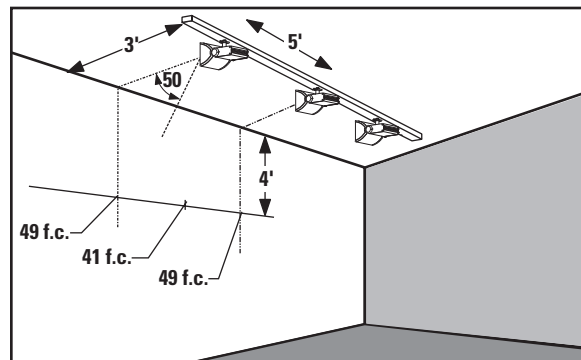
Cat. No.:

Lamp(s):

Notes:

Lighting Data – Specular Reflector

Footcandles on wall:



Lamp Information:

39W CDM T6 Single Ended Metal Halide. (Philips Elite)
 Initial Lumens: 3300
 CRI: 84, 4200K
 Rated Avg. Life: 9,000 - 15,000 hrs.

EXAMPLE: With track located 3' from wall and multiple units spaced 5' on center and aimed 50° from horizontal, the illumination on wall 4' from ceiling will be 49 f.c. beneath units and 41 f.c. between units.

Footcandles on Wall

| Track 3 Feet From Wall | | Single Unit | | | | | | Multiple Units | | | | | | | | |
|------------------------|----|---------------|----|----|----|----|----|----------------|-----|-----|-----|----|-----|-----|----|-----|
| | | 0' | 1' | 2' | 3' | 4' | 5' | 4' | | | 5' | | | 6' | | |
| Distance From Ceiling | | □ Beam Center | | | | | | | | | | | | | | |
| | 1' | 112 | 89 | 27 | 6 | 2 | 1 | 114 | 54 | 114 | 112 | 27 | 112 | 112 | 13 | 112 |
| | 2' | 97 | 93 | 38 | 11 | 3 | 1 | 103 | 78 | 103 | 99 | 40 | 99 | 97 | 22 | 97 |
| | 3' | 70 | 72 | 37 | 13 | 5 | 2 | 79 | 76 | 79 | 74 | 46 | 74 | 71 | 27 | 71 |
| | 4' | 43 | 46 | 29 | 13 | 5 | 2 | 54 | 60 | 54 | 49 | 41 | 49 | 45 | 27 | 45 |
| | 5' | 26 | 28 | 21 | 12 | 6 | 3 | 37 | 44 | 37 | 32 | 33 | 32 | 29 | 24 | 29 |
| | 6' | 16 | 17 | 15 | 10 | 5 | 3 | 27 | 32 | 27 | 22 | 25 | 22 | 19 | 20 | 18 |
| | 7' | 10 | 11 | 10 | 7 | 5 | 2 | 20 | 236 | 20 | 16 | 19 | 16 | 13 | 15 | 13 |
| | 8' | 7 | 8 | 7 | 6 | 4 | 2 | 15 | 17 | 15 | 12 | 14 | 12 | 10 | 12 | 10 |
| | 9' | 5 | 5 | 5 | 4 | 3 | 2 | 12 | 13 | 12 | 9 | 11 | 9 | 8 | 9 | 8 |

Footcandles are average and rounded off and data for multiple units are based on a minimum of five units.

For standard reflector multiply footcandles by 0.73
 For warming reflector multiply footcandles by 0.82
 For Philips Elite T6 lamp multiply footcandles by 1.1

| | |
|------------------------|--------------|
| Job Information | Type: |
|------------------------|--------------|