

Read and understand these instructions before installing luminaire (fixture) .

This luminaire is intended for installation in accordance with the National Electrical Code and local regulations. To assure full compliance with local codes and regulations, check with your local electrical inspector before installation. To prevent electrical shock, turn off electricity at fuse box before proceeding. Allow fixture to cool before handling.

Retain these instructions for maintenance reference.

INSTRUCTIONS FOR INSTALLING AND OPERATING 81F20T4, 81F39T4, 81F20BT, 81F35BT 81F39T45, 81F70T45, 81F39T6 81F70T6 MINI HID WALL WASHER LUMINAIRES. FOR USE WITH LIGHTOLIER LYTESPAN® TRACK SYSTEMS ONLY.

- Compatible with ceiling, wall and suspended mounted track. Compatible with Basic Monopoint 6190, Rectangular Monopoint 6170 and Multipoint 7619 Sold Separately.
- 81F20T4, 81F39T4, 81F20BT, 81F35BT, 81F39T45, and 81F70T45 are compatible with 81VZ4 Visor and 81LV4 Vertical Louver.
- 81F39T6 and 81F70T6 are compatible with 81VZ6 Visor and 81LV6 Vertical Louver.
- **CAUTION: HOT SURFACE.** Keep away from curtains and any other combustible materials.
- **CAUTION: DO NOT OPERATE ON A DIMMING CIRCUIT.**
- **CAUTION:** Turn power off and allow fixture to cool before handling.
- **CAUTION:** Use only lamp types and wattages specified on the luminaires lamp label.
- **CAUTION:** Do not operate without protective glass lens or if protective lens is damaged.
- Lamps are sold separately.

INSTRUCTIONS FOR ATTACHING LUMINAIRE TO TRACK.

1. Turn off power to TRACK.

A. ADAPTER: (BASIC TRACK), FIG.4

1. Insert the ADAPTER into the TRACK. LOCKING LEVER must be on the same side of track as Bead (FIG.1)
2. Rotate fixture ADAPTER 90° with the help of the BALLAST HOUSING until LOCKING LEVER snaps and locks in place (FIG.2)
3. To remove, depress LOCKING LEVER, then rotate ADAPTER 90° counterclockwise with the help of the BALLAST HOUSING (FIG.2)

B. ADAPTER: (ADVENT TRACK), FIG.5

TO POWER ON UPPER CIRCUIT :

1. Raise BRASS CONTACT to high position by pulling CONTACT as high as stop permits (See FIG. 3).
2. Follow instructions above for installing into track.

TO POWER ON LOWER CIRCUIT :

1. Ensure CONTACTS are at the same level. Push down BRASS contact if needed.
2. Follow instructions above for installing into track.

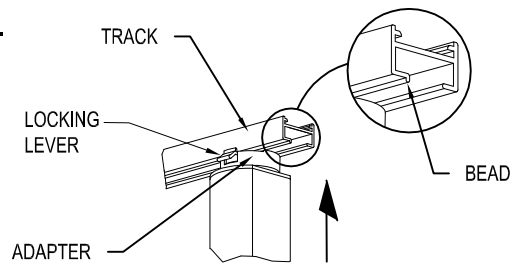


FIG. 1

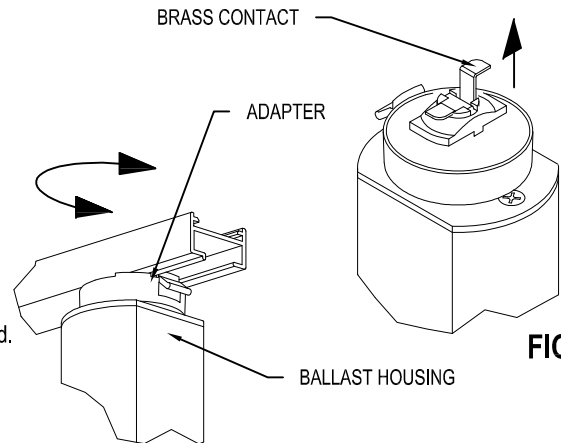
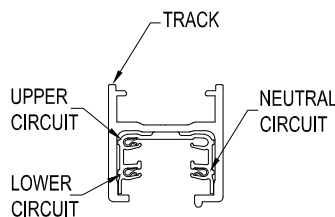
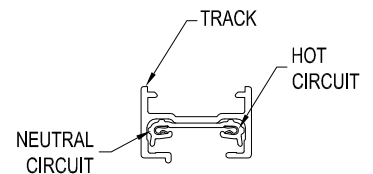


FIG. 3

FIG. 2



**FIG. 5
ADVENT TRACK**



**FIG. 4
BASIC TRACK**

INSTRUCTIONS FOR LAMPING.

1. Turn off power to TRACK
2. While holding HOUSING, push GLASS to the right and take out from Luminaire (FIG. 6)
3. Install proper lamp as specified on Luminaire lamp label into socket (FIG. 7, 8, 9, 10)
4. Install GLASS back into Luminaire by pushing GLASS into cavity.

INSTRUCTIONS FOR OPERATING LUMINAIRE.

1. Adjust VERTICAL and HORIZONTAL aim (FIG. 11).
Note: vertical and horizontal rotation have mechanical stops and locking feature. Do not force past stop.
2. Turn power on to track circuit.

