

READ AND UNDERSTAND THESE INSTRUCTIONS BEFORE INSTALLING FIXTURE

This fixture is intended for installation in accordance with the National Electric Code and local regulations. To assure full compliance with local codes and regulations, check with your local electrical inspector before installation. To prevent electrical shock, turn off electricity at fuse box before proceeding.

Retain these instructions for maintenance reference.

INSTRUCTION SHEET NO.

IS:26478

0126

Page 1 of 1

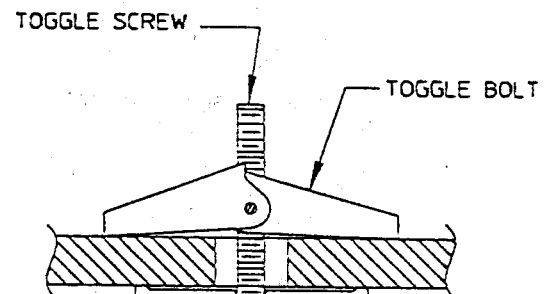
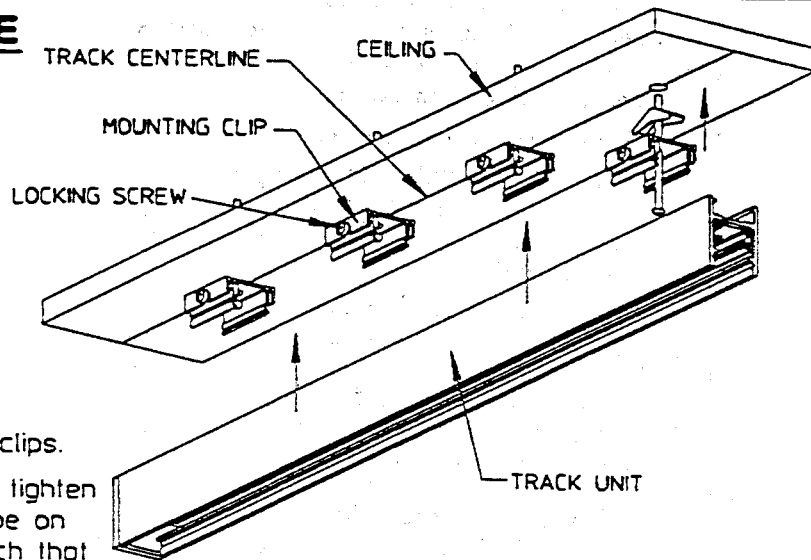
Installation Instructions for ProSpec™ Track Lighting 3/8" Stand Off Mounting Clips

- TURN POWER OFF AT FUSE BOX BEFORE INSTALLING or MAKING CHANGES TO THE TRACK SYSTEM.
- CLIPS CAN BE MOUNTED TO THE CEILING OR WALL.

INSTALLING CLIPS TO SURFACE

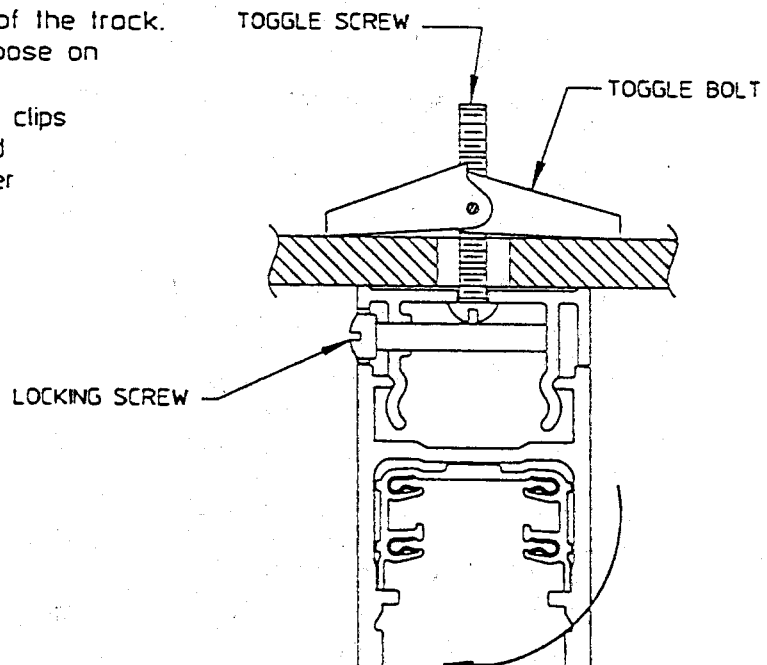
1. Mark centerline for track location.
2. Mark the centerline of each clip on the centerline for the track.
RECOMMENDED: (2) clips per 4' track, (3) clips per 8', and (4) clips per 12' track section. Additional clips can be used for more support if needed.
3. Drill holes at each clip centerline. If using the supplied toggles, a 3/8" DIA. hole is recommended.
4. Assemble TOGGLE SCREWS and BOLTS to clips.
5. Push TOGGLE THROUGH mounting hole and tighten TOGGLE SCREW. The clip centerline must be on the track centerline. Arrange the clips such that the LOCKING SCREWS are on the same side of the track. (Fig. 1). Ensure that the LOCKING SCREW is loose on each clip.

RECOMMENDED: WHEN WALL MOUNTING: use additional clips to support track. Clips must be mounted to a beam or structurally sound member when wall mounting.



INSTALLING TRACK ONTO CLIPS

1. Push track against clips until the track snaps onto the clip.
2. Track can slide on clips. Position the track as desired.
3. TIGHTEN ALL LOCKING SCREWS.



REMOVING TRACK FROM CLIPS.

1. TURN POWER OFF AT FUSE BOX.
2. Loosen ALL LOCKING SCREWS.
3. TWIST track to snap off of CLIPS.

TWIST TRACK TO REMOVE FROM CLIP.

LIGHTOLIER

FALL RIVER, MASS. 02720
MONTREAL, QUEBEC, CANADA