

**Catalog No.**

	Plain Track			Feed Track		
Finishes:						
Matte White	<b>4'</b> 26004WH	<b>8'</b> 26008WH	<b>12'</b> 26012WH	<b>4'</b> 26001WH	<b>8'</b> 26002WH	<b>12'</b> 26013WH
Matte Black	26004BK	26008BK	26012BK	26001BK	26002BK	26013BK

**Features**

- Track:** 6063T-5 structural aluminum extrusion; average wall thickness .08.
- Flush Mounting Clips:** spring steel. Black or white nylon coated to prevent rusting and marking ceiling. Furnished with track unit.
- Conductors:** "U" shaped copper conductor, increases contact surface area minimizes contact resistance provides reliable positive connection.
- Insulated liner:** .040" wall, high temperature extruded thermoplastic.
- Toggle Bolts and Screws:** furnished with track unit.
- Dead End Cap:** molded thermoplastic.
- Feed Track.**
- Plain Track.**
- Standoff Mounting Clip:** 1/16" extruded aluminum, one screw mounting, one screw tightening. 3/8" gap helps to compensate for ceiling irregularities. Provides rigid support for dense loading of track.
- Feed-in Connector Module:** included with feed track.
- Removable Hole Plug:** for surface feed 3/8" or 1/2" trade size connector.
- KO:** accepts, 3/8" or 1/2" trade connector for feed.
- Wire Cover:** molded thermoplastic.

**Mechanical**

Track units plug together and lock securely to prevent accidental separation. ProSpec track fixtures can be attached at any point along the track. Track units may be field cut.

**Electrical**

(2) circuits. Each circuit is 120V, 60Hz, 20 AMP compatible. Each circuit has dedicated neutral for maximum control flexibility. Track units are continuously grounded throughout. Electrical conductors are concealed in an insulated liner in the track. Intended for wiring to branch circuit building wire with ground, in accordance with National and local codes.

**Mounting**

**Surface:** ProSpec track can be surface mounted either flush to a surface or with clips

1/16" clips are provided with the track and space the track 1/16" from the ceiling.

3/8" standoff clips can be ordered separately. These space the track 3/8" from the ceiling, provide a rigid support and a pleasing appearance on uneven ceilings.

**Stem:** ProSpec track can also be suspended from horizontal surfaces or sloped surfaces. Stems can be field cut to provide any length from a surface with a maximum length of 3".

A sloped surface (ceiling) adapter is available to allow the track to hang vertically with the track opening horizontal to the floor.

**Finish**

All painted finishes are baked enamel.

**Label**

UL, I.B.E.W

Job Information	Type:
<b>Job Name:</b>	
<b>Cat. No.:</b>	
<b>Lamp(s):</b>	
<b>Notes:</b>	

## Track Mounting and Power Feed Systems

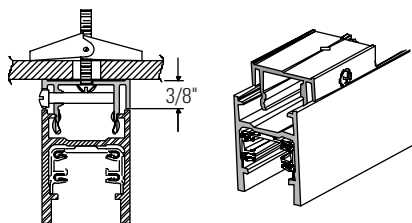
### Track Mounting Clips

3/8" Standoff Clips, order separately. Recommended 2 clips per 4', 3 clips per 8', 4 clips per 12' track units. Use additional clips for more support in high load applications. Toggle bolts are included.

*Not recommended for wall mounting.*

**26478WH** Matte White (4) per pack.

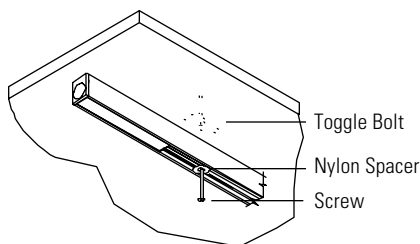
**26478BK** Matte Black (4) per pack.



### Direct Mounting

Toggle bolts and nylon insulators are furnished with Track, two per 2' and 4' track, three per 8' and (4) for 12' track. Mount through existing holes in track. Top of track sits flush to ceiling.

*Recommended for wall and ceiling mounting.*



### 1/16" Flush Mount Clips

Nylon coated spring steel included with track units. Spaces track 1/16" from ceiling. Recommended 2 per 4', 3 per 8', and 4 per 12' track sections. Use additional clips for more support when track is heavily loaded. Clips may be ordered separated.

*Not recommended for wall mounting.*

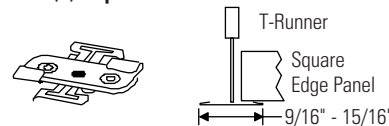
**56451WH** Matte White (set of 10)

**56451BK** Matte BK (set of 10)

### Grid Ceiling Mounting Clips

Square Edge Panels and 9/16" - 15/16" T-Bars Clip is supplied assembled. Mounts easily onto T-Bars by rotating clips. Use two per 4' track, three per 8' and 12" track.

**6089 (9) Clips**

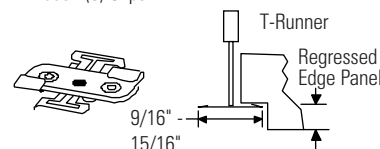


### Regressed Edge Panels

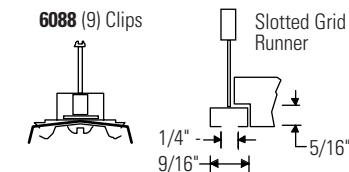
**9/16" - 15/16" T-Bars**

Clips are supplied assembled. Mounts easily onto T-Bars by rotating clips. Use two per 4' track, three per 8' and 12' track.

**6087 (9) Clips**

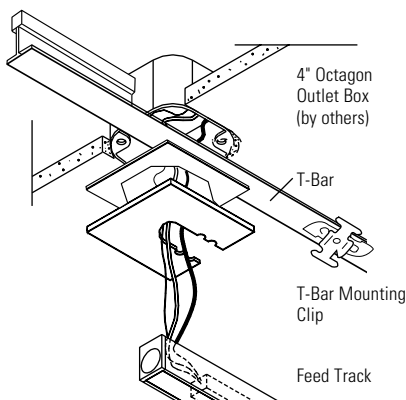


**6088 (9) Clips**



### Grid Ceiling Canopy Kit (End & Floating)

For mounting the track to grid suspended ceilings. Mounts to ceiling types shown above using clips 6087, 6088, or 6089 which are ordered separately. Includes a special outlet box to fit onto runners. Power can be fed to Feed Track, Live End, "L", "T", "X", and In-Line connectors. Mounts along runner or at the intersection of runners.



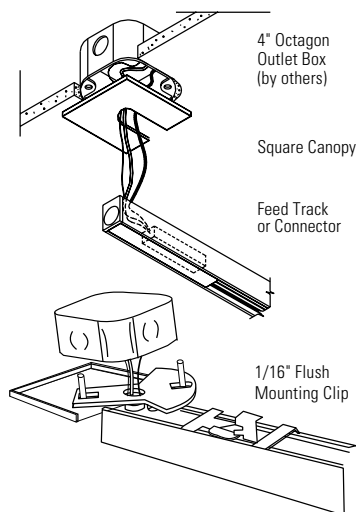
**26096WH** Matte White

### Surface Canopy Kit (End & Floating Feed)

Canopy can be mounted directly over the end of the feed track, power extension, in-line, 'L', 'T', and 'X' connectors. Canopy also can be positioned anywhere on the track up to 4' from the edge of the track extrusion (floating feed, wire cover included). Power can be fed into feed track, power extension, in-line, 'L', 'T', and 'X' connectors when utilizing the floating feed option. Canopy mounts to a 4" octagonal outlet box. Use 1/16" flush mounting clips (supplied with track) or direct mount to ceiling or wall.

**26060WH** Matte White

**26060BK** Matte Black

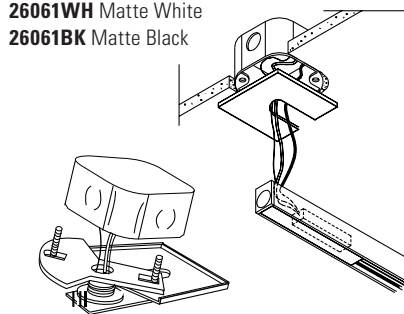


### Standoff Canopy Kit (End & Floating Feed)

For use with 26478WH, BK 3/8" standoff mounting clips (ordered separately). Canopy can be mounted directly over the end of the feed track, power extension, in-line 'L', 'T', and 'X' connectors. Canopy also can be positioned anywhere on the track up to 4' from the edge of the track extrusion (floating feed, wire cover included). Power can be fed into feed track, power extension, in-line, 'L', 'T', and 'X' connectors when utilizing the floating feed option. Canopy mounts to a 4" octagonal outlet box.

**26061WH** Matte White

**26061BK** Matte Black



**Job Information**

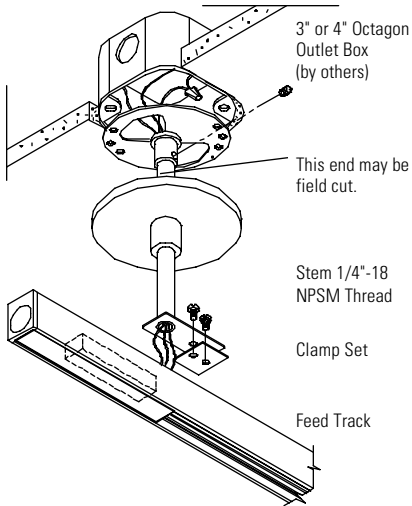
**Type:**

## Track Mounting and Power Feed Systems

### Stem Mounting Kits

Mounts to a 4" Octagon outlet box. Use two per 4' track, three per 8' and 12' track. When making a run of track do not exceed 4' between stems. Use additional stems for additional support. Power is fed to the track with the stem closest to the track feed-in point. For power feed to Feed Track and Live End, "L", "T", "X", In-line connectors. Stem can be field cut. *Not recommended for wall mounting.*

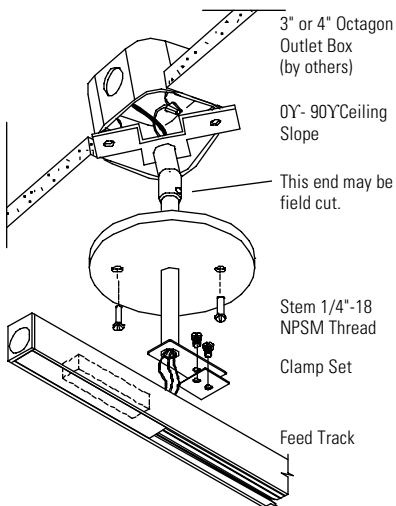
	18" Stem	48" Stem
Actual length for ceiling to top of track:	17 3/8"	47 3/8"
Matte White	<b>7584</b>	<b>7586</b>
Matte Black	<b>7683</b>	<b>7681</b>



### Swivel Stem Mounting Kits

Adjusts from 0° to 90°. Can be field cut. 48" stem.

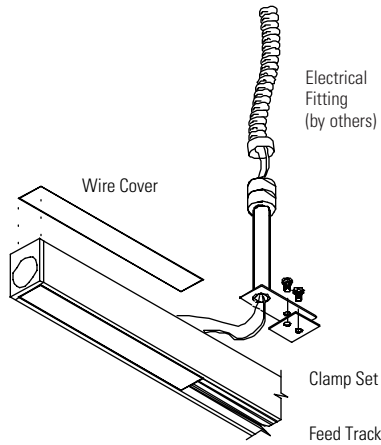
<b>7480</b> Matte White
<b>7481</b> Matte Black



### Floating Invisible Feed

Can be mounted anywhere along the track at a maximum distance of 4' from edge of track extrusion. Accepts conduit or cable with 3/8" or 1/2" electrical connector (by others). Can be used with Feed Track, Live End, "L", "T", "X", and In-line connectors. Use Track Mounting Clips to mount the track.

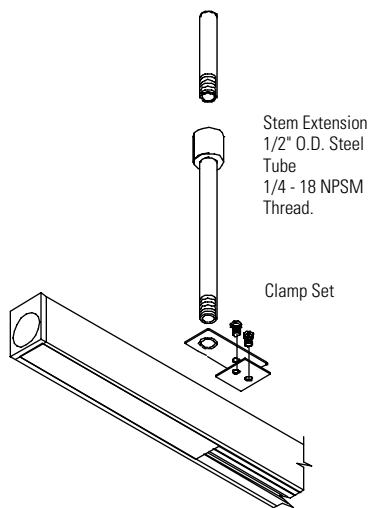
**26082** Zinc Plated



### Stem Extension Kit

Mounts to any system kit to extend its length to 48". *Cannot be field cut.*

<b>7582</b> Matte White
<b>7680</b> Matte Black

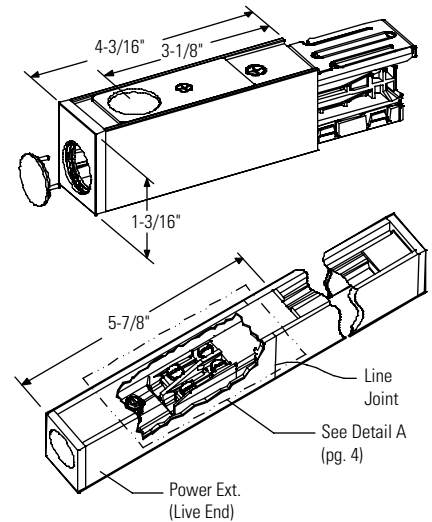


### Power Extension Connector (Live End)

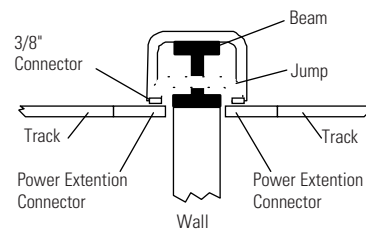
Replaces Dead End Cover at end of track to permit power continuity around structural obstructions to another track section. Not polarized. Can be fed directly from surface or from ceiling using a 3/8" or 1/2" electrical connector (by others).

**26046WH** Matte White

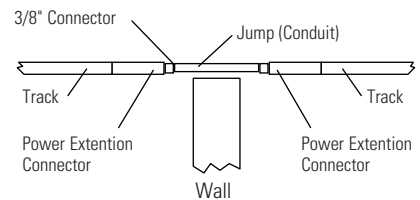
**26046BK** Matte Black



### Over Beam or Through Beam



### Through Wall or Column



**Job Information**

**Type:**

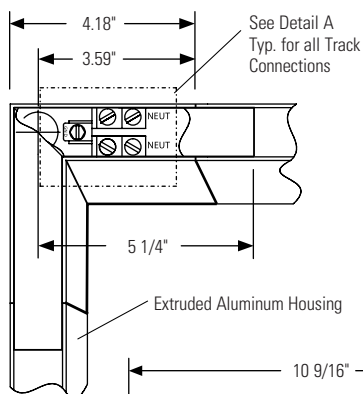
## Feed Connections for Surface and Stem Mounted Patterns

All connectors can be fed directly from above using a 3/8" or 1/2" electrical connector (by others).

### "L" Connector

The "L" connector is pre-wired. Not polarized.

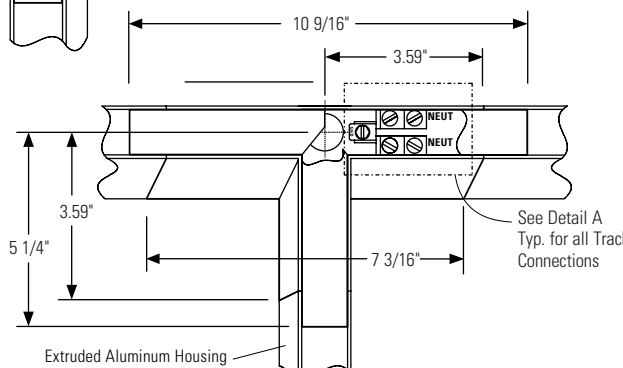
**26050WH** Matte White  
**26050BK** Matte Black



### "T" Connector

The "T" connector is not pre-wired or polarized. Used to make "T" pattern with track. 12ga. copper jumper wires supplied to make all necessary connections.

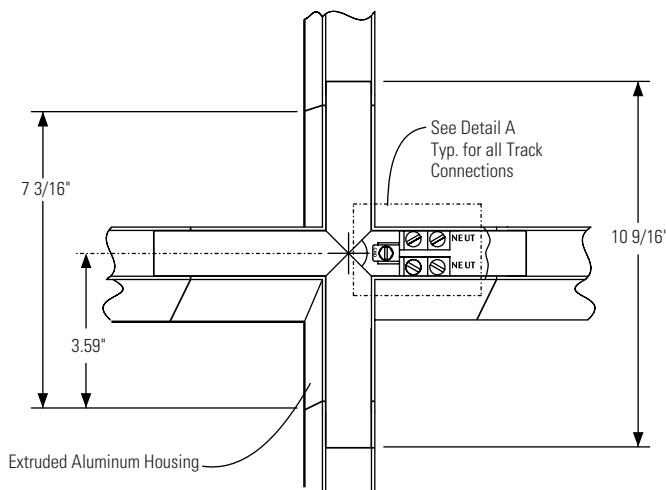
**26051WH** Matte White  
**26051BK** Matte Black



### "X" Connector

The "X" connector is not pre-wired. Used to make "X" pattern with track. 12ga. copper jumper wires supplied to make all necessary connections. Not polarized.

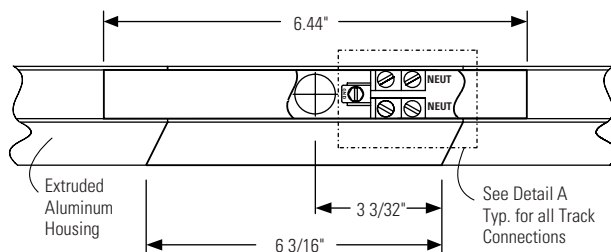
**26052WH** Matte White  
**26052BK** Matte Black



### In-Line Connector

Permits power feed-in between track units in a straight run of track. The "In-Line" connector is pre-wired. Not polarized.

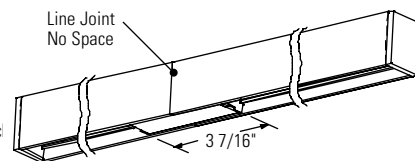
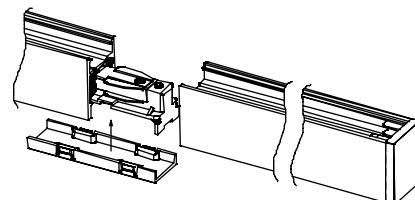
**26054WH** Matte White  
**26054BK** Matte Black



### Mini-Coupler

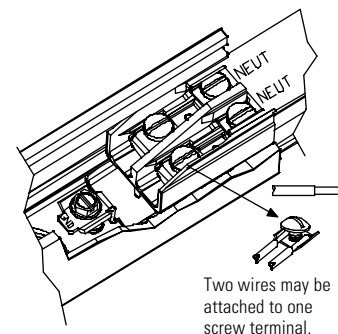
Used to connect two pieces of track together mechanically and electrically. Power cannot be feed into the mini-coupler.

**26049WH** Matte White  
**26049BK** Matte Black



### Detail A

Use 12ga. solid copper wire for feed connections including ground.



### Job Information

Type: