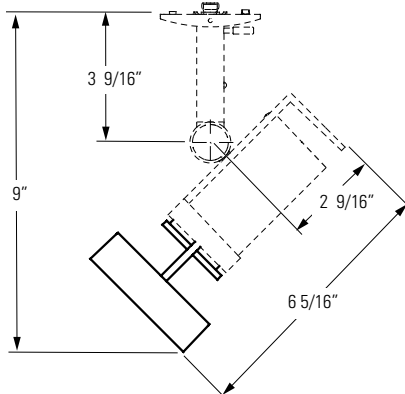
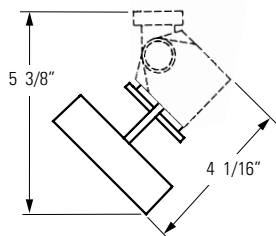


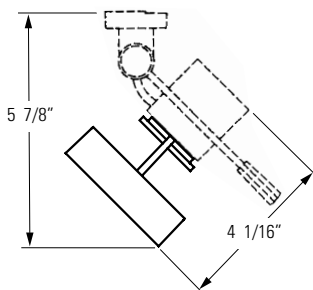
Ring PAR20 with Metallics™ Incandescent/Halogen Fixtures 8701 & 28701 (ProSpec)



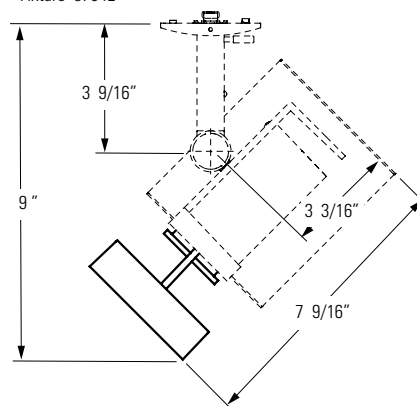
Ring PAR20 with Par-Tech® Incandescent/halogen Fixture 8201



Ring PAR20 with Par-Tech® Incandescent/halogen Fixture 8202



Ring PAR20 with Metallics™ Electronic Metal Halide Fixture 8704E



Ordering Information

Catalog No.	Finishes	Lamps
8228 WH	Matte White	INCANDESCENT: PAR20 50W Max. (When used on fixtures 8201, 8202, 8701, & 28701) METAL HALIDE: PAR20 39W (When used on fixture no. 8704E)
8228 TM	Dark Titanium	
8228 NM	Natural Metal	
8228 BK	Matte Black	

Features

- Shade:** Die-cast aluminum.
- Neck Flange:** Cold rolled steel, zinc-plated. Used to attach shade to fixture, without tools.
- Groove:** To connect optional Accessory Holder to shade.

Options and Accessories

PAR20 Accessory Holder (8582) & Accessories (AF25 & AF25HC Series). Order separately (See Lightolier Specification Sheet 8582).

Finish

All painted finishes: White, Titanium, or Black baked enamel. Natural Metal is Brushed Metal with protective Clear Coat.

Labels

UL, I.B.E.W.

Job Information	Type:
Job Name:	
Cat. No.:	
Lamp(s):	
Notes:	

Lightolier a Genlyte Thomas Company www.lightolier.com
 631 Airport Road, Fall River, MA 02720 • (508) 679-8131 • Fax (508) 674-4710
 We reserve the right to change details of design, materials and finish.
 © 2002 Genlyte Thomas Group LLC (Lightolier Division) • A0902

LIGHTOLIER®