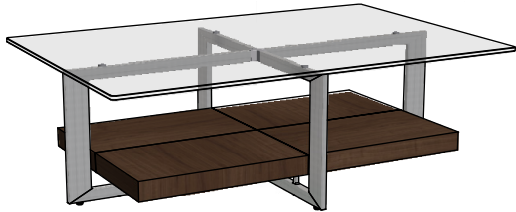
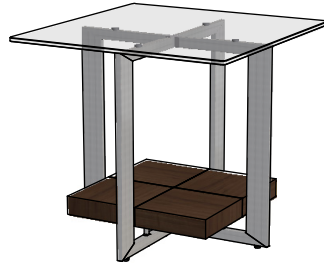


Placement and Maintenance

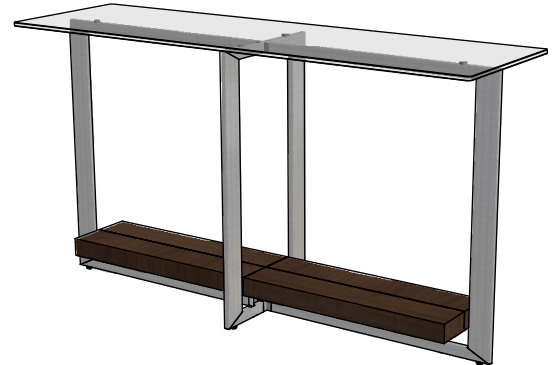
TRVERSE tables are designed for indoor use on level floors. Clean glass with glass cleaner, and wood veneer with a moist cloth.



Traverse 1242 Rect Coffee Table



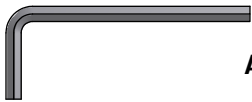
Traverse 1246 End Table



Traverse 1248 Console Table

Component List

TRVERSE tables are engineered for easy assembly. Carefully follow this procedure to prevent any damage. Unpack and identify the components. The assembly workspace should be a non-marring surface such as clean carpet. For missing hardware pieces, please contact BDI Customer Service at customerservice@bdiusa.com. For all other concerns, please contact your BDI Retailer.



A - 4mm Hex Wrench x 1



B - 1/4-20 x 19mm Screws x 8
To attach Hubs



C - 1/4-20 x 89mm Screws x 4
To attach Legs to Shelf



D - 1/4-20 x 32mm Screws x 4
To attach Glass to Legs



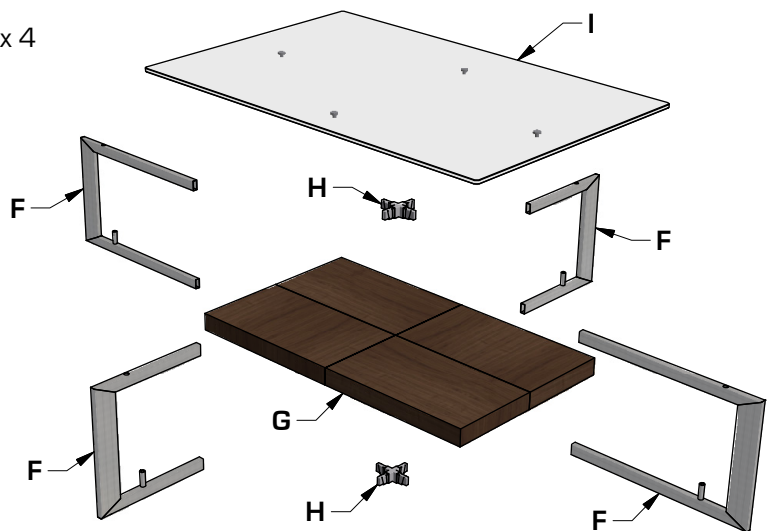
E - M6 Leveler x 4

F - Legs x 4

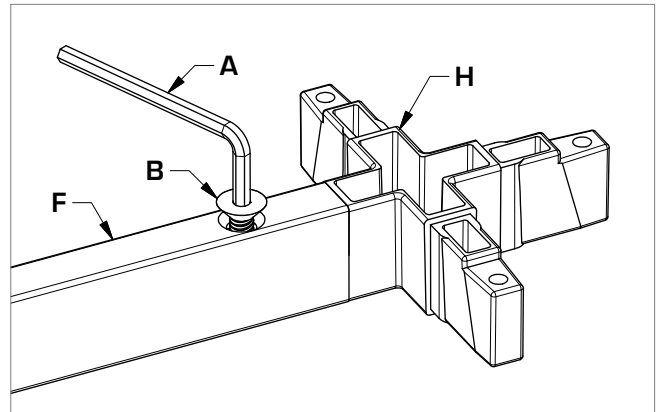
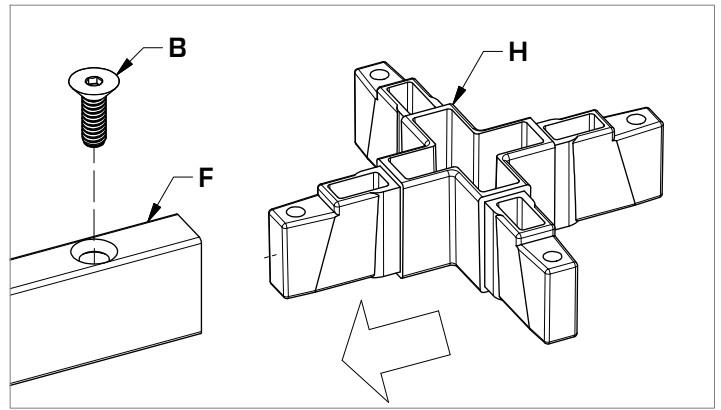
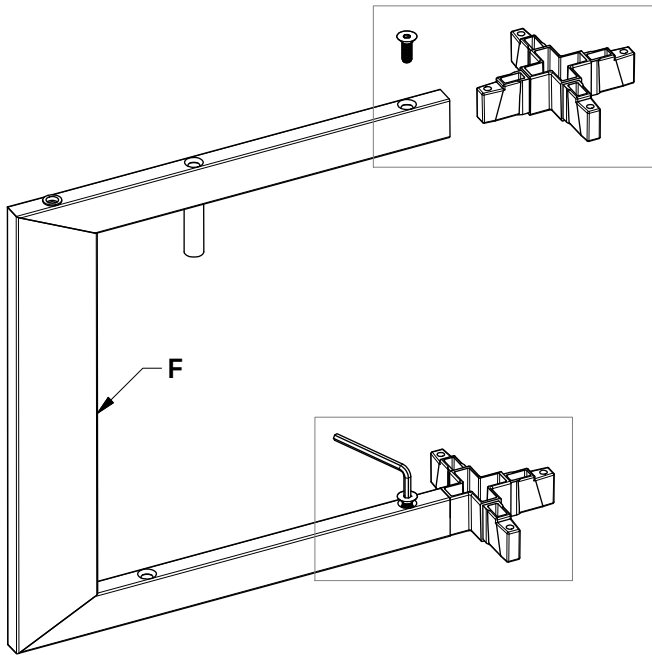
G - Shelf x 1

H - Hubs x 2

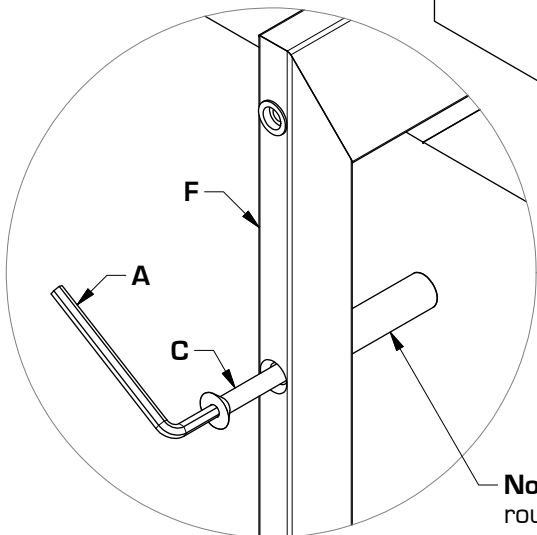
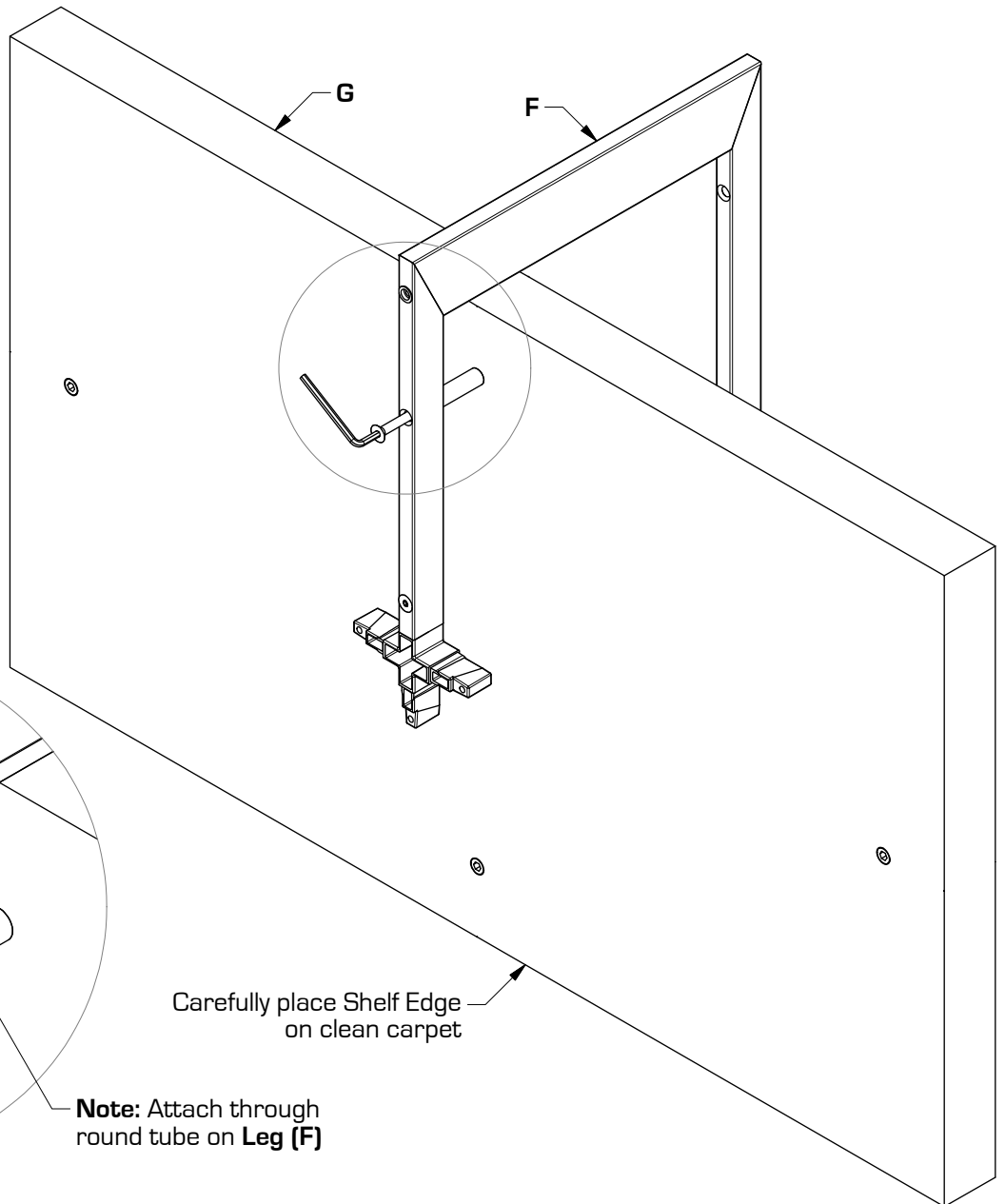
I - Glass x 1



Step 1
Attach Hubs to 1 Leg with Screws (B)
 and tighten using Hex wrench.
Note: 1242 and 1248 attach hubs to shorter legs first.

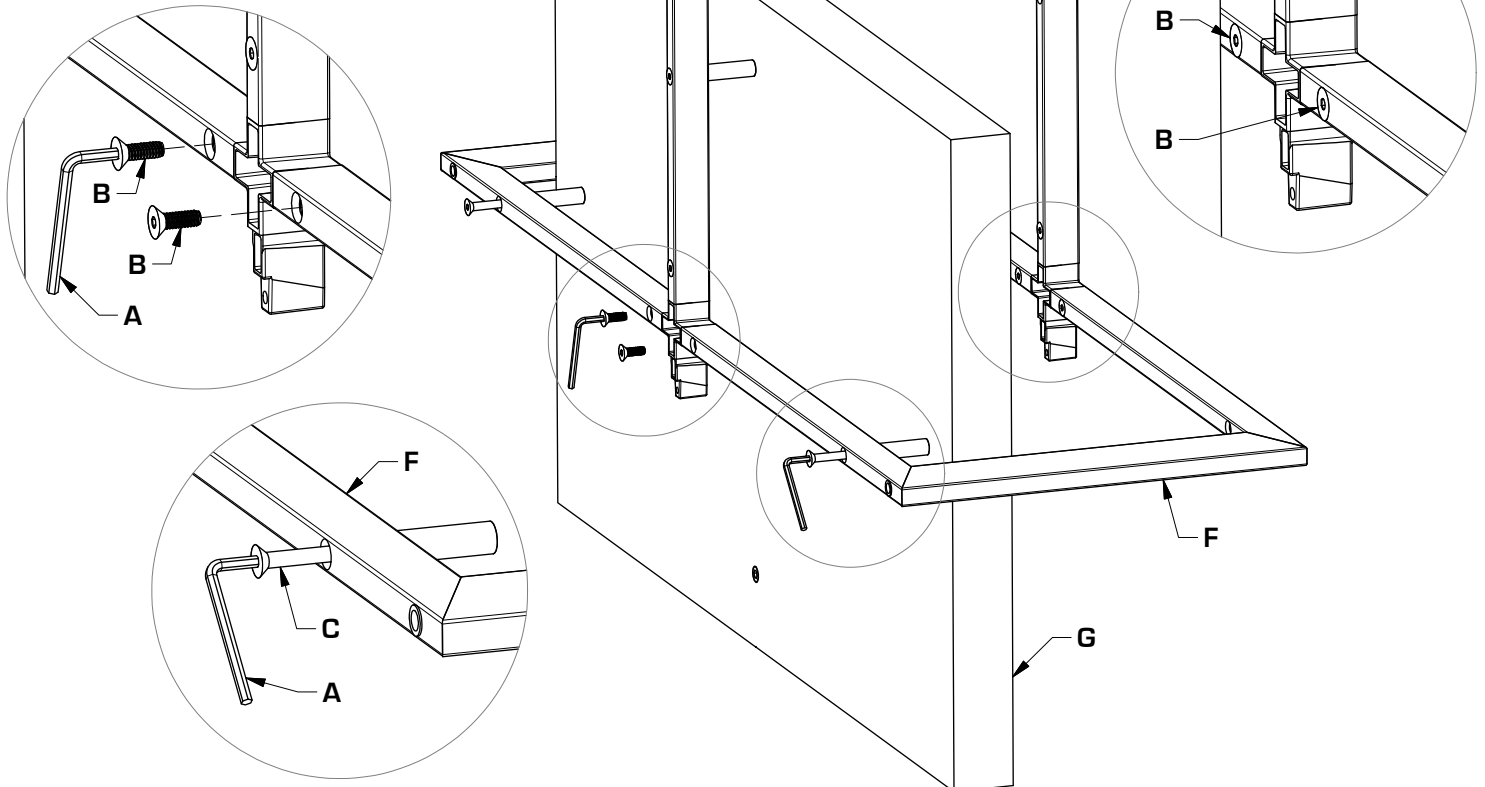


Step 2
Attach 1 Leg to Shelf with Screw (C)
 and tighten with Hex Wrench (A).
Note: Attach through round tube on Leg (F).

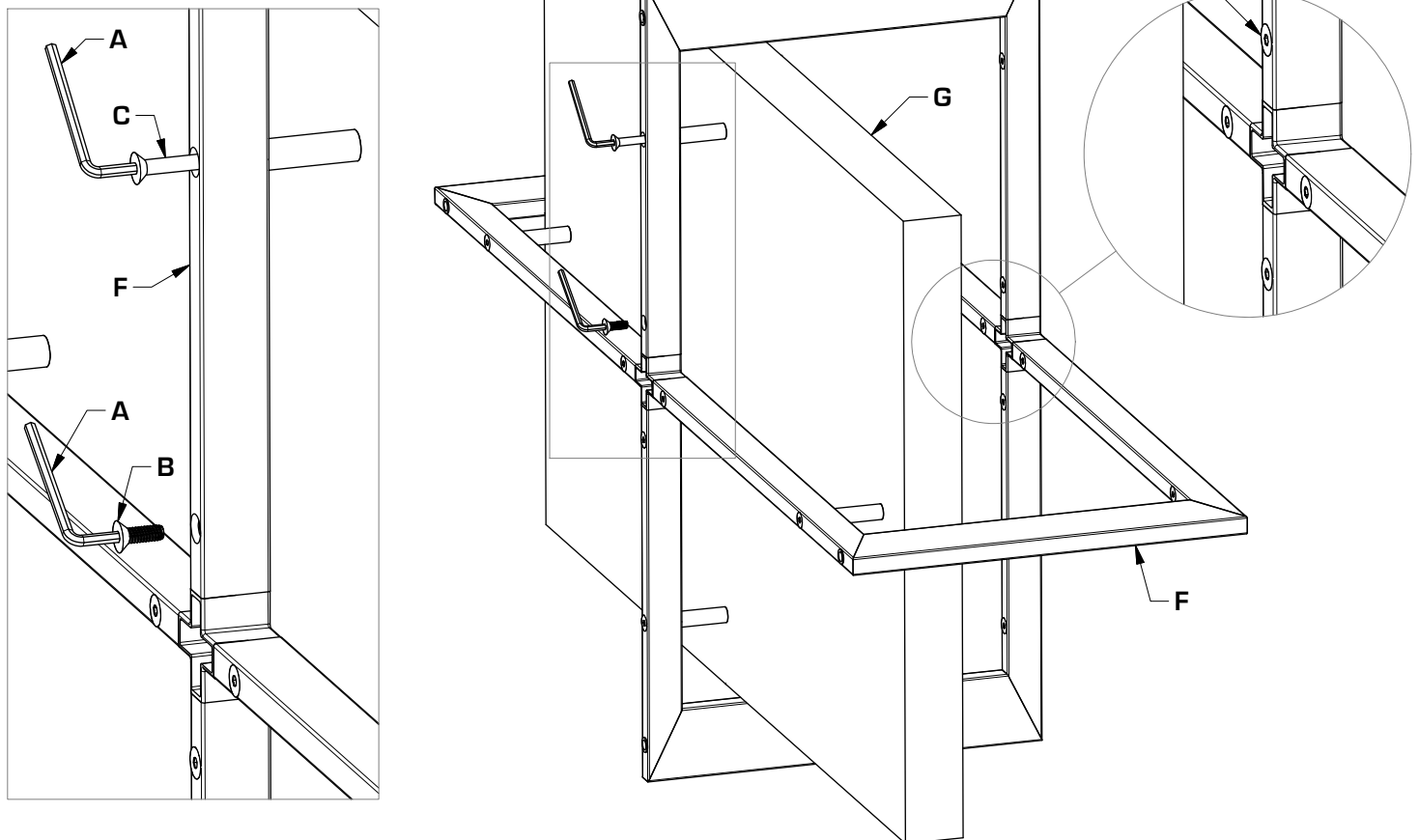


Note: Attach through round tube on Leg (F)

Step 3
Attach 2nd and 3rd Legs
 Using **Screws (B)** for **Hubs (H)** and using **Screws (C)** for **Legs (F)** and tighten with **Hex Wrench (A)**.



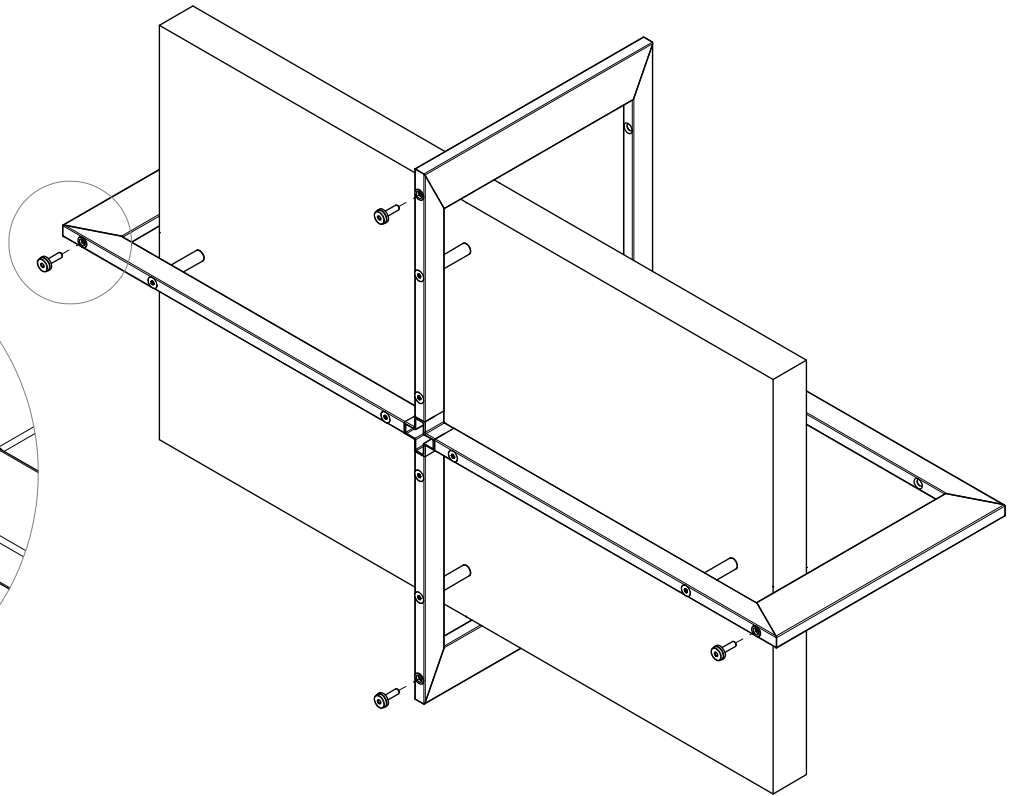
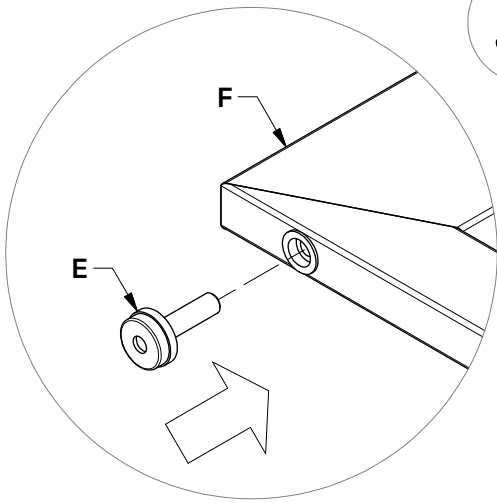
Step 4
Attach 4th Leg with Screws (B) for Hubs (H) and Screw (C) for Leg (F)
 and tighten using **Hex Wrench (A)**.



Step 5

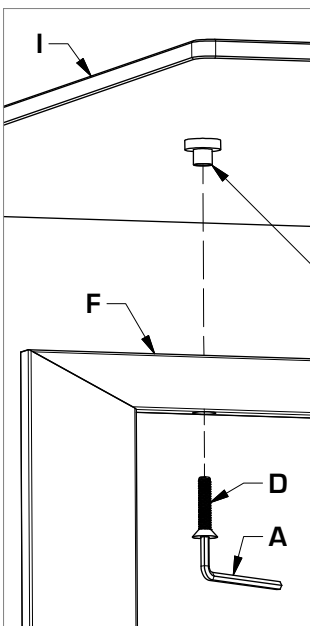
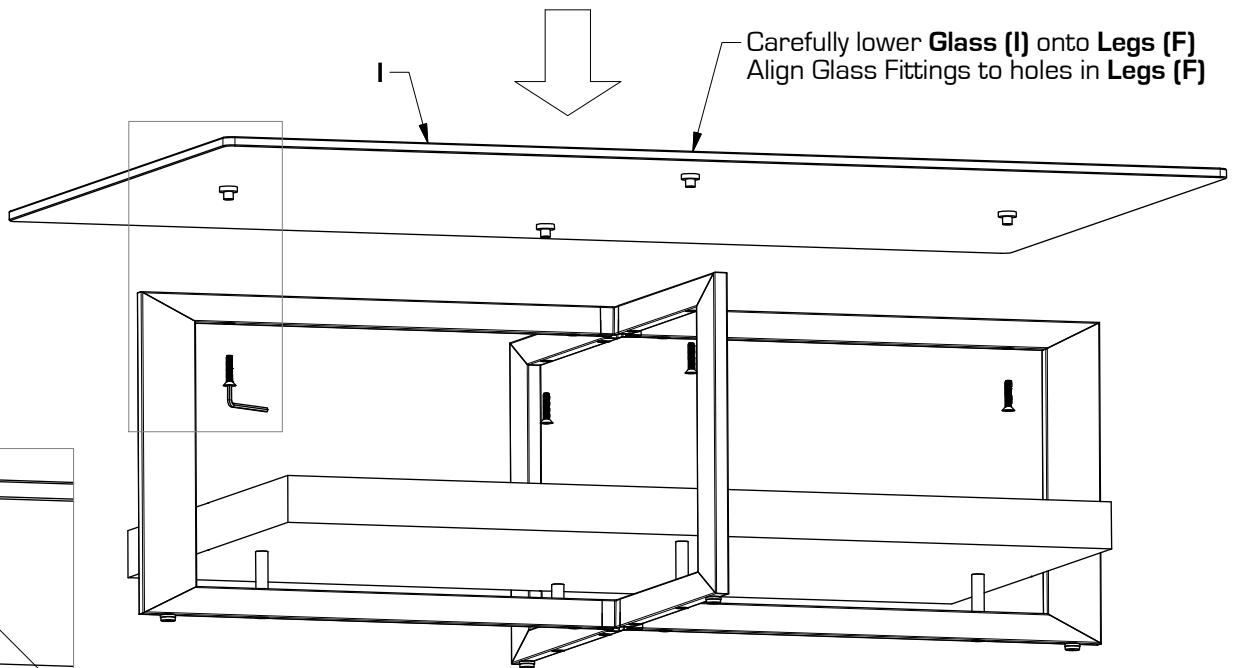
Install Levelers into Legs

After all **Levelers (E)** are installed, place table in desired position, adjust levelers as necessary.



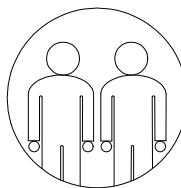
Step 6

Attach Glass (I) using Screws (D) and tighten with Hex Wrench (A).



Align Glass Fittings to holes in **Legs (F)**

Start all **Screws (D)** before tightening



Recommended 2-person Step