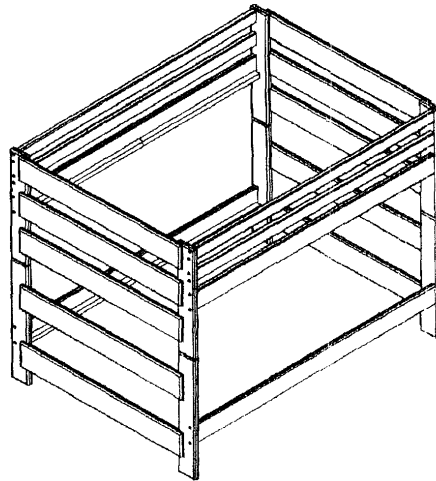




4861/4862

COASTER TETON FULL/FULL BUNK

7030-00396



PARTS LIST:

- A) 32-4 1/4" Lag Bolts
- B) 32-Black Steel Washers
- C) 2 -Bottom End Assemblies
- D) 2 -Top End Assemblies
- E) 4 -5 1/4" x 75" Mattress Rails w/Support Cleats
- F) 4 -3 1/4" x 75" Guard Rails
- G) 4 -1/2" x 3" Wooden Dowels
- H) 6 -3 1/2" x 53 1/2" Mattress Supports
- I) 12-1 1/4" Wood Screws

TOOLS REQUIRED:

- 1) 7/16" Wrench or Socket Wrench
- 2) Phillips Head Screwdriver

NOTE: Tool recommended: Electric driver with 7/16" socket

ASSEMBLY INSTRUCTIONS:

NOTE:

Make sure you have all parts before beginning assembly. If you need a part, contact the dealer where you purchased your bed.

- 1) Attach two mattress rails(E) to two bottom end assemblies(C) with 8 lag bolts and 8 washers, and tighten.
- 2) Attach two mattress rails(E) and four guard rails(F) to top end assembly(D) with 24 lag bolts and 24 washers, and tighten.
- 3) Place four wooden dowels in the four holes in top edge of bottom bunk assembly.
- 4) Place the top bunk assembly on the bottom bunk assembly, ensuring that the dowels are inserted in holes in the top bunk assembly.
- 5) **Place 6 mattress supports on mattress rail support cleats on both bed assemblies, with one support in the center, and a support pushed tightly against each end assembly.**
- 6) **Secure mattress supports with 12 wood screws.**
- 7) Add bunk boards or slat kits and the proper thickness innerspring bunk mattresses. See dealer for details.