

Assembly Instructions

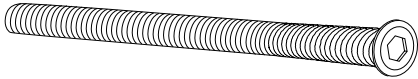
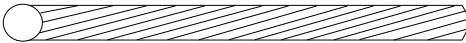



This booklet contains instructions for all Nurseryworks products. Please locate the appropriate instructions for the product that you have ordered. Each page contains a diagram of hardware with instructions. Please note that the hardware is labeled with a letter and number: The letter is the type of hardware, (AX) and the number is the amount of pieces that are needed to put together the item (AX4).

Congratulations!

You are now the owner of a Nurseryworks product...a line of modern baby furniture that redefines the nursery. Nurseryworks' products are designed with both style and functionality in mind, and we hope it becomes a source of pleasure for you and your family. Quality material, workmanship and pride have gone into these products. Proper assembly is important to ensure a safe and comfortable end result for your baby. Please read all instructions before assembly, and keep instructions for future use.



Hardware and Tools List

Hardware	Ref.No	Description
	A	Screw (50mm)
	B	Dowel (60mm)
	C	Bracket
	D	Screw
	E	Wrench

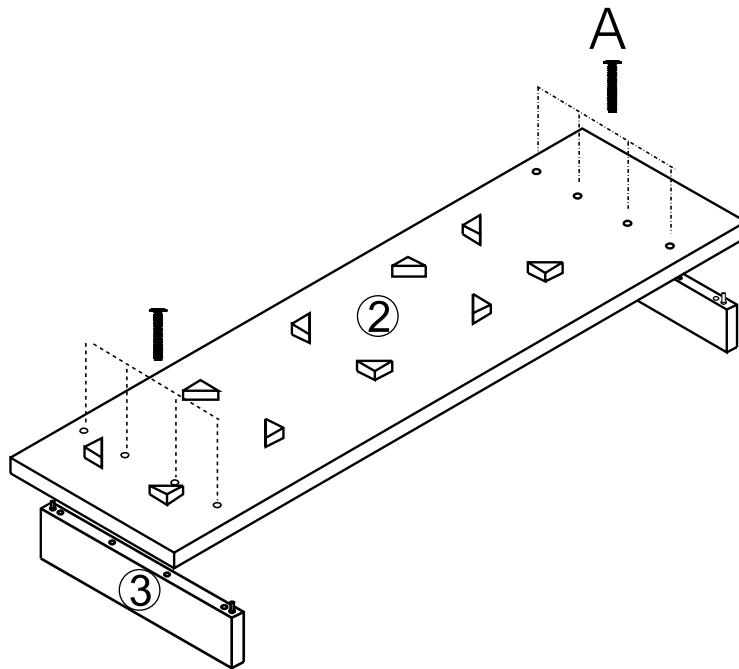
Please note that screw D requires a Phillips Head Screw driver which is not provided.

3-Wide Dresser Assembly Instructions

A  × 8

B  × 4

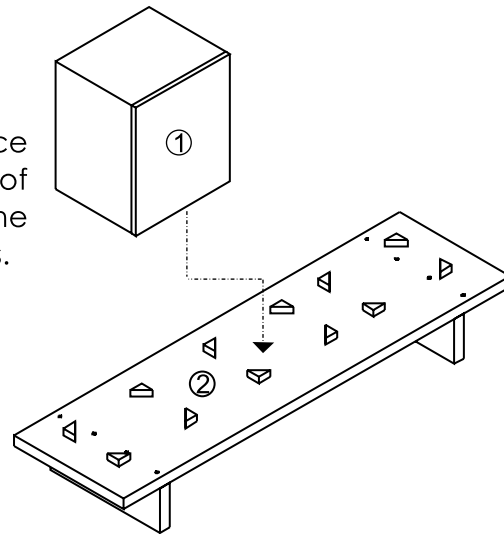
E  x1



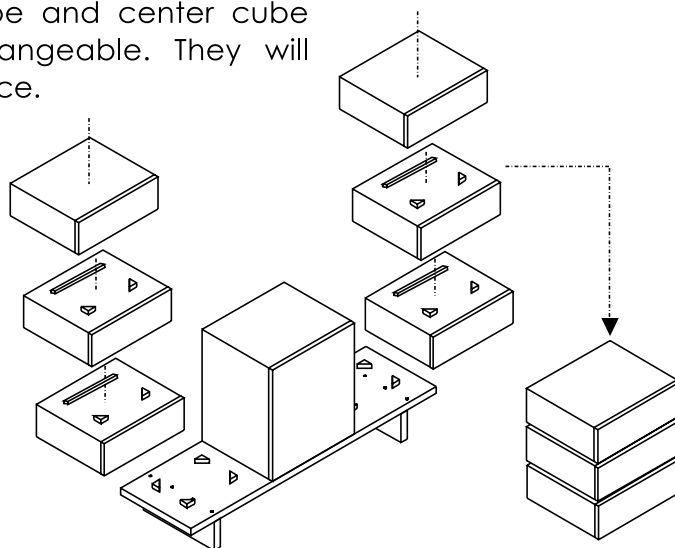
Step1. Affix the legs ③ onto the platform ② by inserting 2 of wood dowels B into the legs and into the pre-drilled holes of the platform. Insert the A screws in the platform, connecting it to the legs. Tighten with E wrench.

3-Wide Dresser Assembly Instructions

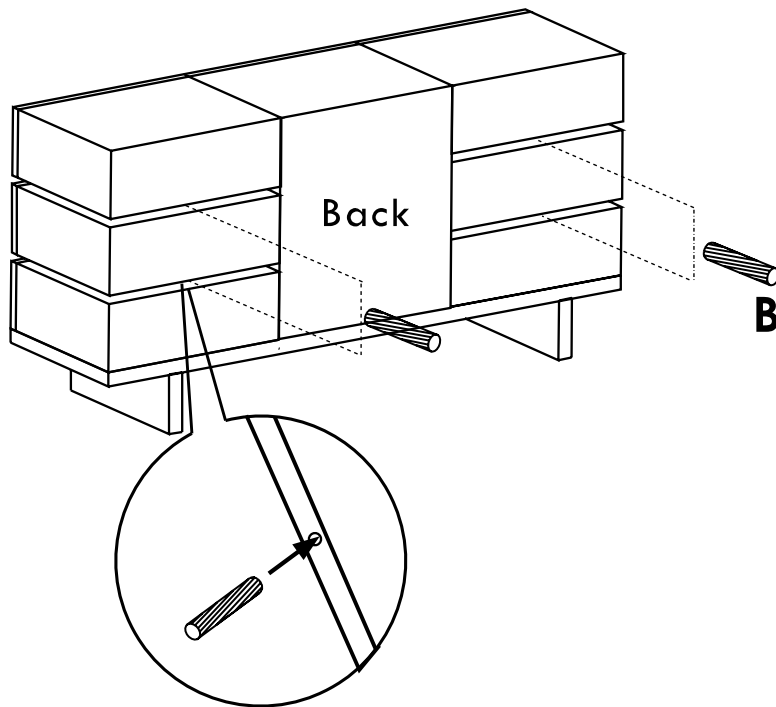
Step2. Facing platform, place cube ① in the middle of platform, setting it into the grooves as picture indicates.



Step3. As picture illustrates, stack cubes on top of each other. The bottom cube and center cube are interchangeable. They will lock into place.


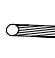
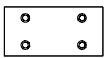




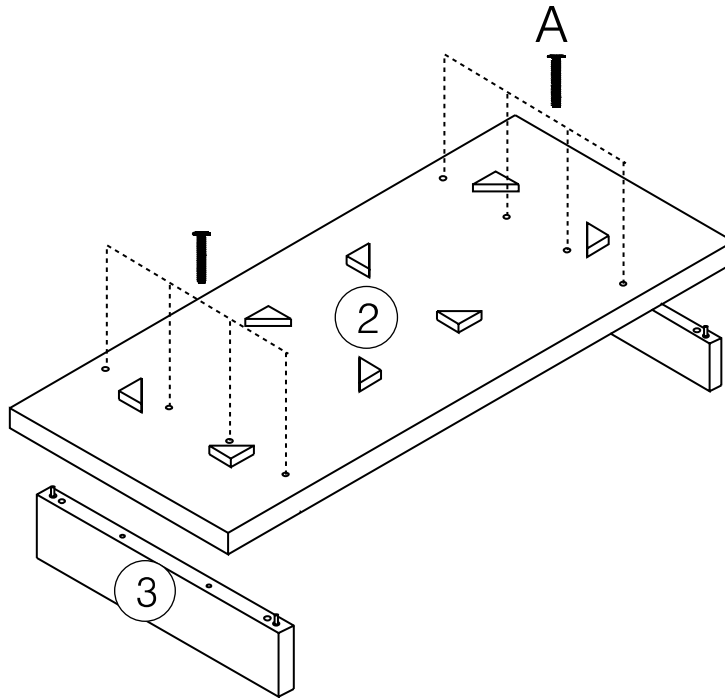
3-Wide Dresser Assembly Instructions



Step4. To connect drawers together, insert dowels **B** into the holes in between the drawers.

2-Wide Changer Assembly Instructions

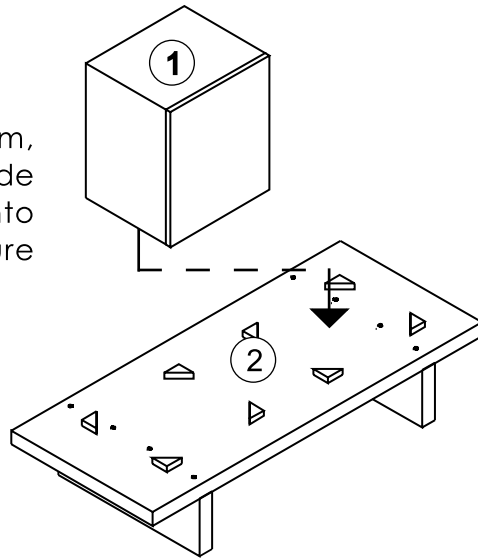
A  × 8 B  × 2 C  × 2 D  × 8 E  x1



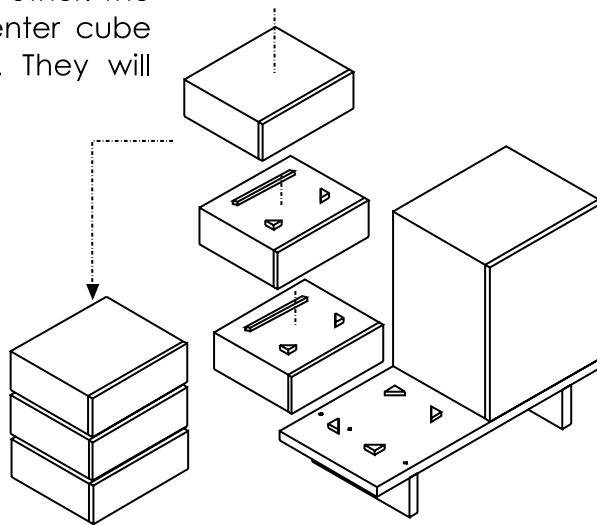
Step 1. Affix the legs (3) onto the platform (2) by inserting 2 of wood dowels B into the legs and into the pre-drilled holes of the platform. Insert the A screws in the platform, connecting it to the legs. Tighten with E wrench.

2-Wide Changer Assembly Instructions

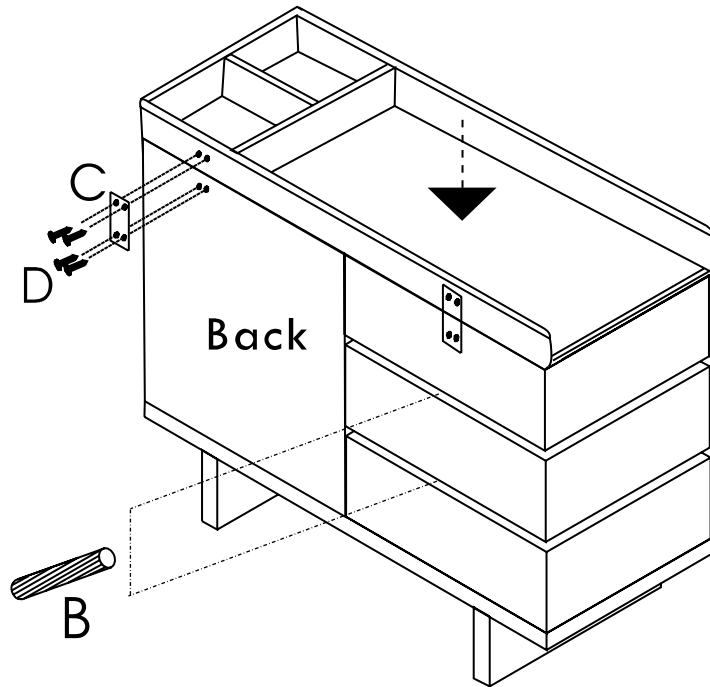
Step2. Facing platform, place cube ① on right side of platform, setting it into the grooves as picture indicates.



Step3. As picture illustrates, stack cubes on top of each other. The bottom cube and center cube are interchangeable. They will lock into place.



2-Wide Changer Assembly Instructions




Step4. To connect top tray, place tray on top of changer, lining up the small screw holes on the back. Identify the 2 **C** brackets, and screw the bracket into the holes with **D** screws. Tighten with a Phillips Head screwdriver, locking tray on top of changer.

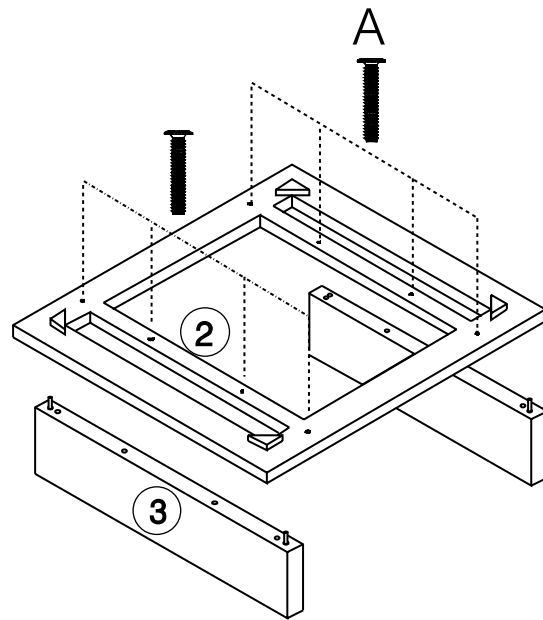
To connect drawers together, insert dowels **B** into the holes in between the drawers.

Square Changer Assembly Instructions

A  × 8

B  × 4

E  × 4

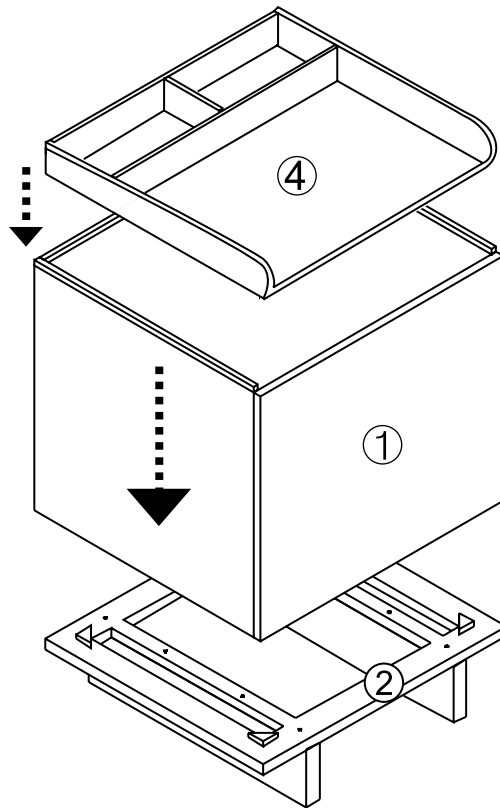


Step1. Affix the legs (3) onto the platform (2) by inserting 2 of wood dowels B into the legs and into the pre-drilled holes of the platform. Insert the A screws in the platform, connecting it to the legs. Tighten with E wrench.

Square Changer Assembly Instructions

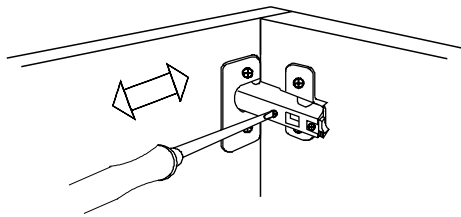
Step2. Put the cube ① onto the platform ② as indicated.

Put the tray ④ on top of the cube ①.

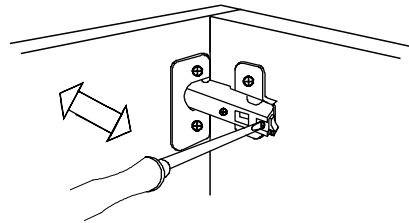


Door Adjustment

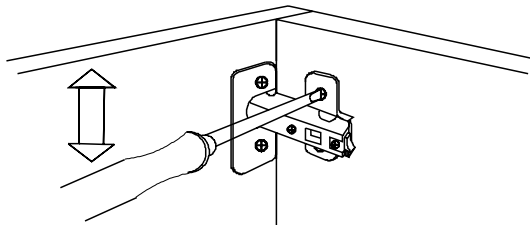
If you find that the door is not lining up evenly, below are some suggestions for how to adjust the door accordingly.



Lateral adjustment by adjusting screw.



Depth adjustment after loosening the hinge arm mounting screw.



Vertical adjustment via mounting plate (via slot*) or, if in two pieces, via screw.

PLEASE READ

Nurseryworks furniture is lacquered with paint that exceeds all ASTM standards for infant furniture. Even though you may experience an odor from the lacquer when the piece is unpacked, this odor is not dangerous and will subside over time. We suggest airing out the drawers and cabinets before use.
